

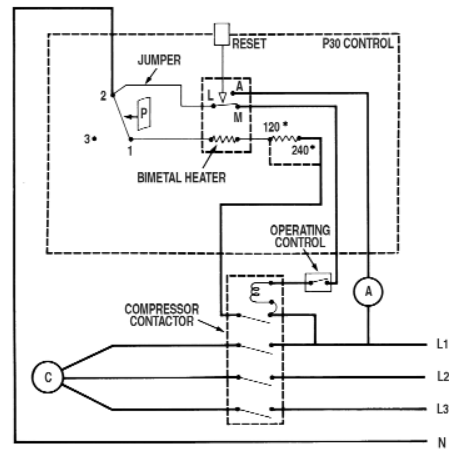
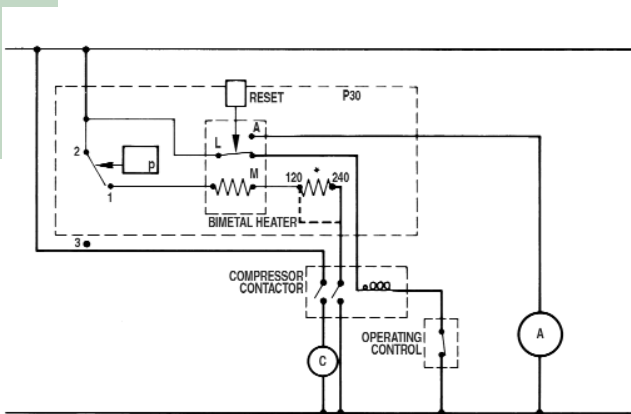


Applications

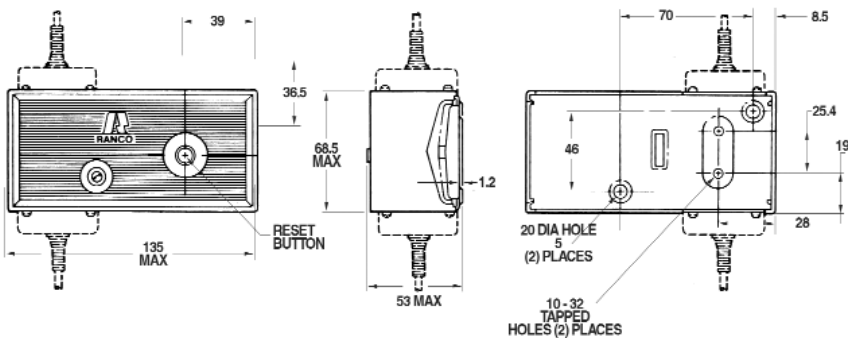
The P30 oil differential pressure Switch is for use with all refrigeration with compressors using external oil pumps with refrigerants. It protects the compressor against loss of lubricating oil pressure which could otherwise cause severe bearing damage resulting in a compressor breakdown. Connected to the crankcase and oil pump by capillaries, the P30 senses the difference between the pressure in the crankcase and that of the outlet side of the oil pump.

Model	Safety Time	Pressure p.s.i. (bar)	C.I.P.D. C.O.P.D.	Factory Setting	Connection
P30-3601	60 sec (+/-15sec)	50...60 (0,3...4)	7 (0,5) max	10 (0,7)	Capillare 915mm con bocchettone 1/4" SAE
P30-3701	90 sec (+/-20sec)	50...60 (0,3...4)	7 (0,5) max	10 (0,7)	Capillare 915mm con bocchettone 1/4" SAE
P30-3801	120 sec (+/-20sec)	50...60 (0,3...4)	7 (0,5) max	10 (0,7)	Capillare 915mm con bocchettone 1/4" SAE
P30-5826	120 sec (+/-20sec)	9 (0,6)	7 (0,5) max	9 (0,6)	Capillare 915mm con bocchettone 1/4" SAE
P30-5839	120 sec (+/-20sec)	9 (0,6)	7 (0,5) max	9 (0,6)	Capillare 915mm con bocchettone 1/4" SAE

P30 - Wiring Diagram - Applications



P30 - Dimensions



P30 - Installation

