

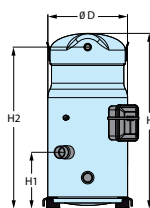


60 Hz

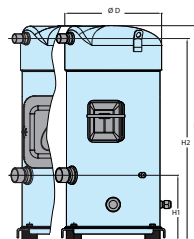
Performer® scroll compressors

SM - SY - SZ

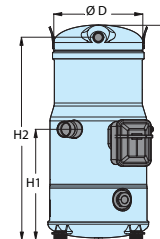
R407C - R404A - R507 - R134a - R22 - 60 Hz



	D	H	H1	H2
S084-090-100	254	508	142	465
S110-120	254	558	178	515

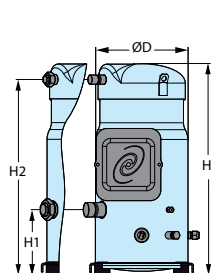


	D	H	H1	H2
S148-161	266	591	180	556

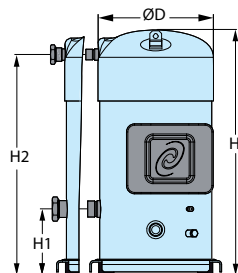


	D	H	H1	H2
S112	243	535	278	504
S124-147	243	540	278	509

All dimensions in mm



	D	H	H1	H2
S115-125	254	581	180	537
S160	266	631	180	596
S175-185	316	678	180	641



	D	H	H1	H2
S240	344	727	196	654
S300	344	738	196	665
S380	344	762	196	689

Model	Motor voltage code			
	200-230V/3/60Hz	400V/3/50Hz - 460V/3/60Hz	500V/3/50Hz - 575V/3/60Hz	380V/3/60Hz
SM/SZ084-090-100-110-120	●	●	●	●
SM/SZ148-161	●	●	●	●
SM112-124-147	●	●	●	●
SM/SZ115-125-160-175-185	○ ●	○ ●	○ ●	○ ●
SY185		○ ●		
SY/SZ240-300	○ ●	○ ●	○ ●	○ ●
SZ380		●		

○ Rotolock version ● Brazed version

TECHNICAL SPECIFICATIONS

Model	Nominal tons 60 Hz	Nominal cooling capacity ①		Power input ①	Max. operating current	COP ①	E.E.R. ①	Sound power	Swept volume	Displacement ③	Oil charge	Net weight ④	
	TR	W	Btu/h	kW	A ②	W/W	Btu/h/W	dB(A)	cm ³ /rev	m ³ /h	dm ³	kg	
R22	SM084	7	24 600	84 000	7.38	17	3.34	11.4	74.0	114.5	24.05	3.3	64
	SM090	7.5	26 400	90 000	7.82	17	3.37	11.5	75.0	120.5	25.31	3.3	65
	SM100	8	27 500	94 000	8.14	18	3.38	11.5	75.0	127.2	26.71	3.3	65
	SM110	9	31 600	107 800	9.35	20	3.38	11.5	78.0	144.2	30.28	3.3	73
	SM112	9.5	34 000	116 100	9.62	21	3.53	12.1	78.0	151.5	31.82	3.3	64
	SM115	9.5	33 700	115 200	10.08	22	3.35	11.4	79.0	155.0	32.55	3.8	78
	SM120	10	36 700	125 300	10.80	24	3.40	11.6	78.0	166.6	34.99	3.3	73
	SM124	10.5	37 700	128 800	10.59	23	3.56	12.2	77.0	169.5	35.60	3.3	64
	SM125	10	37 000	126 400	10.99	24	3.37	11.5	79.0	166.6	34.99	3.8	78
	SM147	12	43 600	148 600	12.18	26	3.58	12.2	78.0	193.5	40.60	3.3	67
	SM148	12	43 800	149 500	13.01	29	3.37	11.5	83.0	199.0	41.80	3.6	88
	SM160	13	47 700	163 000	14.22	29	3.36	11.5	84.0	216.6	45.49	4.0	90
	SM161	13	47 600	162 600	14.07	31	3.39	11.5	84.0	216.6	45.49	3.6	88
	SM175	14	51 100	174 300	15.27	34	3.34	11.4	82.5	233.0	48.93	6.2	100
	SM/SY185	15	54 300	185 400	16.22	35	3.35	11.4	82.5	249.9	52.48	6.2	100
	R407C	SY240	20	74 100	252 700	22.10	47	3.35	11.4	84.7	347.8	73.00	8.0
SY300		25	94 500	322 500	27.50	58	3.43	11.7	85.9	437.5	91.90	8.0	157
SZ084		7	22 500	76 900	7.06	17	3.19	10.9	74.0	114.5	24.05	3.3	64
SZ090		7.5	24 400	83 300	7.63	17	3.20	10.9	77.0	120.5	25.31	3.3	65
SZ100		8	26 500	90 500	8.18	18	3.24	11.0	77.0	127.2	26.71	3.3	65
SZ110		9	30 100	102 800	9.29	20	3.24	11.1	81.0	144.2	30.28	3.3	73
SZ115		9.5	32 800	112 000	10.22	22	3.21	10.9	81.0	155.0	32.55	3.8	78
SZ120		10	34 800	118 900	10.75	24	3.24	11.1	81.0	166.6	34.99	3.3	73
SZ125		10	34 900	119 200	10.89	24	3.21	10.9	81.0	166.6	34.99	3.8	78
SZ148		12	42 600	145 400	13.35	29	3.19	10.9	83.0	199.0	41.80	3.6	88
SZ160		13	45 500	155 400	14.08	29	3.23	11.0	83.0	216.6	45.49	4.0	90
SZ161		13	46 000	156 900	14.32	31	3.21	10.9	83.0	216.6	45.49	3.6	88
SZ175		14	48 700	166 200	15.28	34	3.19	10.9	84.0	233.0	48.93	6.2	100
SZ185		15	51 800	176 800	16.43	35	3.15	10.7	84.0	249.9	52.48	6.2	100
SZ240		20	71 100	242 800	22.70	47	3.14	10.7	87.0	347.8	73.00	8.0	150
SZ300		25	87 900	300 000	27.49	58	3.20	10.9	87.5	437.5	91.90	8.0	157
SZ380	30	107 400	366 400	33.40	69	3.25	10.9	89.5	531.2	111.60	8.4	158	

① at ARI standard rating conditions: 7.2°C evaporating temperature, 54.4°C condensing temperature, 8.3 K subcooling, 11.1 K superheat

② for +15°C evap. temp.; +68°C cond. temp. under nominal voltage 460V/3/60 Hz, -10%

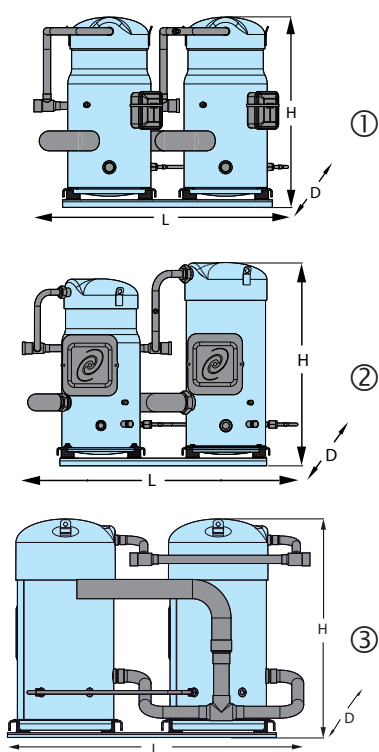
③ displacement at nominal speed: 3500 rpm at 60 Hz

④ net weight with oil charge

TR = Ton of Refrigeration

COP = Coefficient Of Performance

EER = Energy Efficiency Ratio



Outline n°	Model	Composition	Voltage code				Dimensions (mm)		
			3	4	7	9	L	D	H
			200-230V/3/60	400V/3/50Hz 460V/3/60Hz	500V/3/50Hz 575V/3/60Hz	380V/3/60Hz			
	SM/SZ170	S084 + S084	●	●	●	●	757	432	532
	SM/SZ180	S090 + S090	●	●	●	●	757	432	532
	SM/SZ200	S100 + S100	●	●	●	●	757	432	532
	SM/SZ220	S110 + S110	●	●	●	●	777	443	582
	SM/SZ230	S115 + S115	●	●	●	●	836	480	603
	SM/SZ242	S120 + S120	●	●	●	●	777	443	582
	SM248	S124 + S124	○	○	○	○	844	445	564
	SM/SZ250	S125 + S125	●	●	●	●	836	480	603
	SM272	S124 + S147	○	○	○	○	844	445	564
	SM294	S147 + S147	○	○	○	○	844	445	564
	SM/SZ296	S148 + S148	●	●	●	●	924	438	614
	SM/SZ320	S160 + S160	●	●	●	●	911	480	657
	SM/SZ322	S161 + S161	●	●	●	●	924	438	614
	SM/SZ350	S175 + S175	●	●	●	●	1004	495	717
	SM/SZ370	S185 + S185	●	●	●	●	1004	495	717
	SM/SZ268	S148 + S120	●	●	●	●	930	441	614
	SM/SZ271	S161 + S110	●	●	●	●	930	441	614
	SM/SZ281	S161 + S120	●	●	●	●	930	441	614
	SM/SZ285	S160 + S125	●	●	●	●	884	480	657
	SM/SZ290	S175 + S115	●	●	●	●	924	496	705
	SM/SZ310	S185 + S125	●	●	●	●	924	496	705
	SY/SZ425	S240 + S185	○	○	○	○	1029	552	729
	SY/SZ485	S300 + S185	○	○	○	○	1029	552	740
	SY/SZ482	S240 + S240	○	○	○	○	984	510	730
	SY/SZ540	S300 + S240	○	○	○	○	984	510	740
	SY/SZ600	S300 + S300	○	○	○	○	984	510	740
	SZ620	S240 + S380	○	○	○	○	1058	595	770
	SZ680	S300 + S380	○	○	○	○	1058	595	770
	SZ760	S380 + S380	○	○	○	○	1063	595	770

● Factory built tandems
○ Tandems to be achieved by assembly of individual compressors. Specific outline drawings of tandems, trio and quadro units are available, refer to FRCC.PC.005.

NAMEPLATE REFERENCE

Family, lubricant & refrigerant	Nominal capacity	Voltage	Version	Evolution index	Single compressors	
SZ SY	185 300	- A	4 7	R AA	C A	
Family, lubricant & refrigerant SM: Scroll, Mineral oil, R22 SY: Scroll, POE lubricant, R22 (and R407C for SY185-240-300) SZ: Scroll, POE lubricant, R407C - R134a (and R404A, R507A for SZ084 to SZ185)	Nominal capacity in thousand Btu/h at 60 Hz, R22, ARI conditions	Motor voltage code 3: 200-230V/3~/60 Hz 4: 380-400V/3~/50 - 460V/3~/60 Hz 6: 230V/3~/50 Hz 7: 500V/3~/50 Hz - 575V/3~/60 Hz 9: 380V/3~/60 Hz	Motor protection type	Connection	Module voltage	Applies to
			Internal overload protector	V : brazed		S 084-090-100-110-120-148-161
				A : brazed		S 112-124-147
			Internal thermostat	C : brazed		
				R : rotolock		
			Electronic protection module	J : brazed 24 V DC		S 115-125-160-175-185
				P : brazed 24 V AC		
				U : brazed 115 V		
				X : brazed 230 V		
				K : rotolock 24 V DC		
				S : rotolock 24 V AC		S 240 - 300
				W : rotolock 115 V		
				Y : rotolock 230 V		
				AF : A: brazed	F: 24V DC	
				AA : A: 24V AC		
				AB : B: 115/230V		
				MA : M: rotolock	A: 24V AC	
				MB : B: 115/230V		
				CA : C: brazed	A: 24V AC	
				CB : B: 115/230V		
				CF : F: 24V DC		

* SY380 only available for 400V/3~/50 Hz, SZ380 available for both 400V/3~/50 Hz and 460V/3~/60 Hz

FURTHER REFERENCE

For more exhaustive information on Performer® scroll compressors single & tandem units, please refer to the following documents:

- Online datasheet generator: www.danfoss.com/odsg - a tool providing user-friendly access to full technical data, performance data & outline drawings for each individual compressor.
- Selection and application guidelines for SM, SY and SZ Performer® single scroll compressors - ref. FRCC.PC.003. and for SM, SY and SZ Performer® scroll compressors in parallel installation - ref. FRCC.PC.005.

Above documents and datasheet generator are available on the Danfoss Commercial Compressors internet website: <http://cc.danfoss.com>

QUICK REFERENCE

PERFORMANCE DATA SM / SY R22

Model	To	-20		-15		-10		-5		0		5		10		15	
	Tc	Qo	Pe	Qo	Pe	Qo	Pe	Qo	Pe	Qo	Pe	Qo	Pe	Qo	Pe	Qo	Pe
SM084	35	9 600	4.8	12 200	4.8	15 200	4.8	18 700	4.9	22 600	4.9	27 100	4.9	32 100	4.9	37 800	4.9
	55	-	-	-	-	-	-	15 000	7.5	18 500	7.5	22 500	7.5	27 000	7.4	32 100	7.4
SM090	35	10 600	5.2	13 300	5.2	16 500	5.3	20 200	5.3	24 500	5.4	29 400	5.4	34 900	5.4	41 100	5.4
	55	-	-	-	-	-	-	16 400	7.9	20 000	7.9	24 200	7.9	28 900	7.9	34 300	7.9
SM100	35	11 200	5.4	14 100	5.5	17 400	5.5	21 300	5.5	25 700	5.6	30 700	5.6	36 400	5.6	42 700	5.6
	55	-	-	-	-	-	-	17 200	8.3	21 000	8.3	25 300	8.3	30 100	8.2	35 600	8.2
SM110	35	12 800	6.2	16 100	6.2	20 000	6.3	24 400	6.3	29 500	6.3	35 200	6.4	41 600	6.4	48 800	6.4
	55	-	-	-	-	-	-	19 800	9.5	24 100	9.5	29 000	9.5	34 500	9.5	40 700	9.4
SM112	35	14 100	6.1	17 600	6.2	21 600	6.3	26 200	6.5	31 500	6.6	37 600	6.8	44 400	7.0	52 200	7.2
	55	-	-	-	-	-	-	21 700	9.4	26 200	9.5	31 300	9.7	37 100	9.8	43 700	10.0
SM115	35	14 200	6.5	17 900	6.5	22 000	6.6	26 500	6.6	31 500	6.7	37 000	6.7	43 000	6.8	49 400	6.8
	55	-	-	-	-	-	-	21 600	10.2	26 200	10.2	31 200	10.2	36 600	10.2	42 500	10.2
SM120	35	15 000	7.1	18 800	7.1	23 300	7.2	28 400	7.2	34 200	7.2	40 800	7.3	48 300	7.3	56 600	7.4
	55	-	-	-	-	-	-	23 000	10.9	28 000	10.9	33 700	10.9	40 100	10.9	47 300	10.9
SM124	35	16 000	6.5	19 800	6.6	24 300	6.8	29 500	7.0	35 400	7.3	42 200	7.6	49 900	8.0	58 600	8.4
	55	-	-	-	-	-	-	24 100	10.2	29 100	10.4	34 700	10.6	41 200	10.9	48 600	11.2
SM125	35	15 500	7.0	19 600	7.1	24 100	7.2	29 100	7.2	34 600	7.3	40 600	7.3	47 100	7.4	54 200	7.4
	55	-	-	-	-	-	-	23 700	11.1	28 700	11.1	34 200	11.1	40 200	11.1	46 600	11.1
SM147	35	18 600	7.6	22 800	7.7	27 800	7.9	33 500	8.1	40 000	8.3	47 500	8.5	55 900	8.7	65 500	8.8
	55	-	-	-	-	-	-	28 000	11.8	33 600	12.0	40 100	12.2	47 600	12.5	56 000	12.7
SM148	35	18 100	8.3	22 600	8.4	27 800	8.5	33 800	8.6	40 600	8.7	48 500	8.8	57 400	8.9	67 500	9.0
	55	-	-	-	-	-	-	27 600	12.9	33 500	13.0	40 300	13.1	48 000	13.2	56 700	13.3
SM160	35	19 200	9.2	24 200	9.4	29 900	9.5	36 500	9.7	43 900	9.8	52 400	10.0	61 900	10.1	72 500	10.2
	55	-	-	-	-	24 100	13.9	29 900	14.0	36 400	14.2	43 800	14.3	52 200	14.4	61 600	14.5
SM161	35	19 700	9.0	24 600	9.1	30 200	9.2	36 700	9.3	44 200	9.4	52 700	9.5	62 400	9.6	73 300	9.7
	55	-	-	-	-	-	-	30 000	14.0	36 400	14.1	43 800	14.2	52 100	14.3	61 600	14.4
SM175	35	21 100	9.8	26 400	10.0	32 500	10.1	39 500	10.3	47 500	10.5	56 500	10.6	66 600	10.7	77 800	10.8
	55	-	-	-	-	-	-	32 200	15.1	39 200	15.2	47 000	15.4	55 800	15.5	65 600	15.7
SM185	35	22 500	10.4	28 100	10.6	34 600	10.8	42 000	10.9	50 500	11.1	60 100	11.2	70 800	11.4	82 800	11.5
	55	-	-	-	-	27 800	15.8	34 300	16.0	41 700	16.2	50 000	16.3	59 300	16.5	69 800	16.6
SY185	35	22 500	10.4	28 000	10.5	34 500	10.6	42 000	10.7	50 800	10.8	60 800	10.9	72 200	11.0	85 100	11.2
	55	-	-	-	-	28 200	15.5	34 600	15.8	42 100	16.1	50 800	16.4	60 700	16.6	71 900	16.9
SY240	35	30 600	14.0	38 200	14.2	47 100	14.4	57 300	14.8	69 100	15.1	82 500	15.6	97 600	16.2	114 800	16.8
	55	-	-	-	-	-	-	46 700	21.4	56 700	21.7	68 100	22.2	81 000	22.6	95 700	23.2
SY300	35	39 800	16.4	49 400	16.9	60 600	17.4	73 600	18.0	88 500	18.6	105 600	19.2	125 000	19.9	146 900	20.6
	55	-	-	-	-	-	-	59 600	26.0	72 300	26.6	86 800	27.4	103 400	28.3	122 300	29.2
SM170	35	18 900	9.5	24 000	9.6	29 900	9.7	36 800	9.7	44 500	9.8	53 300	9.8	63 300	9.8	74 400	9.9
	55	-	-	-	-	-	-	29 500	15.0	36 400	15.0	44 300	15.0	53 300	14.9	63 300	14.8
SM180	35	20 900	10.4	26 200	10.5	32 600	10.6	39 900	10.6	48 300	10.7	57 900	10.8	68 700	10.8	80 900	10.8
	55	-	-	-	-	-	-	32 300	15.8	39 400	15.9	47 600	15.8	57 000	15.8	67 500	15.7
SM200	35	22 000	10.8	27 700	10.9	34 300	11.0	41 900	11.1	50 600	11.2	60 500	11.2	71 700	11.2	84 200	11.3
	55	-	-	-	-	-	-	34 000	16.5	41 400	16.5	49 800	16.5	59 400	16.4	70 100	16.4
SM220	35	25 300	12.3	31 800	12.4	39 400	12.5	48 100	12.6	58 000	12.7	69 300	12.7	82 000	12.8	96 200	12.8
	55	-	-	-	-	-	-	39 000	18.9	47 500	18.9	57 100	18.9	68 000	18.9	80 300	18.9
SM230	35	27 900	12.9	35 200	13.0	43 300	13.1	52 300	13.2	62 100	13.3	72 900	13.4	84 600	13.5	97 300	13.6
	55	-	-	-	-	-	-	42 600	20.4	51 600	20.4	61 500	20.4	72 100	20.4	83 700	20.3
SM242	35	29 500	14.2	37 100	14.2	45 800	14.3	55 900	14.4	67 400	14.5	80 400	14.6	95 100	14.7	111 400	14.8
	55	-	-	-	-	-	-	45 300	21.8	55 200	21.8	66 400	21.9	79 100	21.9	93 200	21.9
SM248	35	32 000	13.0	39 700	13.3	48 600	13.6	58 900	14.1	70 800	14.6	84 400	15.3	99 800	15.9	117 300	16.7
	55	-	-	-	-	-	-	48 200	20.4	58 100	20.7	69 500	21.2	82 500	21.7	97 200	22.4
SM250	35	30 600	14.1	38 600	14.2	47 500	14.3	57 400	14.4	68 200	14.5	80 000	14.6	92 800	14.7	106 700	14.8
	55	-	-	-	-	-	-	46 700	22.3	56 600	22.3	67 400	22.3	79 200	22.2	91 800	22.2
SM268	35	32 600	15.4	40 800	15.6	50 300	15.7	61 200	15.8	73 700	16.0	88 000	16.1	104 100	16.2	122 200	16.4
	55	-	-	-	-	-	-	49 900	23.8	60 600	24.0	72 900	24.1	86 800	24.2	102 500	24.3
SM271	35	32 100	15.2	40 100	15.3	49 400	15.5	60 200	15.6	72 500	15.7	86 600	15.9	102 500	16.0	120 300	16.1
	55	-	-	-	-	-	-	49 100	23.4	59 600	23.5	71 700	23.7	85 400	23.7	100 800	23.8
SM272	35	34 600	14.1	42 700	14.4	52 100	14.7	62 900	15.1	75 400	15.6	89 700	16.1	105 800	16.6	124 100	17.2
	55	-	-	-	-	-	-	52 000	22.0	62 700	22.3	74 900	22.8	88 800	23.3	104 600	23.9
SM281	35	34 200	16.1	42 700	16.2	52 700	16.4	64 100	16.5	77 200	16.7	92 100	16.8	109 000	16.9	128 000	17.1
	55	-	-	-	-	-	-	52 200	24.9	63 500	25.0	76 300	25.1	90 900	25.2	107 300	25.3
SM285	35	34 300	16.2	43 100	16.5	53 200	16.7	64 600	16.9	77 400	17.1	91 600	17.3	107 400	17.5	124 800	17.6
	55	-	-	-	-	-	-	52 800	25.2	64 200	25.3	76 900	25.5	91 000	25.6	106 600	25.6
SM290	35	34 800	16.3	43 600	16.5	53 700	16.7	65 100	16.9	77 800	17.1	92 100	17.3	107 900	17.5	125 300	17.6
	55	-	-	-	-	-	-	53 000	25.3	64 400	25.4	77 000	25.6	91 000	25.7	106 500	25.8
SM294	35	37 200	15.2	45 700	15.5	55 500	15.9	66 900	16.2	80 000	16.6	94 900	16.9	111 800	17.3	131 000	17.7
	55	-	-	-	-	-	-	55 900	23.5	67 300	23.9	80 300	24.4	95 100	24.9	111 900	25.5
SM296	35	35 800	16.6	44 500	16.9	54 700	17.1	66 500	17.2	80 000	17.4	95 500	17.6	113 100	17.8	132 900	18.0
	55	-	-	-	-	-	-	54 400	25.8	66 000	26.0	79 300	26.2	94 500	26.4	111 700	26.6
SM310	35	37 500	17.5	47 000	17.7	57 800	17.9	70 100	18.2	83 800	18.4	99 200	18.6	116 200	18.7	134 900	18.9
	55	-	-	-	-	-	-	57 100	27.1	69 300	27.3	82 900	27.5	98 000	27.6	114 700	27.7
SM320	35	37 900	18.4	47 700	18.7	58 900	19.1	71 900	19.4	86 600	19.7	103 200	19.9	121 900	20.2	142 800	20.4
	55	-	-	-	-	-	-	58 800	28.0	71 700	28.4	86 400	28.6	102 800	28.9	121 300	29.1
SM322	35	38 900	18.0	48 400	18.2	59 500	18.4	72 300	18.6	87 000	18.8	103 800	19.0	122 900	19.2	144 500	19.4
	55	-	-	-	-	-	-	59 100	27.9	71 700	28.1	86 200	28.4	102 700			

QUICK REFERENCE

PERFORMANCE DATA SZ R134 a

Model	To	-15		-10		-5		0		5		10		15	
	Tc	Qo	Pe	Qo	Pe	Qo	Pe	Qo	Pe	Qo	Pe	Qo	Pe	Qo	Pe
SZ084	35	7 800	3.3	9 800	3.3	12 300	3.3	15 300	3.3	18 700	3.3	22 700	3.3	27 200	3.2
	55	-	-	7 800	5.0	9 900	5.1	12 300	5.1	15 200	5.1	18 500	5.1	22 400	5.1
SZ090	35	8 200	3.5	10 400	3.5	13 100	3.5	16 100	3.5	19 700	3.5	23 900	3.5	28 600	3.4
	55	-	-	8 300	5.3	10 500	5.3	13 000	5.4	16 000	5.4	19 500	5.4	23 600	5.4
SZ100	35	8 800	3.6	11 100	3.7	13 900	3.7	17 100	3.7	20 900	3.7	25 300	3.7	30 200	3.7
	55	-	-	8 800	5.6	11 100	5.6	13 800	5.7	17 000	5.7	20 700	5.7	24 900	5.7
SZ110	35	10 100	4.1	12 800	4.2	15 900	4.2	19 600	4.3	23 800	4.3	28 700	4.3	34 300	4.3
	55	-	-	10 000	6.3	12 700	6.4	15 800	6.4	19 400	6.5	23 600	6.5	28 300	6.5
SZ115	35	11 100	4.6	14 000	4.7	17 500	4.7	21 600	4.8	26 300	4.8	31 800	4.8	38 000	4.7
	55	-	-	10 900	7.0	13 900	7.1	17 400	7.1	21 400	7.1	26 100	7.1	31 500	7.1
SZ120	35	11 900	4.8	15 000	4.9	18 600	4.9	22 800	5.0	27 700	5.0	33 300	5.0	39 600	5.0
	55	-	-	11 700	7.3	14 800	7.4	18 400	7.5	22 600	7.5	27 400	7.5	32 800	7.5
SZ125	35	11 500	4.8	14 600	4.9	18 300	4.9	22 600	5.0	27 500	5.0	33 200	5.0	39 700	4.9
	55	-	-	11 400	7.3	14 500	7.3	18 100	7.4	22 400	7.4	27 300	7.4	32 900	7.4
SZ148	35	13 400	6.0	17 100	6.1	21 400	6.2	26 500	6.3	32 500	6.3	39 500	6.2	47 500	6.0
	55	-	-	13 400	9.2	17 000	9.4	21 300	9.5	26 300	9.5	32 200	9.4	39 000	9.3
SZ160	35	15 300	6.2	19 300	6.3	24 100	6.4	29 600	6.5	36 100	6.5	43 600	6.6	52 000	6.6
	55	-	-	15 100	9.3	19 100	9.5	23 900	9.6	29 400	9.7	35 800	9.7	43 100	9.8
SZ161	35	14 600	6.2	18 600	6.3	23 300	6.4	28 800	6.5	35 300	6.5	42 800	6.5	51 400	6.5
	55	-	-	14 700	9.4	18 700	9.6	23 300	9.7	28 600	9.8	34 900	9.8	42 000	9.8
SZ175	35	16 300	6.8	20 500	6.9	25 600	6.9	31 500	7.0	38 400	7.1	46 300	7.1	55 300	7.1
	55	-	-	16 100	10.1	20 300	10.3	25 400	10.4	31 200	10.5	38 000	10.6	45 800	10.6
SZ185	35	17 300	7.2	21 900	7.3	27 200	7.4	33 500	7.5	40 900	7.6	49 300	7.6	58 900	7.6
	55	-	-	17 100	10.8	21 700	11.0	27 000	11.1	33 300	11.2	40 500	11.3	48 800	11.4
SZ240	35	23 200	10.1	29 400	10.2	36 700	10.4	45 400	10.5	55 500	10.7	67 300	10.9	80 800	11.1
	55	-	-	23 000	14.9	29 100	15.0	36 400	15.2	44 900	15.4	54 800	15.7	66 200	15.9
SZ300	35	29 100	12.3	36 500	12.7	45 400	13.0	55 900	13.2	68 300	13.4	82 700	13.6	99 500	13.8
	55	-	-	28 800	18.4	36 100	18.9	44 700	19.3	55 100	19.7	67 200	20.0	81 400	20.3
SZ380	35	36 200	15.2	45 500	15.6	56 500	16.0	69 500	16.3	84 800	16.5	102 600	16.8	123 200	17.1
	55	-	-	36 000	22.2	45 200	22.7	56 100	23.1	68 900	23.4	84 000	23.6	101 500	23.7
SZ170	35	15 300	6.6	19 400	6.6	24 300	6.6	30 100	6.6	36 800	6.6	44 700	6.6	53 600	6.5
	55	-	-	15 400	10.0	19 500	10.1	24 300	10.2	29 900	10.2	36 500	10.3	44 100	10.3
SZ180	35	16 200	6.9	20 500	7.0	25 700	7.0	31 800	7.0	38 900	7.0	47 100	7.0	56 400	6.9
	55	-	-	16 300	10.6	20 600	10.6	25 700	10.7	31 600	10.8	38 500	10.8	46 500	10.8
SZ200	35	17 200	7.3	21 800	7.4	27 300	7.4	33 700	7.4	41 200	7.4	49 800	7.4	59 600	7.4
	55	-	-	17 300	11.2	21 800	11.3	27 200	11.3	33 500	11.4	40 800	11.4	49 100	11.4
SZ220	35	19 900	8.3	25 100	8.4	31 300	8.4	38 600	8.5	47 000	8.5	56 600	8.5	67 500	8.5
	55	-	-	19 800	12.7	25 000	12.8	31 200	12.9	38 300	13.0	46 400	13.0	55 800	13.0
SZ230	35	21 800	9.2	27 600	9.4	34 500	9.5	42 600	9.5	51 900	9.6	62 700	9.6	74 900	9.5
	55	-	-	21 500	14.0	27 400	14.1	34 200	14.2	42 200	14.3	51 400	14.3	62 000	14.3
SZ242	35	23 300	9.6	29 500	9.7	36 700	9.8	45 000	9.9	54 600	10.0	65 500	10.0	77 900	10.0
	55	-	-	23 100	14.7	29 200	14.8	36 300	14.9	44 500	15.0	53 900	15.1	64 600	15.1
SZ250	35	22 700	9.6	28 800	9.7	36 000	9.9	44 400	9.9	54 200	10.0	65 400	10.0	78 300	9.9
	55	-	-	22 500	14.5	28 600	14.7	35 700	14.8	44 100	14.9	53 700	14.9	64 700	14.8
SZ268	35	24 900	10.8	31 600	11.0	39 400	11.1	48 600	11.2	59 300	11.3	71 600	11.2	85 700	11.0
	55	-	-	24 700	16.6	31 400	16.8	39 200	17.0	48 200	17.0	58 700	17.0	70 700	16.8
SZ271	35	24 300	10.4	30 900	10.5	38 600	10.6	47 700	10.7	58 200	10.8	70 400	10.8	84 400	10.8
	55	-	-	24 400	15.8	30 900	16.0	38 500	16.1	47 300	16.3	57 600	16.3	69 300	16.3
SZ281	35	26 100	11.0	33 000	11.2	41 300	11.3	50 900	11.4	62 100	11.5	74 900	11.6	89 600	11.5
	55	-	-	26 000	16.8	33 000	17.0	41 100	17.2	50 500	17.3	61 300	17.4	73 700	17.4
SZ285	35	26 500	11.0	33 500	11.2	41 700	11.3	51 400	11.4	62 700	11.5	75 600	11.5	90 400	11.5
	55	-	-	26 100	16.6	33 100	16.8	41 400	17.0	51 000	17.1	62 100	17.2	74 800	17.2
SZ290	35	26 900	11.4	34 000	11.5	42 500	11.7	52 300	11.8	63 800	11.9	76 900	11.9	92 000	11.9
	55	-	-	26 600	17.1	33 700	17.3	42 100	17.5	51 900	17.6	63 200	17.7	76 100	17.8
SZ296	35	26 500	12.0	33 700	12.3	42 200	12.5	52 300	12.5	64 000	12.5	77 700	12.3	93 500	12.0
	55	-	-	26 400	18.5	33 500	18.8	42 000	19.0	51 900	19.0	63 500	18.9	76 900	18.6
SZ310	35	28 400	12.0	36 000	12.2	44 800	12.3	55 300	12.5	67 300	12.5	81 300	12.6	97 100	12.6
	55	-	-	28 100	18.1	35 600	18.3	44 500	18.5	54 800	18.6	66 700	18.7	80 400	18.8
SZ320	35	30 200	12.4	38 100	12.6	47 400	12.8	58 400	12.9	71 100	13.0	85 800	13.1	102 500	13.1
	55	-	-	29 800	18.7	37 700	18.9	47 000	19.1	57 900	19.3	70 500	19.5	84 900	19.6
SZ322	35	28 800	12.4	36 600	12.7	45 900	12.8	56 800	13.0	69 500	13.0	84 300	13.1	101 300	13.0
	55	-	-	29 000	18.9	36 700	19.2	45 800	19.4	56 400	19.5	68 700	19.6	82 800	19.7
SZ350	35	32 100	13.5	40 500	13.7	50 400	13.9	62 100	14.0	75 600	14.1	91 200	14.2	109 000	14.2
	55	-	-	31 600	20.2	40 100	20.5	50 000	20.7	61 500	20.9	74 900	21.1	90 200	21.3
SZ370	35	34 100	14.4	43 100	14.6	53 700	14.8	66 100	15.0	80 500	15.1	97 100	15.2	116 000	15.2
	55	-	-	33 700	21.6	42 700	21.9	53 200	22.1	65 500	22.4	79 700	22.6	96 100	22.7

Rating conditions for R22 and R134a

To: Evaporating temperature in °C
Tc: Condensing temperature in °C

Qo: Cooling capacity in W
Pe: Power input in kW

Superheat = 11.1 K
Subcooling = 8.3 K

Voltage: 460 V / 3 / 60 Hz

QUICK REFERENCE

PERFORMANCE DATA SZ R407C

Model	To	-20		-15		-10		-5		0		5		10		15	
	Tc	Qo	Pe	Qo	Pe	Qo	Pe	Qo	Pe	Qo	Pe	Qo	Pe	Qo	Pe	Qo	Pe
SZ084	35	8 400	4.5	11 100	4.5	14 300	4.5	17 900	4.5	22 000	4.5	26 700	4.5	32 000	4.4	37 900	4.3
	55	-	-	-	-	-	-	12 600	7.2	16 200	7.2	20 300	7.2	25 000	7.1	30 100	7.1
SZ090	35	9 200	4.8	12 000	4.9	15 300	4.9	19 100	4.9	23 500	5.0	28 500	4.9	34 200	4.9	40 700	4.8
	55	-	-	-	-	-	-	14 100	7.7	17 800	7.7	22 100	7.7	27 000	7.7	32 500	7.7
SZ100	35	10 000	5.2	12 900	5.2	16 400	5.3	20 400	5.4	25 100	5.4	30 600	5.4	36 800	5.4	43 800	5.4
	55	-	-	-	-	-	-	15 800	8.2	19 700	8.2	24 100	8.3	29 200	8.3	35 000	8.3
SZ110	35	11 500	5.8	14 800	5.9	18 700	6.0	23 300	6.1	28 600	6.1	34 700	6.1	41 700	6.1	49 600	6.0
	55	-	-	-	-	-	-	18 000	9.4	22 400	9.4	27 400	9.4	33 200	9.4	39 700	9.3
SZ115	35	12 700	6.5	16 200	6.6	20 500	6.6	25 500	6.7	31 300	6.7	38 000	6.7	45 700	6.6	54 400	6.5
	55	-	-	-	-	-	-	19 600	10.3	24 300	10.4	29 800	10.4	36 200	10.3	43 400	10.3
SZ120	35	13 500	6.8	17 300	6.9	21 800	6.9	27 000	7.0	33 100	7.0	40 100	7.0	48 100	7.0	57 100	6.9
	55	-	-	-	-	-	-	20 900	10.9	25 900	10.9	31 700	10.9	38 300	10.9	45 900	10.8
SZ125	35	13 500	6.9	17 300	7.0	21 800	7.1	27 100	7.1	33 300	7.1	40 400	7.1	48 600	7.0	57 900	6.9
	55	-	-	-	-	-	-	20 900	11.0	25 900	11.1	31 700	11.1	38 500	11.0	46 100	10.9
SZ148	35	16 500	8.3	21 100	8.4	26 400	8.5	32 700	8.7	40 000	8.8	48 500	8.9	58 300	8.9	69 500	8.9
	55	-	-	-	-	-	-	25 800	13.3	31 800	13.4	38 800	13.5	46 900	13.6	56 200	13.7
SZ160	35	17 600	8.9	22 500	9.1	28 200	9.2	35 000	9.4	42 900	9.4	52 000	9.5	62 400	9.4	74 200	9.3
	55	-	-	-	-	-	-	27 400	14.0	33 900	14.2	41 500	14.2	50 100	14.3	60 000	14.2
SZ161	35	17 800	8.9	22 700	9.0	28 500	9.1	35 300	9.2	43 200	9.3	52 300	9.4	62 900	9.6	75 000	9.7
	55	-	-	-	-	-	-	27 900	14.3	34 400	14.4	41 900	14.5	50 600	14.6	60 700	14.6
SZ175	35	19 300	9.5	24 600	9.6	30 800	9.8	38 000	9.9	46 500	10.0	56 300	10.1	67 500	10.1	80 200	10.1
	55	-	-	-	-	-	-	29 400	15.1	36 300	15.3	44 300	15.4	53 600	15.5	64 100	15.6
SZ185	35	20 600	10.2	26 100	10.4	32 700	10.5	40 500	10.6	49 500	10.7	59 900	10.8	71 800	10.9	85 400	10.9
	55	-	-	-	-	-	-	31 300	16.3	38 600	16.4	47 200	16.6	57 000	16.7	68 200	16.8
SZ240	35	26 900	14.0	34 700	14.3	43 900	14.7	54 700	15.0	67 300	15.3	81 900	15.6	98 700	15.9	117 900	16.2
	55	-	-	26 600	21.2	34 200	21.6	42 900	22.1	53 100	22.4	64 800	22.8	78 400	23.1	94 000	23.4
SZ300	35	35 800	16.7	44 900	17.1	55 700	17.4	68 400	17.8	83 500	18.1	101 300	18.4	122 000	18.7	146 100	19.1
	55	-	-	34 300	25.6	43 000	26.1	53 300	26.6	65 500	27.1	80 000	27.6	97 100	28.1	117 100	28.6
SZ380	35	42 900	20.3	54 100	20.7	67 300	21.2	82 900	21.7	101 000	22.2	122 100	22.8	146 400	23.3	174 100	23.8
	55	-	-	41 900	31.4	52 800	31.9	65 500	32.4	80 500	33.0	97 900	33.6	118 100	34.3	141 300	34.9
SZ170	35	16 600	8.9	21 900	9.0	28 100	9.0	35 300	9.1	43 400	9.0	52 600	9.0	63 000	8.8	74 600	8.6
	55	-	-	-	-	-	-	24 800	14.3	31 900	14.3	40 000	14.3	49 200	14.3	59 400	14.1
SZ180	35	18 100	9.6	23 600	9.7	30 100	9.8	37 600	9.9	46 300	9.9	56 200	9.9	67 500	9.8	80 100	9.7
	55	-	-	-	-	-	-	27 800	15.4	35 100	15.4	43 600	15.5	53 100	15.4	63 900	15.4
SZ200	35	19 800	10.3	25 500	10.5	32 300	10.6	40 200	10.7	49 500	10.8	60 200	10.8	72 400	10.8	86 300	10.7
	55	-	-	-	-	-	-	31 200	16.4	38 700	16.5	47 500	16.5	57 600	16.6	69 000	16.5
SZ220	35	22 700	11.7	29 200	11.9	36 800	12.0	45 800	12.1	56 300	12.2	68 300	12.2	82 100	12.1	97 600	12.0
	55	-	-	-	-	-	-	35 500	18.7	44 100	18.8	54 000	18.8	65 300	18.8	78 200	18.7
SZ230	35	24 900	12.9	32 000	13.1	40 300	13.2	50 200	13.3	61 700	13.3	74 900	13.3	90 000	13.2	107 200	13.0
	55	-	-	-	-	-	-	38 600	20.7	48 000	20.7	58 800	20.7	71 200	20.7	85 400	20.5
SZ242	35	26 600	13.5	34 000	13.7	42 900	13.9	53 200	14.0	65 200	14.0	79 000	14.0	94 800	13.9	112 600	13.8
	55	-	-	-	-	-	-	41 200	21.8	51 100	21.8	62 500	21.8	75 500	21.7	90 400	21.5
SZ250	35	26 500	13.8	34 000	13.9	42 900	14.1	53 400	14.2	65 600	14.2	79 600	14.2	95 700	14.0	114 000	13.8
	55	-	-	-	-	-	-	41 100	22.0	51 000	22.1	62 500	22.1	75 800	22.0	90 900	21.8
SZ268	35	29 600	15.1	37 800	15.3	47 400	15.5	58 800	15.7	72 000	15.8	87 300	15.9	104 800	15.9	124 700	15.8
	55	-	-	-	-	-	-	46 100	24.2	56 900	24.3	69 500	24.4	84 000	24.4	100 600	24.5
SZ271	35	28 900	14.7	37 000	15.0	46 500	15.1	57 700	15.3	70 700	15.4	85 700	15.5	103 000	15.6	122 700	15.7
	55	-	-	-	-	-	-	45 200	23.6	55 900	23.8	68 300	23.9	82 500	24.0	98 900	24.0
SZ281	35	30 900	15.7	39 400	15.9	49 500	16.1	61 300	16.2	75 100	16.4	91 100	16.5	109 300	16.5	130 100	16.6
	55	-	-	-	-	-	-	48 100	25.2	59 400	25.3	72 500	25.4	87 600	25.4	105 000	25.4
SZ285	35	30 600	15.8	39 100	16.1	49 300	16.3	61 200	16.5	75 000	16.6	91 000	16.5	109 300	16.4	130 100	16.2
	55	-	-	-	-	-	-	47 600	25.0	58 900	25.2	72 100	25.3	87 300	25.3	104 600	25.1
SZ290	35	31 500	15.9	40 200	16.2	50 500	16.4	62 600	16.6	76 700	16.7	92 900	16.7	111 500	16.7	132 600	16.6
	55	-	-	-	-	-	-	48 300	25.5	59 800	25.7	73 100	25.8	88 400	25.9	105 800	25.9
SZ296	35	32 600	16.6	41 500	16.8	52 000	17.0	64 400	17.3	78 800	17.6	95 500	17.7	114 800	17.8	136 900	17.8
	55	-	-	-	-	-	-	50 900	26.5	62 700	26.7	76 500	26.9	92 500	27.2	110 800	27.4
SZ310	35	33 500	17.1	42 700	17.3	53 700	17.6	66 600	17.7	81 500	17.9	98 800	17.9	118 600	17.9	141 100	17.8
	55	-	-	-	-	-	-	51 300	27.3	63 600	27.5	77 700	27.6	94 000	27.7	112 600	27.7
SZ320	35	34 800	17.8	44 300	18.2	55 600	18.5	68 900	18.7	84 500	18.9	102 400	18.9	122 800	18.8	146 100	18.5
	55	-	-	-	-	-	-	54 100	28.0	66 900	28.3	81 700	28.5	98 800	28.5	118 200	28.4
SZ322	35	35 100	17.8	44 800	18.0	56 100	18.3	69 500	18.5	85 000	18.7	103 100	18.9	123 900	19.1	147 700	19.4
	55	-	-	-	-	-	-	54 900	28.5	67 700	28.7	82 600	28.9	99 800	29.1	119 600	29.2
SZ350	35	38 100	18.9	48 400	19.2	60 600	19.5	74 900	19.8	91 700	20.0	110 900	20.1	133 000	20.2	158 100	20.3
	55	-	-	-	-	-	-	57 900	30.3	71 600	30.6	87 300	30.8	105 500	31.1	126 200	31.2
SZ370	35	40 500	20.4	51 500	20.7	64 400	21.0	79 700	21.3	97 500	21.5	118 000	21.7	141 500	21.8	168 200	21.8
	55	-	-	-	-	-	-	61 600	32.5	76 100	32.9	92					

QUICK REFERENCE
ORDERING REFERENCE

Model	Connections	Motor protection	SM /SY compressors in industrial pack				SZ compressors in industrial pack			
			3	4	7	9	3	4	7	9
			200-230/3/60	460/3/60 380-400/3/50	575/3/60 500/3/50	380/3/60	200-230/3/60	460/3/60 380-400/3/50	575/3/60 500/3/50	380/3/60
S 084	Brazed	Internal	SZ084-3VM	SZ084-4VM	SZ084-7VM	SZ084-9VM	SZ084-3VM	SZ084-4VM	SZ084-6VM	SZ084-7VM
S 090	Brazed	Internal	SZ090-3VM	SZ090-4VM	SZ090-7VM	SZ090-9VM	SZ090-3VM	SZ090-4VM	SZ090-6VM	SZ090-7VM
S 100	Brazed	Internal	SZ100-3VM	SZ100-4VM	SZ100-7VM	SZ100-9VM	SZ100-3VM	SZ100-4VM	SZ100-6VM	SZ100-7VM
S 110	Brazed	Internal	SZ110-3VM	SZ110-4VM	SZ110-7VM	SZ110-9VM	SZ110-3VM	SZ110-4VM	SZ110-6VM	SZ110-7VM
S 115	Brazed	Thermostat	SZ115-3CAM	SZ115-4CAM	SZ115-7CAM	SZ115-9CAM	SZ115-3CAM	SZ115-4CAM	SZ115-6CAM	SZ115-7CAM
	Brazed	Module 24V AC	SZ115-3PBM	SZ115-4PBM	SZ115-7PBM	-	SZ115-3PBM	SZ115-4PBM	-	SZ115-7PBM
	Rotolock	Thermostat	SZ115-3RM	SZ115-4RM	SZ115-7RM	SZ115-9RM	SZ115-3RM	SZ115-4RM	SZ115-6RM	SZ115-7RM
	Rotolock	Module 24V AC	SZ115-3SBM	SZ115-4SBM	SZ115-7SBM	-	SZ115-3SBM	SZ115-4SBM	-	SZ115-7SBM
S 120	Brazed	Internal	SZ120-3VM	SZ120-4VM	SZ120-7VM	SZ120-9VM	SZ120-3VM	SZ120-4VM	SZ120-6VM	SZ120-7VM
S 125	Brazed	Thermostat	SZ125-3CAM	SZ125-4CAM	SZ125-7CAM	SZ125-9CAM	SZ125-3CAM	SZ125-4CAM	SZ125-6CAM	SZ125-7CAM
	Brazed	Module 24V AC	SZ125-3PBM	SZ125-4PBM	SZ125-7PBM	-	SZ125-3PBM	SZ125-4PBM	-	SZ125-7PBM
	Brazed	Module 24V DC	-	SZ125-4JBM	-	-	-	SZ125-4JBM	-	-
	Rotolock	Thermostat	SZ125-3RM	SZ125-4RM	SZ125-7RM	SZ125-9RM	SZ125-3RM	SZ125-4RM	SZ125-6RM	SZ125-7RM
	Rotolock	Module 24V AC	SZ125-3SBM	SZ125-4SBM	SZ125-7SBM	-	SZ125-3SBM	SZ125-4SBM	-	SZ125-7SBM
	Rotolock	Module 24V DC	-	SZ125-4KBM	-	-	-	SZ125-4KBM	-	-
S 148	Brazed	Internal	SZ148-3VAM	SZ148-4VAM	SZ148-7VAM	SZ148-9VAM	SZ148-3VAM	SZ148-4VAM	SZ148-6VAM	SZ148-7VAM
S 160	Brazed	Thermostat	SZ160-3CBM	SZ160-4CBM	SZ160-7CAM	SZ160-9CBM	SZ160-3CBM	SZ160-4CBM	SZ160-6CBM	SZ160-7CAM
	Brazed	Module 24V AC	SZ160-3PBM	SZ160-4PBM	SZ160-7PBM	-	SZ160-3PBM	SZ160-4PBM	-	SZ160-7PBM
	Brazed	Module 24V DC	-	SZ160-4JBM	-	-	-	SZ160-4JBM	-	-
	Rotolock	Thermostat	SZ160-3RAM	SZ160-4RAM	SZ160-7RAM	SZ160-9RAM	SZ160-3RAM	SZ160-4RAM	SZ160-6RAM	SZ160-7RAM
	Rotolock	Module 24V AC	SZ160-3SBM	SZ160-4SBM	SZ160-7SBM	-	SZ160-3SBM	SZ160-4SBM	-	SZ160-7SBM
	Rotolock	Module 24V DC	-	SZ160-4KBM	-	-	-	SZ160-4KBM	-	-
S 161	Brazed	Internal	SZ161-3VAM	SZ161-4VAM	SZ161-7VAM	SZ161-9VAM	SZ161-3VAM	SZ161-4VAM	SZ161-6VAM	SZ161-7VAM
S 175	Brazed	Thermostat	SM175-3CAM	SM175-4CAM	SM175-7CAM	SM175-9CAM	SZ175-3CAM	SZ175-4CAM	SZ175-7CAM	SZ175-9CAM
	Brazed	Module 24V AC	SM175-3PCM	SM175-4PCM	SM175-7PCM	-	SZ175-3PCM	SZ175-4PCM	SZ175-7PCM	-
	Rotolock	Thermostat	SM175-3RM	SM175-4RM	SM175-7RM	SM175-9RM	SZ175-3RM	SZ175-4RM	SZ175-7RM	SZ175-9RM
	Rotolock	Module 24V AC	SM175-3SCM	SM175-4SCM	SM175-7SCM	-	SZ175-3SCM	SZ175-4SCM	SZ175-7SCM	-
S 185	Brazed	Thermostat	SM185-3CAM	SM185-4CAM	SM185-7CAM	SM185-9CAM	SZ185-3CAM	SZ185-4CAM	SZ185-7CAM	SZ185-9CAM
	Brazed	Module 24 V AC	SM185-3PCM	SM185-4PCM	SM185-7PCM	-	SZ185-3PCM	SZ185-4PCM	SZ185-7PCM	-
	Brazed	Module 24 V DC	-	SM185-4JCM	-	-	-	SZ185-4JCM	-	-
	Brazed	Module 230 V	-	SM185-4XCM	-	SM185-9XCM	-	SZ185-4XCM	-	SZ185-9XCM
	Rotolock	Thermostat	SM185-3RM	SM185-4RM	SM185-7RM	SM185-9RM	SZ185-3RM	SZ185-4RM	SZ185-7RM	SZ185-9RM
	Rotolock	Module 24 V AC	SM185-3SCM	SM185-4SCM	SM185-7SCM	-	SZ185-3SCM	SZ185-4SCM	SZ185-7SCM	-
	Rotolock	Module 24 V DC	-	SM185-4KCM	-	-	-	SZ185-4KCM	-	-
	Rotolock	Module 230 V	-	SM185-4YCM	-	SM185-9YCM	-	SZ185-4YCM	-	SZ185-9YCM
SY185	Brazed	Thermostat	-	SY185-4CAM	-	-	-	-	-	-
	Rotolock	Thermostat	-	SY185-4RM	-	-	-	-	-	-
S 240	Brazed	Module 24V AC	SY240A3AAM	SY240A4AAM	SY240A7AAM	SY240A9AAM	SZ240A3AAM	SZ240A4AAM	SZ240A7AAM	SZ240A9AAM
	Brazed	Module 115-230V AC	SY240A3ABM	SY240A4ABM	SY240A7ABM	SY240A9ABM	SZ240A3ABM	SZ240A4ABM	SZ240A7ABM	SZ240A9ABM
	Rotolock	Module 24V AC	SY240A3MAM	SY240A4MAM	SY240A7MAM	SY240A9MAM	SZ240A3MAM	SZ240A4MAM	SZ240A7MAM	SZ240A9MAM
	Rotolock	Module 115-230V AC	SY240A3MBM	SY240A4MBM	SY240A7MBM	SY240A9MBM	SZ240A3MBM	SZ240A4MBM	SZ240A7MBM	SZ240A9MBM
S 300	Brazed	Module 24V AC	SY300A3AAM	SY300A4AAM	SY300A7AAM	SY300A9AAM	SZ300A3AAM	SZ300A4AAM	SZ300A7AAM	SZ300A9AAM
	Brazed	Module 115-230V AC	SY300A3ABM	SY300A4ABM	SY300A7ABM	SY300A9ABM	SZ300A3ABM	SZ300A4ABM	SZ300A7ABM	SZ300A9ABM
	Rotolock	Module 24V AC	SY300A3MAM	SY300A4MAM	SY300A7MAM	SY300A9MAM	SZ300A3MAM	SZ300A4MAM	SZ300A7MAM	SZ300A9MAM
	Rotolock	Module 115-230V AC	SY300A3MBM	SY300A4MBM	SY300A7MBM	SY300A9MBM	SZ300A3MBM	SZ300A4MBM	SZ300A7MBM	SZ300A9MBM
S 380	Brazed	Module 24V AC	-	SY380A4CAM	-	-	-	SZ380A4CAM	-	-
	Brazed	Module 115-230V AC	-	SY380A4CBM	-	-	-	SZ380A4CBM	-	-

* SY380 only available for 400V/3~/50 Hz

SM/SY and SZ compressors in single pack: use numbers from above table and replace the last digit by «1». Example: SY240A4AA1

Model	Connections	Motor protection	SM112-124-147 compressors in industrial pack				SM112-124-147 compressors in single pack			
			3	4	7	9	3	4	7	9
			200-230/3/60	460/3/60 380-400/3/50	575/3/60 500/3/50	380/3/60	200-230/3/60	460/3/60 380-400/3/50	575/3/60 500/3/50	380/3/60
SM112	Brazed	Internal	120H0610	120H0612	-	120H0614	120H0609	120H0611	-	120H0613
SM124	Brazed	Internal	120H0184	120H0186	-	120H0188	120H0183	120H0185	-	120H0187
SM147	Brazed	Internal	120H0190	120H0311	-	120H0198	120H0189	120H0191	-	120H0197



The Danfoss product range for the refrigeration and air conditioning industry

Within refrigeration and air conditioning, Danfoss is a worldwide manufacturer with a leading position in industrial, commercial and supermarket refrigeration as well as air conditioning and climate solutions.

We focus on our core business of making quality products, components and systems that enhance performance and reduce total life cycle costs – the key to major savings.



Controls for Commercial Refrigeration



Controls for Industrial Refrigeration



Electronic Controls & Sensors



Industrial Automation



Household Compressors



Commercial Compressors



Sub-Assemblies



Thermostats



Brazen plate heat exchanger

We are offering a single source for one of the widest ranges of innovative refrigeration and air conditioning components and systems in the world. And, we back technical solutions with business solution to help your company reduce costs, streamline processes and achieve your business goals.

Danfoss A/S • www.danfoss.com

Danfoss Commercial Compressors <http://cc.danfoss.com>

Danfoss can accept no responsibility for possible errors in catalogues, brochures and other printed material. Danfoss reserves the right to alter its products without notice. This also applies to products already on order provided that such alterations can be made without subsequential changes being necessary in specifications already agreed. All trademarks in this material are property of the respective companies. Danfoss and the Danfoss logotype are trademarks of Danfoss A/S. All rights reserved.