



SCAN ME

# GENERAL CATALOGUE

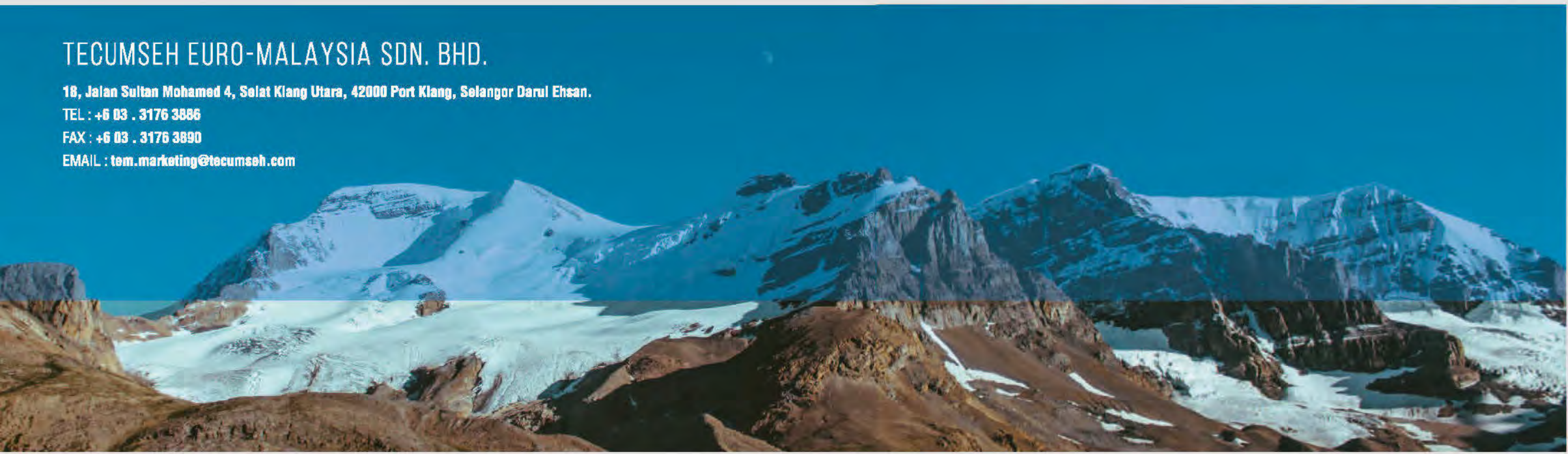
TECUMSEH EURO-MALAYSIA SDN. BHD.

18, Jalan Sultan Mohamed 4, Selat Klang Utara, 42000 Port Klang, Selangor Darul Ehsan.

TEL : +6 03 . 3176 3886

FAX : +6 03 . 3176 3890

EMAIL : [tem.marketing@tecumseh.com](mailto:tem.marketing@tecumseh.com)





## CONTENT

About Us	04
General Information	07
The Essentials	08
Refrigeration Compressors [ 50HZ ]	11
Refrigeration Compressors [ 60HZ ]	32
Manufacturing Workflow	52
Condensing Unit [ 50HZ ]	58
Condensing Unit [ 60HZ ]	65
Special Condensing Unit	74
Unit Cooler	80

## TECUMSEH HEADQUARTERS

MICHIGAN, USA ( HQ )



MISSISSIPPI, USA

### DEMONSTRATED PERFORMANCE

Tecumseh Products Company is renowned for bringing an extra dimension of product innovation, customer reliance, and product quality to the air conditioning and refrigeration industry. As a result of our innovative spirit and product performance, people rely on our products every day. We literally touch the lives of millions.

### EARLY BEGINNINGS

We developed the first "hermetic" compressor for consumer refrigerators in 1937. As the name Tecumseh became synonymous with commercial refrigeration and central home air conditioning, we expanded our product line to include automotive air conditioning compressors in 1953. Our reputation for innovation was further enhanced in 1959 when we developed the first high-speed hermetically-sealed compressor for commercial applications.

## OTHER BRANCHES



VAULX MILIEU, FRANCE



SAO CARLOS, BRAZIL



BALLABGARH, INDIA



PORT KLANG, MALAYSIA

### A FOCUSED COMPANY

Although our product manufacturing focus remains constant, Tecumseh has substantially invested in research and development engineering laboratories in North America, Europe, South American and India. We've also partnered with R&D facilities at universities throughout the globe. These facilities are not just responsible for engineering product solutions, but our university partners also provide Life Science Research on how our products interface with mankind and the environment.

### TECUMSEH INNOVATION

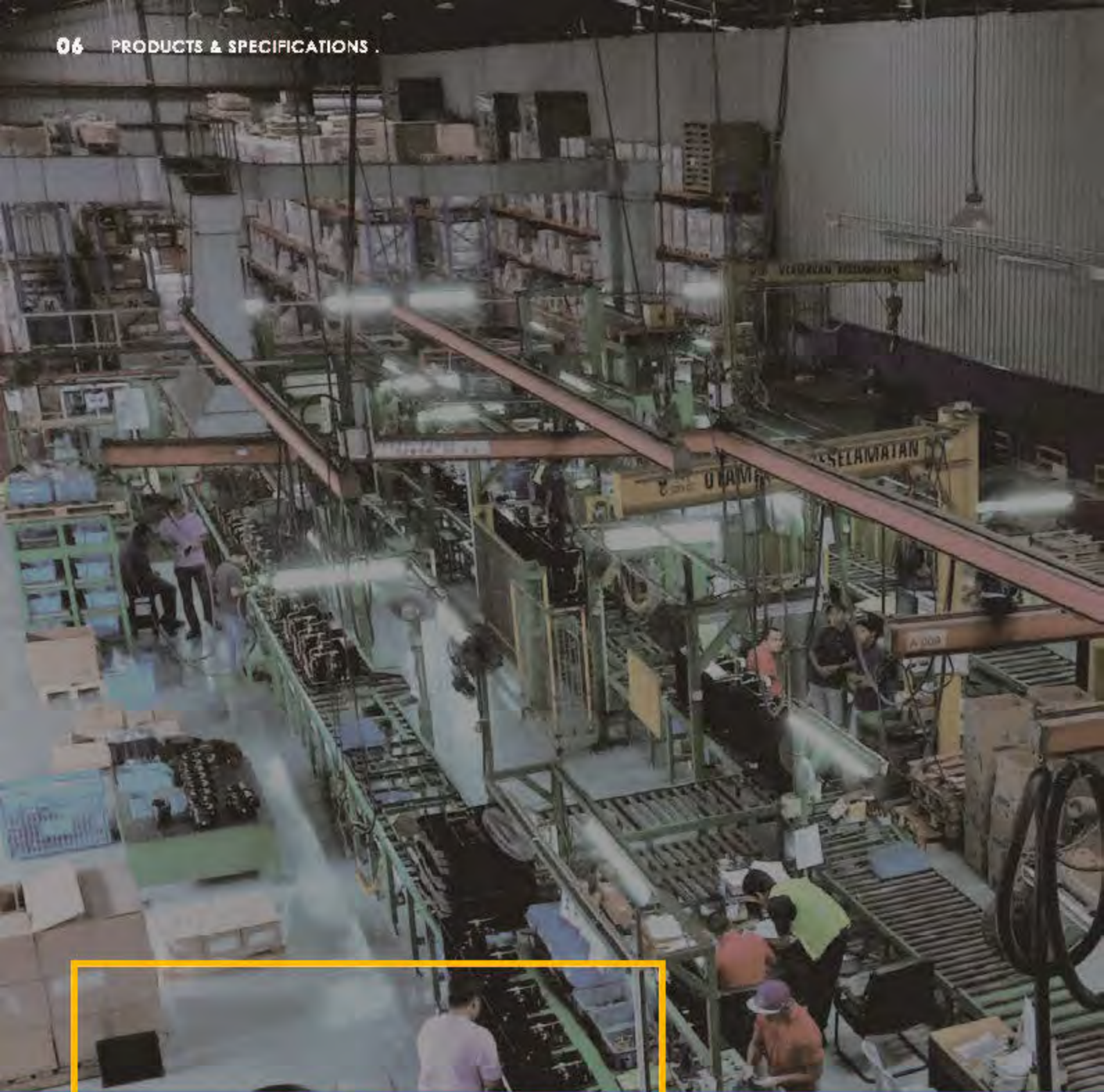
Today, we engineer a full line of hermetically-sealed compressors for residential and specialty air conditioning, home refrigerators and freezers, and commercial refrigeration. But our expertise doesn't stop there; we also offer a complete line of indoor and outdoor condensing units, evaporator coils, heat pumps, complete refrigeration systems and authorized spare parts.

### GLOBAL PRODUCTS

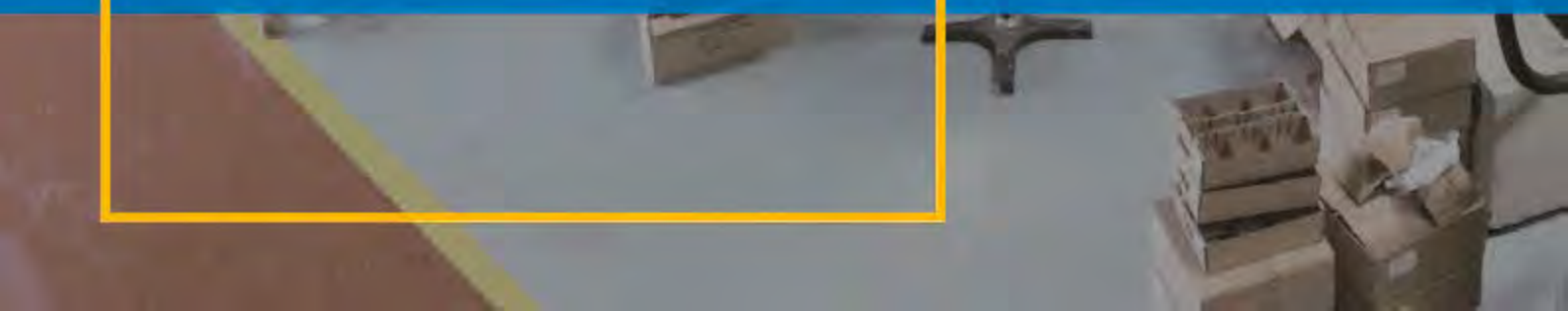
Our products can be quickly accessed from manufacturing facilities on four continents when needed on a worldwide basis. We can provide coordination among our global facilities and your plant locations anywhere, so product selection, specifications and delivery of product are assured.

### UNWAVERING COMMITMENT

Tecumseh has responded to the challenges of the refrigeration and air conditioning marketplace for over seven decades, leading the way with improved products and service in support of the industry we serve. A company-wide dedication to quality control has already earned Tecumseh the highest quality rating from major refrigeration and air conditioning manufacturers. And the people we employ are honoured to touch so many lives, in so many countries, every day.



# OUR PRODUCTS & SPECIFICATIONS



### COMPRESSORS

EN12900	DOMESTIC APPLICATION	LBP	HP / MHBP	AC
Evaporating Temperature	-25 °C	-35 °C	+5 °C	+5 °C
Condensing Temperature	+55 °C	+40 °C	+50 °C	+50 °C
Return Gas Temperature	+32 °C	+20 °C	+20 °C	+15 °C
Subcooling	OK	OK	OK	OK

ASHRAE	DOMESTIC APPLICATION	LBP	HP / MHBP
Evaporating Temperature	-23.3 °C	-23.3 °C	+7.2 °C
Condensing Temperature	+54.5 °C	+54.5 °C	+54.5 °C
Return Gas Temperature	+32 °C	+32 °C	+35 °C
Liquid Temperature	+32 °C	+32 °C	+46.12 °C

### CONDENSING UNIT

EN13215	DOMESTIC APPLICATION	LBP	HP / MHBP
Evaporating Temperature	-25 °C	-35 °C	+5 °C
Ambient Temperature	+32 °C	+40 °C	+32 °C
Return Gas Temperature	+32 °C	+20 °C	+20 °C
Subcooling	3K	3K	3K

#### Unit Conversion

\*For the conversion of the refrigeration capacity from watt at 50 Hz to :

Btu/hr at 50 Hz, use multiplying factor 3.41

Kcal/hr at 50 Hz, use multiplying factor 0.86

#### Conversion factor for obtaining the capacity in HP

- in medium and high back pressure and all air conditioning.  $HP = \frac{\text{Performance at 60 Hz in Btu/hr}}{12,000}$   
 ( Evap Temp : +7.2 °C, Cond Temp. : 54.5 °C )

- in low back pressure  $HP = \frac{\text{Performance at 60 Hz in Btu/hr}}{4,000}$   
 ( Evap Temp. : -23.3 °C, Cond Temp. : 54.5 °C )

### VOLTAGE CODE

Code	FZ	TZ	K5	GF	CG	CF	JF
Phase	1	3	1	3	1	1	1
50 Hz Rated (V)	220 - 240	400	220 - 240	400	230	230	230
Approved Range (V)	198 - 264	340 - 440	198 - 264	340 - 460	170 - 260	160 - 260	160 - 260
60 Hz Rated (V)	-	440	-	-	-	-	-
Approved Range (V)	-	396 - 499	-	-	-	-	-

Code	FS	JE	XC	XG	GE	GH
Phase	1	1	1	3	1	1
50 Hz Rated (V)	220	230	220 - 240	380 - 420	230	230
Approved Range (V)	180 - 242	180 - 260	198 - 264	342 - 462	180 - 264	187 - 264
60 Hz Rated (V)	-	-	-	460	-	-
Approved Range (V)	-	-	-	414 - 506	-	-

# THE ESSENTIALS



PISTON  
MODEL



NEW GENERATION HIGH-EFFICIENCY COMPRESSOR

**SPECIFICATIONS**

Evaporation Ranges :

High Back Pressure : -15 °C to 15 °C ( 5° F to 59 °F)

Low Back Pressure : -40 °C to -10 °C ( -40° F to 14 °F)

Refrigerants :

R134a, R404A, R290

Capacity :

From 150 W to 1,600 W (EN 12900)



PISTON  
MODEL



THE REFERENCE PRODUCT COMBINING SILENCE, RELIABILITY AND EFFICIENCY OF COMMERCIAL COOLING

**SPECIFICATIONS**

Evaporation Ranges :

High Back Pressure : -15 °C to 15 °C ( 5° F to 59 °F)

Low Back Pressure : -40 °C to -10 °C ( -40° F to 14 °F)

Refrigerants :

R134a, R404A, R290, R1234yf, R22

Capacity :

From 380 W to 4,700 W (EN 12900)



PISTON  
MODEL



ROBUST, ECONOMY & HIGH PERFORMANCE

**SPECIFICATIONS**

Evaporation Ranges :

High Back Pressure : -23 °C to 10 °C ( -10° F to 50 °F)

Low Back Pressure : -40 °C to -12 °C ( -40° F to 10 °F)

Refrigerants :

R134a, R404A, R22

Capacity :

From 280 W to 4,300 W (ASHRAE)



PISTON  
MODEL



LEVERAGES ON ROBUST DESIGN TO MEET VIGOROUS DEMANDS

**SPECIFICATIONS**

Evaporation Ranges :

High Back Pressure : -23 °C to 10 °C ( -10° F to 50 °F)

Low Back Pressure : -40 °C to -12 °C ( -40° F to 10 °F)

Refrigerants :

R22, R404A

Capacity :

From 1,100 W to 8,500 W (ASHRAE)

## EXPLANATION OF THE MODEL NAME DESCRIPTION

1 ▶ T

No letter = single-phase low torque  
C = single-phase high torque  
T = three-phase

2 ▶ AJ

Families :

- TH
- FH
- RK
- AEZ
- AG
- VS
- AE
- HG
- AJ
- RG

3 ▶ 4

Applications

- 1 = Low evaporation pressure. Motor with normal starting torque.
- 2 = Low evaporation pressure. Motor with high starting torque.
- 3 = High evaporation pressure. Motor with normal starting torque.
- 4 = High evaporation pressure. Motor with high starting torque.
- 5 = Air conditioning.
- 9 = Medium and high evaporation pressure. Motor with high starting torque.
- 0 = Medium and high evaporation pressure. Motor with normal starting torque.



PISTON  
MODEL

FH

BI-CYLINDER COMPRESSOR KNOWN FOR ITS RELIABILITY IN COMMERCIAL COOLING

SPECIFICATIONS

Evaporation Ranges :

High Back Pressure : -15 °C to 15 °C ( 5° F to 59 °F)

Low Back Pressure : -40 °C to -10 °C ( -40° F to 14 °F)

Refrigerants :

R134a, R404A, R22

Capacity :

From 1,100 W to 8,500 W (EN 12900)



PISTON  
MODEL

AV

A HIGH-YIELD SOLUTION FOR HIGH POWER INSTALLATION

SPECIFICATIONS

Evaporation Ranges :

High Back Pressure : -23 °C to 10 °C ( -10° F to 50 °F)

Low Back Pressure : -40 °C to -12 °C ( -40° F to 10 °F)

Refrigerants :

R404A, R22

Capacity :

From 1,100 W to 15,000 W (ARI)



PISTON  
MODEL

AG

TRI-CYLINDER COMPRESSOR WITH HIGH EFFICIENCY AND RELIABILITY IN NEGATIVE AND POSITIVE COMMERCIAL COOLING

SPECIFICATIONS

Evaporation Ranges :

High Back Pressure : -15 °C to 15 °C ( 5° F to 59 °F)

Low Back Pressure : -40 °C to -10 °C ( -40° F to 14 °F)

Refrigerants :

R134a, R404A, R22

Capacity :

From 1,700 W to 17,000 W (EN 12900)



PISTON  
MODEL

SH

A HIGH-YIELD SOLUTION FOR HIGH POWER INSTALLATION

SPECIFICATIONS

Evaporation Ranges :

High Back Pressure : -15 °C to 15 °C ( 5° F to 59 °F)

Low Back Pressure : -40 °C to -10 °C ( -40° F to 14 °F)

Refrigerants :

R404A, R134a, R22

Capacity :

From 3,000 W to 67,000 W (EN 12900)

4 ▶ 5

Number of figures making up the cooling power.

Example: 19 000 BTU/h

5 ▶ 19

Corresponds to the first figures of the cooling power expressed in BTU/h at 60Hz as per the conditions given.

Example: 10 preceded by 5 means: 19 000 BTU/h

6 ▶ Z

A, B, C ou D = refrigerant R-12

C = refrigerant R-407c (Air conditioning) W = refrigerant R-407c / R-22

E, F, G ou H = refrigerant R-22

M = refrigerant R-600a

T = refrigerant R-22 ou R-502

U = refrigerant R-290

W = refrigerant R-407c / R-22

Y = refrigerant R-134a

Z = refrigerant R-404a ou R-407B ou R-507

## THE ESSENTIALS



**ROTARY  
MODEL**

# RG

THE SOLUTION FOR HIGH - YIELD APPLICATION

### SPECIFICATIONS

**Evaporation Ranges :**

High Back Pressure : -15 °C to 15 °C | 5° F to 59 °F)

Low Back Pressure : -40 °C to -10 °C | -40° F to 14 °F)

**Refrigerants :**

R134A, R404A, R290

**Capacity :**

From 330 W to 2,400 W (EN 12900)



**ROTARY  
MODEL**

# RK

THE SOLUTION FOR HIGH - YIELD APPLICATION

### SPECIFICATIONS

**Evaporation Ranges :**

High Back Pressure : -15 °C to 15 °C | 5° F to 59 °F)

Low Back Pressure : -40 °C to -10 °C | -40° F to 14 °F)

**Refrigerants :**

R134A, R404A, R290

**Capacity :**

From 330 W to 2,400 W (EN 12900)



**ROTARY  
MODEL**

# HG

THE SOLUTION FOR HIGH -YIELD APPLICATIONS  
WITH REDUCED OVERALL DIMENSIONS

### SPECIFICATIONS

**Evaporation Ranges :**

High Back Pressure : -15 °C to 15 °C | 5° F to 59 °F)

Low Back Pressure : -40 °C to -10 °C | -40° F to 14 °F)

**Coolants :**

R134A, R404A, R290

**Capacity :**

From 330 W to 2,400 W (EN 12900)





# REFRIGERATION COMPRESSORS

50HZ



# ▶ 50 HZ RANGE [ AE<sup>2</sup> ]

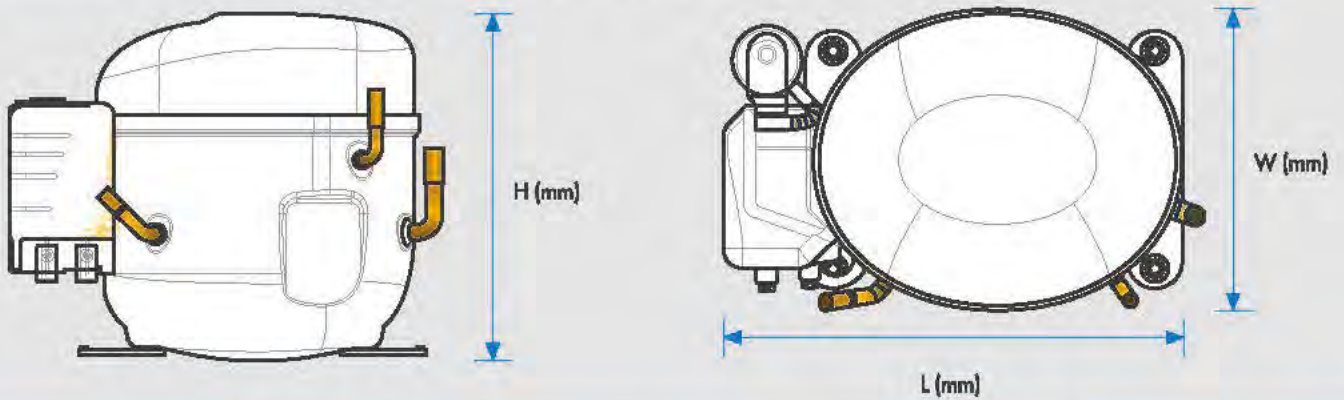


AE<sup>2</sup> Compressors for 50 Hz Range



## Dimension Specification for AE<sup>2</sup>

Specification drawing is for reference only, for detail information please refer to our staffs.



DIMENSION I			DIMENSION II		
Height (mm)	Width (mm)	Length (mm)	Height (mm)	Width (mm)	Length (mm)
197.0	158.0	250.0	208.0	158.0	250.0

MODEL	HP	Disp. (cm <sup>3</sup> )	Motor Type	CAPACITY (Watt)					CURRENT (A)		COP [W/W]	DIAMETER OF CONNECTION		DIMENSION	WEIGHT (KG)	
				-40 °C	-35 °C	-30 °C	-25 °C	-20 °C	I Nom (Amps)	I RA Max (Amps)		SUCTION (mm/inches)	LIQUID (mm/inches)			
LBP R-404A	AE2410ZFZ	1/4	5.02	CSIR	79.2	120.0	168.0	225.0	291.0	1.57	11.50	0.77	6.35 (1/4")	4.76 (3/16")	I	9.6
	AE2415ZFZ	3/8	7.33	CSIR	139.0	194.0	260.0	338.0	429.0	1.90	12.50	0.90	6.35 (1/4")	4.76 (3/16")	II	10.4
	AE2420ZFZ	1/2	9.35	CSIR	175.0	246.0	332.0	434.0	555.0	2.55	18.50	0.98	9.50 (3/8")	6.35 (1/4")	II	11.2
	AE2425ZFZ	5/8	12.01	CSIR	234.0	329.0	441.0	572.0	723.0	3.17	19.50	1.02	9.50 (3/8")	6.35 (1/4")	II	11.4
LBP R-134A	AE1390YFZ	1/6	8.02	PTCSIR	-	74.8	112.0	159.0	214.0	1.40	15.00	0.90	6.35 (1/4")	4.76 (3/16")	I	9.5
	AE2390YFZ	1/6	8.02	CSIR	-	74.8	112.0	159.0	214.0	1.33	9.50	0.90	6.35 (1/4")	4.76 (3/16")	I	9.5
	AE2410YFZ	1/4	9.39	CSIR	-	87.7	125.0	176.0	239.0	1.40	9.00	0.91	7.90 (5/16")	6.35 (1/4")	I	9.5
	AE2413YFZ	1/3	12.01	CSIR	-	114.0	165.0	229.0	307.0	1.77	12.00	0.90	7.90 (5/16")	6.35 (1/4")	II	10.5
LBP R-290	AE2415YGH	3/8	12.48	CSIR	-	114.0	165.0	229.0	307.0	1.78	14.50	0.90	7.90 (5/16")	6.35 (1/4")	II	11.2
	AE2410UFZ	1/4	5.02	CSIR	75.7	113.0	160.0	216.0	282.0	1.5	12.10	0.79	6.35 (1/4")	4.76 (3/16")	II	10.2
	AE2415UFZ	3/8	8.85	CSIR	121.0	183.0	256.0	339.0	434.0	1.92	12.50	0.93	6.35 (1/4")	4.76 (3/16")	II	10.2
	AE2420UFZ	1/2	9.35	CSIR	203.0	274.0	357.0	454.0	567.0	2.50	13.50	1.04	9.50 (3/8")	6.35 (1/4")	II	11.3

MODEL	HP	Disp. (cm <sup>3</sup> )	Motor Type	CAPACITY (Watt)					CURRENT (A)		COP (W/W)	DIAMETER OF CONNECTION		DIMENSION	WEIGHT (KG)	
				-15 °C	-10 °C	-5 °C	0 °C	5 °C	I Nom (Amps)	I RA Max (Amps)		SUCTION (mm/Inch)	LIQUID (mm/Inch)			
HBP R-404A	AE4425ZFZ	1/5	4.24	CSIR	228.0	290.0	362.0	446.0	545.0	1.89	11.00	1.99	6.35 (1/4")	4.76 (3/16")	I	9.7
	AE4430ZFZ	1/4	5.16	CSIR	285.0	361.0	447.0	547.0	661.0	2.14	12.00	2.00	6.35 (1/4")	4.76 (3/16")	I	9.7
	AE4440ZFZ	1/3	6.69	CSIR	383.0	486.0	603.0	737.0	892.0	2.74	16.00	2.09	9.50 (3/8")	6.35 (1/4")	II	10.2
	AE4450ZFZ	3/8	8.85	CSIR	510.0	642.0	791.0	959.0	1151.0	3.52	17.50	2.01	9.50 (3/8")	6.35 (1/4")	II	10.5
	AE4460ZFZ	1/2	10.33	CSIR	636.0	784.0	952.0	1144.0	1363.0	4.27	19.00	2.02	9.50 (3/8")	6.35 (1/4")	I	11.4
	AE4470ZFZ	5/8	12.10	CSR	759.0	934.0	1129.0	1349.0	1598.0	3.90	18.20	2.08	9.50 (3/8")	6.35 (1/4")	II	11.5
HBP R-134A	AE4425YFZ	1/5	6.69	CSIR	193.0	265.0	348.0	443.0	552.0	1.65	10.50	2.17	6.35 (1/4")	4.76 (3/16")	I	9.1
	AE4430YFZ	1/4	8.02	CSIR	270.0	352.0	450.0	566.0	702.0	2.13	11.50	2.25	6.35 (1/4")	4.76 (3/16")	I	9.4
	AE4440YFZ	1/3	10.33	CSIR	369.0	471.0	591.0	733.0	899.0	2.51	13.50	2.18	7.90 (5/16")	6.35 (1/4")	I	9.6
	AE4450YFZ	3/8	13.24	CSIR	482.0	619.0	779.0	964.0	1180.0	3.23	17.00	2.31	9.50 (3/8")	6.35 (1/4")	II	11.2
	AE4456YFZ	1/2	14.51	CSIR	534.0	682.0	854.0	1052.0	1282.0	3.66	17.50	2.20	9.50 (3/8")	6.35 (1/4")	II	11.2
	AE4460YFZ	1/2	15.09	CSIR	535.0	689.0	863.0	1061.0	1289.0	3.81	18.00	2.11	9.50 (3/8")	6.35 (1/4")	II	11.2
HBP R-290	AE4460YFZ	1/2	15.09	CSR	548.0	707.0	889.0	1098.0	1338.0	3.05	18.50	2.39	9.50 (3/8")	6.35 (1/4")	II	11.2
	AE4425UFZ	1/5	5.02	CSIR	250.0	318.0	395.0	483.0	582.0	1.55	9.50	2.34	6.35 (1/4")	4.76 (3/16")	I	9.4
	AE4430UFZ	1/4	6.12	CSIR	301.0	382.0	473.0	577.0	695.0	1.88	11.00	2.40	6.35 (1/4")	4.76 (3/16")	I	9.6
	AE4440UFZ	1/3	8.02	CSIR	411.0	508.0	620.0	748.0	895.0	2.38	12.50	2.35	7.90 (5/16")	6.35 (1/4")	II	9.5
	AE4450UFZ	3/8	10.33	CSIR	559.0	688.0	836.0	1007.0	1203.0	3.14	14.50	2.39	9.50 (3/8")	6.35 (1/4")	II	10.5
AE4460UFZ	1/2	12.01	CSIR	580.0	738.0	918.0	1124.0	1359.0	3.66	17.50	2.34	9.50 (3/8")	6.35 (1/4")	II	11.1	



**SUITABLE  
FOR FROZEN FOOD  
& OTHERS INDUSTRIES**

## ▶ 50 HZ RANGE [ AJ<sup>2</sup> ]

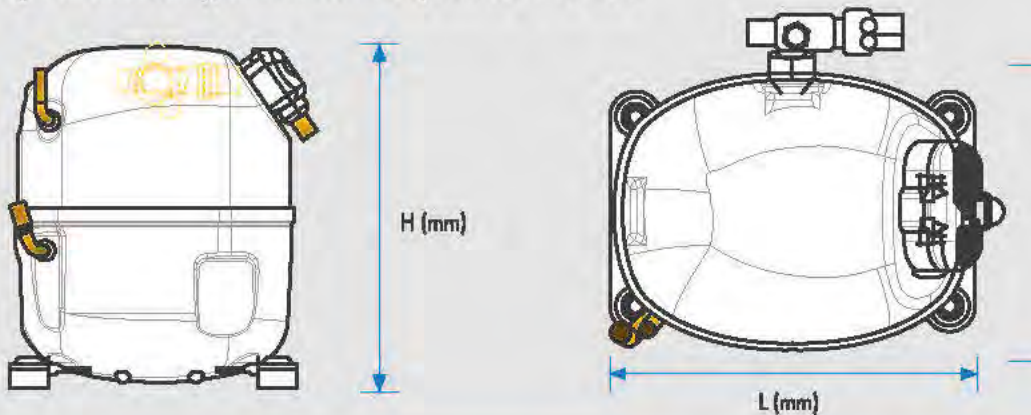


AJ<sup>2</sup> Compressors for 50 Hz Range



### Dimension Specification for AJ<sup>2</sup>

Specification drawing is for reference only, for detail information please refer to our staffs.



DIMENSION I			DIMENSION II		
Height (mm)	Width (mm)	Length (mm)	Height (mm)	Width (mm)	Length (mm)
268.0	178.5	246.0	280.0	178.5	

MODEL	HP	Disp. (cm <sup>3</sup> )	Motor Type	CAPACITY (Watt)					CURRENT (A)		COP (w/w)	DIAMETER OF CONNECTION		DIMENSION	WEIGHT (KG)	
				-40 °C	-35 °C	-30 °C	-25 °C	-20 °C	I Nom (Amps)	I Max (Amps)		SUCTION (mm/inches)	LIQUID (mm/inches)			
LBP R-404A	CAJ2428ZFZ	7/10	15.20	CSIR	202	306	434	589	773	3.3	5.1	0.83	12.7 (1/2")	6.35 (1/4")	I	19.4
	TAJ2428ZTZ	7/10	15.20	TRI	205	309	436	590	775	1.1	2.1	0.91	12.7 (1/2")	6.35 (1/4")	I	18.6
	CAJ2432ZFZ	3/4	18.30	CSR	249	381	542	738	971	2.4	5.9	0.91	12.7 (1/2")	7.9 (5/16")	I	20.1
	TAJ2432ZTZ	3/4	18.30	TRI	241	372	533	726	956	1.2	2.2	0.99	12.7 (1/2")	7.9 (5/16")	I	18.1
	CAJ2440ZFZ	1	21.00	CSR	311	463	647	870	1135	3.0	5.7	0.93	12.7 (1/2")	7.9 (5/16")	II	21.4
	CAJ2446ZFZ	1	26.20	CSR	429	627	859	1133	1451	4.0	8.2	1.04	12.7 (1/2")	7.9 (5/16")	II	21.4
	TAJ2446ZTZ	1	26.20	TRI	410	597	821	1086	1397	1.5	2.9	1.03	12.7 (1/2")	7.9 (5/16")	II	20.9
	CAJ2464ZFZ	1 1/2	34.50	CSR	589	828	1116	1459	1864	5.7	10.0	0.98	15.9 (5/8")	9.5 (3/8")	II	22.2
	TAJ2464ZTZ	1 1/2	34.50	TRI	578	820	1108	1449	1850	2.2	3.8	1.05	15.9 (5/8")	9.5 (3/8")	II	21.2
LBP R-290	CAJ2446JFZ	1	26.20	CSR	435	566	768	986	1255	3.7	7.0	1.12	12.7 (1/2")	7.9 (5/16")	I	21.0
	CAJ2464JFZ	1 1/2	34.50	CSR	604	799	1039	1332	1685	5.0	8.9	1.16	12.7 (1/2")	9.5 (3/8")	I	21.0

MODEL	HP	Disp. (cm <sup>3</sup> )	Motor Type	CAPACITY (Watt)					CURRENT (A)		COP (W/W)	DIAMETER OF CONNECTION		DIMENSION	WEIGHT (KG)	
				- 15 °C	- 10 °C	- 5 °C	0 °C	5 °C	I Norm (Amps)	I Max (Amps)		SUCTION (mm/Inches)	LIQUID (mm/Inches)			
HBP R-404A	CAJ9480ZFZ	2/3	15.20	CSR	807	1024	1271	1554	1879	4.3	6.7	2.10	12.7 (1/2")	7.9 (5/16")	I	20.1
	TAJ9480TZ	2/3	15.20	TRI	819	1043	1298	1592	1928	1.6	3.4	2.15	12.7 (1/2")	7.9 (5/16")	I	19.8
	CAJ9510ZFZ	1	18.30	CSR	1022	1289	1594	1945	2348	5.4	8.4	2.13	15.9 (5/8")	7.9 (5/16")	II	21.4
	TAJ9510TZ	1	18.30	TRI	1030	1298	1602	1947	2341	2.1	3.8	2.07	15.9 (5/8")	7.9 (5/16")	II	20.0
	CAJ9513ZFZ	1 1/8	24.20	CSR	1233	1600	2016	2489	3027	6.7	11.3	2.28	15.9 (5/8")	7.9 (5/16")	II	21.5
	TAJ9513TZ	1 1/8	24.20	TRI	1182	1536	1938	2397	2923	2.8	4.4	2.17	15.9 (5/8")	7.9 (5/16")	II	19.9
	CAJ4517ZFZ	1 1/2	25.95	CSR	1448	1830	2263	2757	3322	7.3	12.7	2.24	15.9 (5/8")	9.5 (3/8")	II	21.6
	TAJ4517TZ	1 1/2	25.95	TRI	1389	1805	2266	2783	3366	3.0	4.4	2.16	15.9 (5/8")	9.5 (3/8")	II	20.0
	CAJ4519ZFZ	1 3/5	34.50	CSR	1866	2386	2966	3619	4360	9.9	15.2	2.09	15.9 (5/8")	9.5 (3/8")	II	21.6
	TAJ4519TZ	3/5	34.45	TRI	1864	2366	2922	3545	4246	4.0	6.2	2.09	15.9 (5/8")	9.5 (3/8")	II	20.5
HBP R-22	CAJ9480TFZ	2/3	15.20	CSR	762	971	1218	1510	1854	3.9	5.3	2.34	12.7 (1/2")	7.9 (5/16")	I	19.8
	TAJ9480TFZ	2/3	15.20	TRI	891	1125	1404	1728	2096	1.7	2.8	2.39	12.7 (1/2")	7.9 (5/16")	I	19.0
	CAJ9510TFZ	1	18.30	CSR	965	1224	1527	1882	2297	4.8	7.8	2.37	15.9 (5/8")	7.9 (5/16")	II	21.1
	TAJ9510TFZ	1	18.30	TRI	1083	1368	1701	2081	2509	1.8	3.1	2.37	15.9 (5/8")	7.9 (5/16")	II	20.1
	CAJ9513TFZ	1 1/8	24.20	CSR	1217	1565	1974	2453	3013	6.0	9.6	2.55	15.9 (5/8")	7.9 (5/16")	II	21.5
	TAJ9513TFZ	1 1/8	24.20	TRI	1208	1555	1965	2448	3015	2.3	3.4	2.53	15.9 (5/8")	7.9 (5/16")	II	19.3
	CAJ4517TFZ	1 1/2	25.95	CSR	1399	1864	2390	2975	3621	6.1	10.0	2.61	15.9 (5/8")	9.5 (3/8")	II	22.2
	TAJ4517TFZ	1 1/2	25.95	TRI	1399	1864	2390	2975	3621	2.5	2.7	2.53	15.9 (5/8")	9.5 (3/8")	II	19.5
	CAJ4519TFZ	1 3/5	34.50	TRI	2017	2568	3205	3928	4738	3.5	4.2	2.55	15.9 (5/8")	9.5 (3/8")	II	20.4
	TAJ4519TFZ	1 3/5	34.50	TRI	2017	2568	3205	3928	4738	3.5	4.2	2.55	15.9 (5/8")	9.5 (3/8")	II	20.4
HBP R-134a	CAJ4452YFZ	3/5	15.20	CSIR	379	533	711	920	1166	3.3	5.2	2.17	12.7 (1/2")	6.35 (1/4")	I	18.7
	TAJ4452YTZ	2/5	15.20	TRI	423	583	775	996	1245	1.1	1.8	2.48	12.7 (1/2")	6.35 (1/4")	I	17.8
	CAJ4461YFZ	1/2	18.30	CSIR	519	686	886	1131	1421	4.0	5.9	2.18	12.7 (1/2")	6.35 (1/4")	I	18.4
	TAJ4461YTZ	1/2	18.30	TRI	543	719	930	1182	1482	1.3	2.3	2.50	12.7 (1/2")	6.35 (1/4")	I	17.8
	CAJ4478YFZ	2/3	21.80	CSIR	564	785	1045	1343	1692	4.9	6.9	2.20	12.7 (1/2")	6.35 (1/4")	I	18.3
	CAJ4492YFZ	3/4	25.95	CSIR	722	996	1313	1681	2108	5.7	8.9	2.30	12.7 (1/2")	7.9 (5/16")	II	20.3
	TAJ4492YTZ	3/4	25.95	TRI	696	993	1327	1707	2140	1.7	3.5	2.67	12.7 (1/2")	7.9 (5/16")	II	19.0
	CAJ4511YFZ	1	32.70	CSR	1014	1354	1744	2195	2714	5.1	8.6	2.51	15.9 (5/8")	7.9 (5/16")	II	21.5
	TAJ4511YTZ	1	32.70	TRI	992	1332	1724	2177	2699	2.4	3.6	2.49	15.9 (5/8")	7.9 (5/16")	II	19.0
	CAJ4513YFZ	1	34.45	CSR	1096	1453	1862	2334	2878	5.8	9.9	2.46	15.9 (5/8")	7.9 (5/16")	II	22.1
HBP R-123yf	CAJ4492NFZ	3/4	25.95	CSIR	771	1036	1330	1651	2036	5.9	9.4	2.13	12.7 (1/2")	7.9 (5/16")	II	19.8
	TAJ4492NTZ	3/4	25.95	TRI	766	1035	1336	1675	2058	1.8	3.5	2.34	12.7 (1/2")	7.9 (5/16")	II	19.9
	CAJ4511NFZ	1	32.70	CSR	1030	1341	1692	2086	2529	5.3	8.6	2.28	15.9 (5/8")	7.9 (5/16")	II	20.8
	TAJ4511NTZ	1	32.70	TRI	1031	1341	1691	2087	2537	2.4	4.2	2.19	15.9 (5/8")	7.9 (5/16")	II	19.3
	CAJ4513NFZ	1	34.45	CSR	1086	1400	1755	2199	2618	6.0	10.7	2.22	15.9 (5/8")	7.9 (5/16")	II	21.4



## CONTENT

About Us	04
General Information	07
The Essentials	08
Refrigeration Compressors [ 50HZ ]	11
Refrigeration Compressors [ 60HZ ]	32
Manufacturing Workflow	52
Condensing Unit [ 50HZ ]	58
Condensing Unit [ 60HZ ]	65
Special Condensing Unit	74
Unit Cooler	80

## ▶ 50 HZ RANGE [AJ<sup>2</sup>]

MODEL	HP	Disp. (cm <sup>3</sup> )	Motor Type	CAPACITY (Watt)					CURRENT (A)		COP (W/W)	DIAMETER OF CONNECTION		DIMENSION	WEIGHT (kg)
				-15 °C	-10 °C	-5 °C	0 °C	5 °C	I Nom (Average)	I Max (Amper)		SUCTION (mm/Inch)	LIQUID (mm/Inch)		
AJ5510EFZ	5/6	18.60	PTCSCR, CSR, PSC	802	1174	1607	2101	2656	5.2	7.3	2.30	9.50 (3/8")	6.35 (1/4")	I	18.2
AJ5512EFZ	1	21.75	PTCSCR, CSR, PSC	1204	1598	2059	2589	3187	5.9	8.2	2.34	9.50 (3/8")	6.35 (1/4")	I	18.1
AJ5513EFZ	1 1/9	24.20	PTCSCR, CSR, PSC	1472	1871	2347	2900	3532	6.0	8.8	2.49	9.50 (3/8")	6.35 (1/4")	I	19.8
AJ5515EFZ	1 1/4	25.95	PTCSCR, CSR, PSC	1668	2141	2688	3309	4004	7.2	12.0	2.44	12.70 (1/2")	7.90 (5/16")	I	20.3
TAJ5515E-TZ	1 1/4	25.95	TRI	1688	2141	2688	3309	4004	2.7	3.8	2.50	12.70 (1/2")	7.90 (5/16")	I	21.0
AJ5518EFZ	1 1/2	32.70	PTCSCR, CSR, PSC	1923	2484	3145	3919	4816	9.9	13.1	2.29	12.70 (1/2")	7.90 (5/16")	II	22.3
AJ5519EFZ	1 4/7	34.45	PTCSCR, CSR, PSC	1990	2582	3278	4088	5024	10.0	13.6	2.24	12.70 (1/2")	7.90 (5/16")	II	21.8
TAJ5519E-TZ	1 4/7	34.45	TRI	2439	2947	3587	4359	5264	3.9	5.1	2.47	12.70 (1/2")	7.90 (5/16")	II	21.3
AJ5510CFZ	5/6	18.6	PTCSCR, CSR, PSC	283	654	1103	1631	2237	4.6	7.3	2.29	9.50 (3/8")	6.35 (1/4")	I	17.7
AJ5512CFZ	1	21.75	PTCSCR, CSR, PSC	818	1202	1680	2255	2924	5.9	9.3	2.19	9.50 (3/8")	6.35 (1/4")	I	18.2
AJ5513CFZ	1 1/9	24.2	PTCSCR, CSR, PSC	954	1388	1933	2591	3361	6.0	9.3	2.32	9.50 (3/8")	6.35 (1/4")	I	19.4
AJ5515CFZ	1 1/4	25.95	PTCSCR, CSR, PSC	1222	1717	2318	3026	3841	7.3	12.0	2.28	12.70 (1/2")	7.90 (5/16")	I	19.2
TAJ5515C-TZ	1 1/4	25.95	TRI	1222	1717	2318	3026	3841	2.8	4.2	2.34	12.70 (1/2")	7.90 (5/16")	I	19.3
AJ5518CFZ	1 1/2	32.7	PTCSCR, CSR, PSC	1745	2339	3033	3841	4776	9.7	14.0	2.28	12.70 (1/2")	7.90 (5/16")	II	20.2
AJ5519CFZ	1 4/7	34.45	PTCSCR, CSR, PSC	1796	2414	3145	4006	5012	9.9	15.0	2.28	12.70 (1/2")	7.90 (5/16")	II	20.2
TAJ5519C-TZ	1 4/7	34.45	TRI	1741	2434	3240	4158	5187	4.1	5.4	2.29	12.70 (1/2")	7.90 (5/16")	II	19.4



SUITABLE  
FOR FROZEN FOOD  
& OTHERS INDUSTRIES

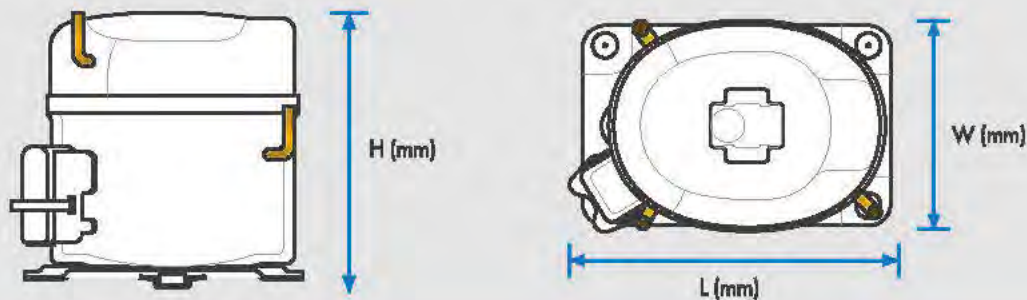
▶ 50 HZ RANGE [ TYA ]

# TYA

TYA Compressors for 50 Hz Range

## Dimension Specification for TYA

Specification drawing is for reference only, for detail information please refer to our staffs.



DIMENSION I		
Height (mm)	Width (mm)	Length (mm)
234.5	141.2	236.0

MODEL	HP	Disp. (cm <sup>3</sup> )	Motor Type	CAPACITY (Watt)					CURRENT (A)		COP (W/W)	DIAMETER OF CONNECTION		DIMENSION	WEIGHT (KG)	
				-34.4 °C	-28.9 °C	-23.3 °C	-17.3 °C	-12.2 °C	I Norm (Amps)	I RA Max (Amps)		SUCTION (mm/Inches)	LIQUID (mm/Inches)			
LBP R-404A	TYA2423ZKS	3/4	16.52	CSR	-	-	-	-	-	3.23	26.0	1.09	12.7 (1/2")	9.5 (3/8")	I	16.9
	TYA2431ZKS	1	18.80	CSR	263	486	770	1115	1445	3.62	26.0	1.17	12.7 (1/2")	9.5 (3/8")	I	16.7
	TYA2438ZKS	1 1/4	22.23	CSR	317	587	930	1346	1744	4.00	24.1	1.25	12.7 (1/2")	9.5 (3/8")	I	17.5
	TYA2446ZKS	1 1/3	26.00	CSR	398	736	1165	1687	2186	4.48	30.0	1.26	12.7 (1/2")	9.5 (3/8")	I	17.7
HBP R-404a					-17.8 °C	-12.2 °C	-6.7 °C	7.2 °C	10 °C							
	TYA9456ZKS	1 1/10	19.00	CSIR	711	1057	1435	2579	2860	6.25	28.5	1.48	12.7 (1/2")	9.5 (3/8")	I	17.5
	TYA9472ZKS	1 1/3	22.30	CSR	871	1294	1757	3158	3502	6.20	33.0	1.57	12.7 (1/2")	9.5 (3/8")	I	17.2
	TYA9486ZKS	1 1/2	26.00	CSR	1034	1537	2086	3750	4158	7.62	36.5	1.52	12.7 (1/2")	9.5 (3/8")	I	17.5
	TYA9448EKS	3/4	16.00	CSIR	479	712	966	1737	1926	5.20	25.5	1.26	12.7 (1/2")	9.5 (3/8")	I	17.8
	TYA9455EKS	1	18.80	CSIR	610	906	1230	2210	2451	5.60	28.0	1.34	12.7 (1/2")	9.5 (3/8")	I	18.1
	TYA9467EKS	1 1/6	22.30	CSR	726	1079	1464	2632	2918	5.10	31.0	1.48	12.7 (1/2")	9.5 (3/8")	I	19.3
TYA9474EKS	1 2/5	26.00	CSR	875	1301	1766	3174	3519	6.40	31.5	1.41	12.7 (1/2")	9.5 (3/8")	I	19.3	
HBP R-134a					-15.0 °C	-9.4 °C	-3.9 °C	7.2 °C	10 °C							
	TYA4452YKS	1/2	16.00	CSIR	342	605	858	1391	1564	4.00	20.0	2.11	12.7 (1/2")	9.5 (3/8")	I	17.0
	TYA4466YKS	2/3	18.80	CSIR	425	751	1066	1728	1943	4.90	19.5	2.05	12.7 (1/2")	9.5 (3/8")	I	17.5
	TYA4475YKS	3/4	22.30	CSR	511	904	1283	2079	2338	3.94	20.0	2.53	12.7 (1/2")	9.5 (3/8")	I	18.1
TYA4489YKS	1	26.00	CSR	590	1044	1482	2401	2700	4.76	26.0	2.45	12.7 (1/2")	9.5 (3/8")	I	18.6	



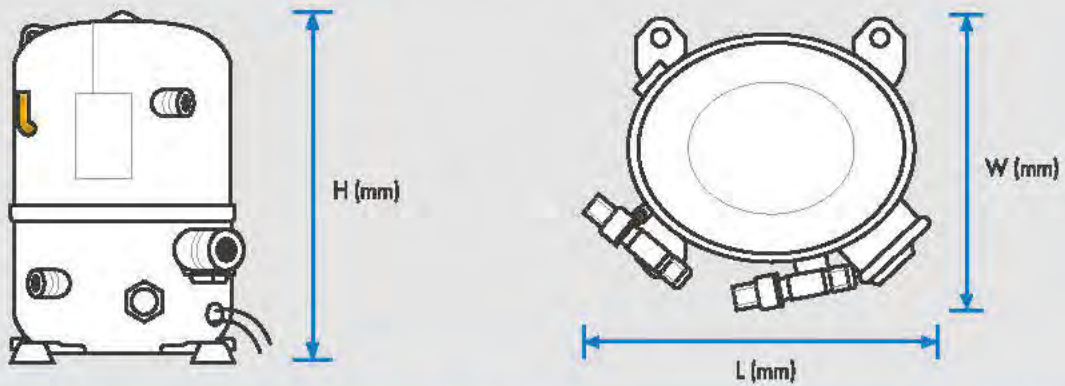
# ▶ 50 HZ RANGE [ FH ]

# FH

FH Compressors for 50 Hz Range

## Dimension Specification for FH

Specification drawing is for reference only, for detail information please refer to our staffs.



DIMENSION I			DIMENSION II			DIMENSION III		
Height (mm)	Width (mm)	Length (mm)	Height (mm)	Width (mm)	Length (mm)	Height (mm)	Width (mm)	Length (mm)
330.0	200.0	246.0	354.0	200.0	246.0	370.0	200.0	246.0

MODEL	HP	Disp. (cm <sup>3</sup> )	Motor Type	CAPACITY (Watt)					CURRENT (A)		COP (W/W)	DIAMETER OF CONNECTION		DIMENSION	WEIGHT (KG)	
				-40 °C	-35 °C	-30 °C	-25 °C	-20 °C	I Nom (Amps)	I Max (Amps)		SUCTION (mm/Inches)	LIQUID (mm/Inches)			
LBP R-404A	FH2480Z	2	53.2	CSR	668	1093	1580	2137	2775	7.2	16.0	0.89	15.9 (5/8")	12.7 (1/2")	III	37.0
	FH2511Z	2 3/4	74.2	CSR	962	1509	2151	2898	3765	11.5	24.0	0.98	15.9 (5/8")	12.7 (1/2")	III	37.0
	TFH2480Z	2	53.2	TRI	719	1125	1587	2111	2701	2.8	6.3	1.02	15.9 (5/8")	12.7 (1/2")	III	32.9
	TFH2511Z	2 3/4	74.2	TRI	971	1490	2124	2887	3791	3.7	7.2	1.07	15.9 (5/8")	12.7 (1/2")	III	32.6
				-15 °C	-10 °C	-5 °C	0 °C	5 °C								
HBP R-404A	FH4522Z	1 4/5	39.9	CSR	2323	3027	3840	4780	5859	9.7	16.0	2.22	15.9 (5/8")	12.7 (1/2")	II	32.0
	FH4524Z	2	43.5	CSR	2644	3437	4338	5364	6532	10.7	18.1	2.23	15.9 (5/8")	12.7 (1/2")	I	34.2
	FH4531Z	2 3/5	56.6	CSR	3517	4590	5716	6937	8292	14.1	22.4	2.22	22.2 (7/8")	12.7 (1/2")	II	36.0
	FH4540Z	3 2/7	74.2	CSR	4401	5604	6967	8509	10250	19.4	27.0	2.11	22.2 (7/8")	12.7 (1/2")	I	36.4
	TFH4522Z	1 4/5	39.9	TRI	2261	2983	3817	4778	5882	3.9	5.4	2.23	15.9 (5/8")	12.7 (1/2")	III	30.0
	TFH4524Z	2	43.5	TRI	2640	3443	4353	5378	6526	4.3	7.7	2.25	15.9 (5/8")	12.7 (1/2")	I	30.4
	TFH4531Z	2 3/5	56.6	TRI	3491	4469	5574	6826	8245	5.3	9.0	2.26	22.2 (7/8")	12.7 (1/2")	III	31.2
	TFH4540Z	3 2/7	74.2	TRI	4570	5784	7157	8715	10482	7.5	9.2	2.17	22.2 (7/8")	12.7 (1/2")	III	33.0

MODEL	HP	Disp. (cm <sup>3</sup> )	Motor Type	CAPACITY (Watt)					CURRENT (A)		COP (W/W)	DIAMETER OF CONNECTION		DIMENSION	WEIGHT (KG)	
				- 15 °C	- 10 °C	- 5 °C	0 °C	5 °C	I Nom (Amps)	I Max (Amps)		SUCTION (mm/Inches)	LIQUID (mm/Inches)			
HBP R-22	FH4522F	1 4/5	39.95	CSR	2257	2990	3863	4876	6030	8.4	12.1	2.58	15.9 (5/8")	12.7 (1/2")	II	32.0
	FH4524F	2	43.50	CSR	2600	3336	4249	5337	6601	9.6	13.8	2.55	15.9 (5/8")	12.7 (1/2")	V	34.0
	FH4531F	2 3/5	56.65	CSR	3702	4757	5961	7312	8811	12.6	21.0	2.57	22.2 (7/8")	12.7 (1/2")	II	36.0
	TFH4522F	1 4/5	39.95	TRI	2257	2990	3863	4876	6029	3.7	4.6	2.65	15.9 (5/8")	12.7 (1/2")	V	30.0
	TFH4524F	2	43.50	TRI	2600	3336	4249	5337	6601	3.9	4.9	2.52	15.9 (5/8")	12.7 (1/2")	III	30.0
	TFH4531F	2 3/5	56.65	TRI	3702	4757	5961	7312	8811	4.8	6.6	2.60	22.2 (7/8")	12.7 (1/2")	V	31.0
HBP R-134a	TFH4540F	3 2/7	74.25	TRI	4241	5834	7579	9474	11521	6.1	8.4	2.60	22.2 (7/8")	12.7 (1/2")	III	33.0
	FH4518Y	1 1/2	53.2	CSR	1588	2207	2942	3803	4805	7.8	11.2	2.45	15.9 (5/8")	12.7 (1/2")	I	32.0
	FH4525Y	2	74.25	CSR	2500	3348	4345	5512	6871	9.8	15.2	2.60	15.9 (5/8")	12.7 (1/2")	II	34.0
	TFH4518Y	1 1/2	53.20	TRI	1604	2222	2957	3826	4844	3.4	4.2	2.44	15.9 (5/8")	12.7 (1/2")	V	30.0
	TFH4525Y	2	74.25	TRI	2420	3242	4228	5398	6774	3.9	6.7	2.57	15.9 (5/8")	12.7 (1/2")	II	31.0
	AC R-22	FH5522E	1 5/6	39.95	PTCSCR CSR, PSC	2080	2730	3535	4495	5610	9.0	14.5	2.55	15.9 (5/8")	9.5 (3/8")	I
FH5524E		2	43.50	PTCSCR CSR, PSC	2300	3016	3895	4938	6144	10.0	16.1	2.51	15.9 (5/8")	9.5 (3/8")	I	31.5
FH5527E		2 1/4	49.10	PTCSCR CSR, PSC	2744	3447	4381	5547	6944	12.0	19.2	2.41	15.9 (5/8")	9.5 (3/8")	I	32.0
FH5531E		2 4/7	56.65	PTCSCR CSR, PSC	3331	4317	5455	6746	8189	14.1	23.0	2.47	19.0 (3/4")	9.5 (3/8")	II	33.0
FH5540E		3 1/3	74.25	PTCSCR CSR, PSC	3791	5303	6958	8755	10694	18.6	30.5	2.49	19.0 (3/4")	9.5 (3/8")	V	35.0
TFH5522E		1 5/6	39.95	TRI	2080	2730	3535	4495	5610	3.8	5.8	2.59	15.9 (5/8")	9.5 (3/8")	II	31.0
TFH5524E		2	43.50	TRI	2300	3016	3895	4938	6144	4.0	5.8	2.51	15.9 (5/8")	9.5 (3/8")	V	31.0
TFH5527E		2 1/4	49.10	TRI	2744	3447	4381	5547	6944	4.2	6.5	2.50	15.9 (5/8")	9.5 (3/8")	II	30.5
TFH5531E		2 4/7	56.65	TRI	3331	4317	5455	6746	8189	4.8	6.3	2.58	19.0 (3/4")	9.5 (3/8")	V	31.5
TFH5540E		3 1/3	74.25	TRI	3791	5303	6958	8755	10694	6.4	10.0	2.57	19.0 (3/4")	9.5 (3/8")	III	31.5
AC R-470C	FH5522C	1 5/6	39.95	PSC, CSR	1619	2322	3154	4134	5278	8.2	15.0	2.40	15.9 (5/8")	9.5 (3/8")	I	31.6
	FH5524C	2	43.50	PSC, CSR	1810	2468	3314	4370	5657	9.2	17.0	2.34	15.9 (5/8")	9.5 (3/8")	I	31.6
	FH5527C	2 1/4	49.10	PSC, CSR	2169	2869	3830	5027	6494	11.8	20.4	2.33	15.9 (5/8")	9.5 (3/8")	I	32.0
	FH5531C	2 4/7	56.65	PSC, CSR	2491	3393	4483	5788	7333	13.7	24.5	2.25	19.0 (3/4")	9.5 (3/8")	II	33.4
	FH5540C	3 1/3	74.25	PSC, CSR	3302	4519	5963	7665	9653	18.0	31.5	1.82	19.0 (3/4")	9.5 (3/8")	V	33.4
	TFH5522C	1 5/6	39.95	TRI	1629	2320	3159	4160	5341	3.5	7.1	2.06	15.9 (5/8")	9.5 (3/8")	II	31.0
	TFH5524C	2	43.50	TRI	1850	2540	3406	4450	5691	3.9	6.7	2.34	15.9 (5/8")	9.5 (3/8")	I	31.1
	TFH5527C	2 1/4	49.10	TRI	2174	2973	3953	5141	6564	4.2	7.0	2.48	15.9 (5/8")	9.5 (3/8")	II	30.6
	TFH5531C	2 4/7	56.65	TRI	2608	3525	4626	5935	7478	4.7	8.4	1.94	19.0 (3/4")	9.5 (3/8")	V	31.9
	TFH5540C	3 1/3	74.25	TRI	3159	4314	5714	7389	9366	5.0	10.6	2.40	19.0 (3/4")	9.5 (3/8")	III	31.9

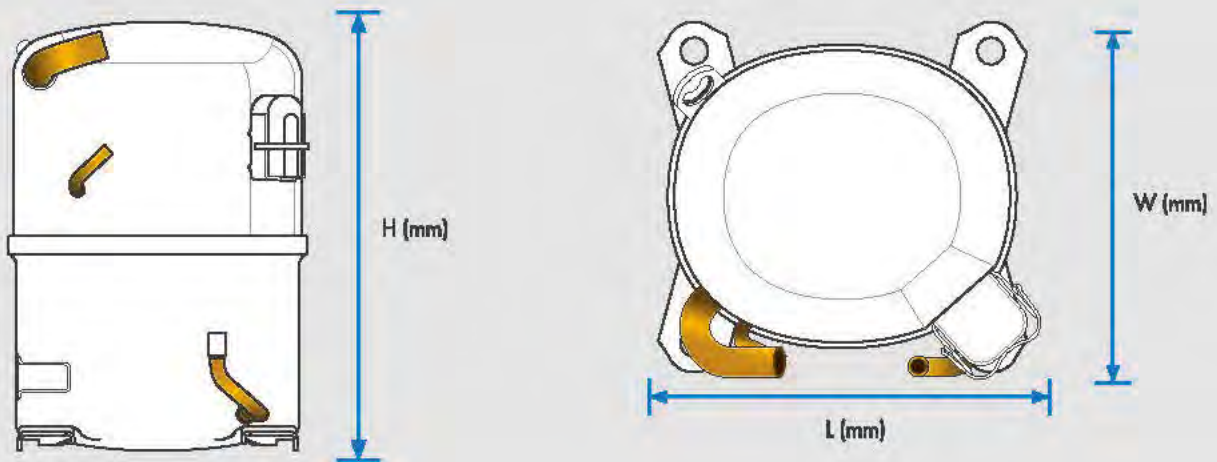
# ▶ 50 HZ RANGE [ AW ]

# AW

AW Compressors for 50 Hz Range

## Dimension Specification for AW

Specification drawing is for reference only, for detail information please refer to our staffs.



DIMENSION I		
Height (mm)	Width (mm)	Length (mm)
324.0	141.2	236.0

MODEL	HP	Disp. (cm <sup>3</sup> )	Motor Type	CAPACITY (Watt)	CURRENT (A)		COP (w/w)	DIAMETER OF CONNECTION		DIMENSION	WEIGHT (KG)	
				7.2 °C	I Nom (Amps)	I Max (Amps)		SUCTION (mm/Inches)	LIQUID (mm/Inches)			
HBP R-22	AWS4524EGF	2	43.26	TRI	5715	3.40	4.20	2.89	15.9 (5/8")	11.2 (7/16")	I	27.7
	AWS4532EGF	2 2/3	54.30	TRI	7737	4.30	5.10	3.00	15.9 (5/8")	11.2 (7/16")	I	28.5
	AWS4538EGF	3 1/6	63.00	TRI	9349	5.35	6.30	3.04	15.9 (5/8")	11.2 (7/16")	I	30.0
HBP R-404A	AWS4522ZXN	2	39.66	CSR	5418	11.45	19.10	2.57	15.9 (5/8")	11.2 (7/16")	I	26.0
	AWS4522ZXG	2	39.66	TRI	5341	3.23	5.40	2.76	15.9 (5/8")	11.2 (7/16")	I	26.0
	AWS4532ZXN	2 2/3	50.60	CSR	7925	17.60	25.20	2.71	15.9 (5/8")	11.2 (7/16")	I	28.6
	AWS4532ZXG	2 2/3	50.60	TRI	7610	4.12	5.40	2.91	15.9 (5/8")	11.2 (7/16")	I	28.0

MODEL	HP	Disp. (cm <sup>3</sup> )	Motor Type	CAPACITY (Watt)	CURRENT (A)		COP (W/W)	DIAMETER OF CONNECTION		DIMENSION	WEIGHT (KG)
				7.2 °C	I Nom (Amps)	I Max (Amps)		SUCTION (mm/Inches)	LIQUID (mm/Inches)		
AWG5515EGE	1 1/4	32.70	PSC	3809	6.30	11.00	2.72	15.9 (5/8")	11.2 (7/16")		27.0
AWG5522EGE	2	43.26	PSC	5568	8.50	13.60	2.88	15.9 (5/8")	11.2 (7/16")		27.7
AWR5524EGE	2	43.26	PSC	6069	10.00	13.80	2.92	15.9 (5/8")	11.2 (7/16")		26.5
AWR5528EGH	2 1/3	48.43	PSC	6774	10.50	16.70	2.87	15.9 (5/8")	11.2 (7/16")		29.0
AWR5530EGH	2 1/2	50.60	PSC	7384	11.70	19.00	2.88	15.9 (5/8")	11.2 (7/16")		27.8
AWS5530EGF	2 1/2	50.60	TRI	7092	3.80	6.00	3.00	15.9 (5/8")	11.2 (7/16")		28.5
AWR5532EGH	2 1/3	54.30	PTCS-CR	7852	12.20	19.00	2.89	15.9 (5/8")	11.2 (7/16")		28.0
AWR5535EGH	3	59.00	PSC	8644	13.20	23.60	2.91	15.9 (5/8")	11.2 (7/16")		30.0
AWS5535EGF	3	59.00	TRI	8558	4.90	7.00	2.95	15.9 (5/8")	11.2 (7/16")		30.0
AWR5538EXC	3 1/6	63.00	CSR	9232	14.20	25.00	2.89	15.9 (5/8")	11.2 (7/16")		29.7



**SUITABLE  
FOR FROZEN FOOD  
& OTHERS INDUSTRIES**

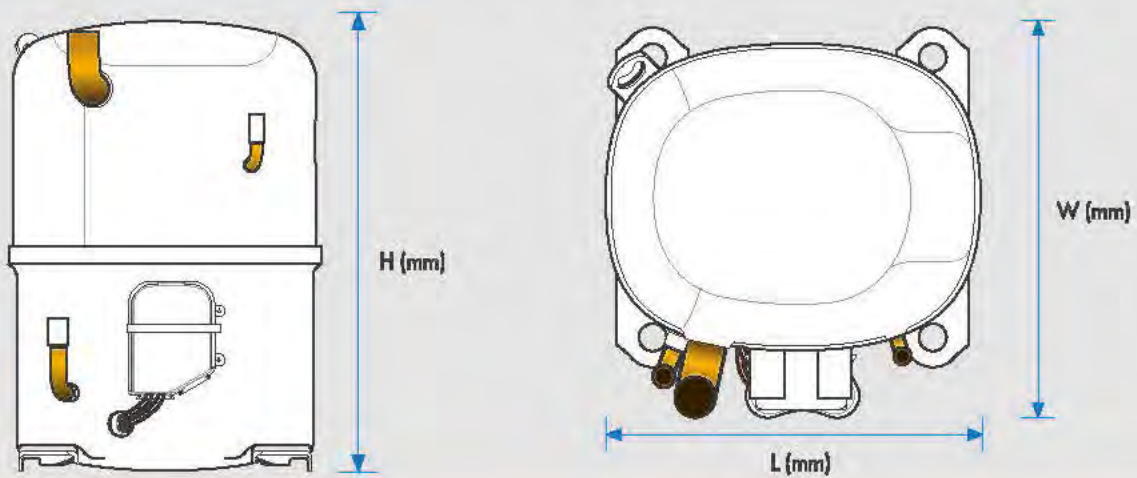
# ▶ 50 HZ RANGE [ AV ]

# AV

AV Compressors for 50 Hz Range

## Dimension Specification for AV

Specification drawing is for reference only, for detail information please refer to our staffs.



DIMENSION I			DIMENSION II			DIMENSION III		
Height (mm)	Width (mm)	Length (mm)	Height (mm)	Width (mm)	Length (mm)	Height (mm)	Width (mm)	Length (mm)
355.6	257.6	250.2	363.2	257.6	250.2	373.4	257.6	250.2

MODEL	HP	Disp. (cm <sup>3</sup> )	Motor Type	CAPACITY (Watt)					CURRENT (A)		COP (W/W)	DIAMETER OF CONNECTION		DIMENSION	WEIGHT (KG)	
				-40 °C	-35 °C	-30 °C	-25 °C	-20 °C	I Norm (Amps)	I Max (Amps)		SUCTION (mm/Inches)	LIQUID (mm/Inches)			
HBP R-404A	AVA2490ZXN	2	73.3	CSR	560	1030	1560	2210	2990	9.5	13.3	1.1	22.2 [7/8"]	12.7 [1/2"]	I	43.2
	AVA2512ZXN	3	91.0	CSR	730	1350	2050	2900	3940	14.1	19.7	1.1	22.2 [7/8"]	12.7 [1/2"]	I	42.7
	AVA2512ZXG	3	91.0	3PH	560	1200	1950	2830	3820	3.8	5.3	1.1	22.2 [7/8"]	12.7 [1/2"]	I	37.7
					-15 °C	-10 °C	-5 °C	0 °C	5 °C							
HBP R-404A	AVA9519ZXN	2 1/2	67.0	CSR	3200	4120	5090	6280	7950	15.7	18.1	2.6	22.2 [7/8"]	12.7 [1/2"]	III	38.2
	AVA9519ZXG	2 1/2	67.0	3PH	3010	3910	4990	6370	8090	4.9	5.3	2.7	22.2 [7/8"]	12.7 [1/2"]	I	38.2
	AVA9522ZXN	2 3/4	73.3	CSR	3440	4600	5730	7120	9070	17.5	20.2	2.6	22.2 [7/8"]	12.7 [1/2"]	I	38.2
	AVA7524ZXN	3	79.0	CSR	3920	5100	6470	-	-	15.7	18.6	1.8	19.0 [3/4"]	12.7 [1/2"]	I	43.2
	AVA7524ZXT	3	79.0	3PH	3990	5260	6550	-	-	9.2	10.7	1.7	22.2 [7/8"]	12.7 [1/2"]	I	35.5
	AVA9528ZXN	3 1/2	91.0	CSR	4660	5980	7420	9070	10820	23.5	28.0	2.3	19.0 [3/4"]	12.7 [1/2"]	I	38.2

MODEL	HP	Disp. (cm <sup>3</sup> )	Motor Type	CAPACITY (W <sub>int</sub> )					CURRENT (A)		COP (W/W)	DIAMETER OF CONNECTION		DIMENSION	WEIGHT (kg)
				-15 °C	-10 °C	-5 °C	0 °C	5 °C	I Max (Amps)	I Min (Amps)		SECTION (mm/inches)	LIQUID (mm/inches)		
AVAS532EXN	2 1/2	57.6	PSC	2290	3250	4360	5630	7020	13.0	14.7	2.9	19.0 (3/4")	9.5 (3/8")	■	36.8
AVAS535EXN	2 3/4	62.4	PSC	2480	3540	4750	6140	7700	13.2	14.5	2.9	19.0 (3/4")	9.5 (3/8")	■	40.0
AVAS538EXN	3	67.0	PSC	2740	3840	5220	6740	8420	14.3	16.2	2.9	22.2 (7/8")	12.7 (1/2")	■	37.3
AVAS538EXG	3	67.0	3PH	2990	4070	5320	6760	8380	4.3	4.8	3.1	22.2 (7/8")	12.7 (1/2")	I	40.0
AVAS542EXN	3 1/2	73.3	PSC	2940	4140	5630	7360	9280	16.4	18.7	2.9	22.2 (7/8")	12.7 (1/2")	I	37.7
AVAS542EXG	3 1/2	73.3	3PH	3280	4560	5950	7500	9230	5.2	5.7	2.9	22.2 (7/8")	12.7 (1/2")	I	37.7
AVAS546EXN	3 3/4	79.0	PSC	3220	4530	6150	8050	10150	17.9	20.3	2.9	22.2 (7/8")	12.7 (1/2")	I	38.6
AVAS546EXG	3 3/4	79.0	3PH	3280	4670	6280	8110	10170	5.5	6.0	2.9	22.2 (7/8")	12.7 (1/2")	I	38.6
AVB5549EXN	4	79.0	PSC	3780	5240	6930	8830	10950	17.1	19.4	3.1	22.2 (7/8")	12.7 (1/2")	I	36.8
AVB5549EXG	4	79.0	3PH	4250	5580	7100	8830	10780	5.6	6.3	3.1	22.2 (7/8")	12.7 (1/2")	I	38.6
AVB5558EXN	5	91.0	PSC	4980	6780	8690	10750	12980	20.7	23.5	3.1	22.2 (7/8")	12.7 (1/2")	I	36.6
AVB5558EXG	5	91.0	3PH	5170	6740	8550	10590	12840	6.5	7.3	3.1	22.2 (7/8")	12.7 (1/2")	I	38.6



**SUITABLE  
FOR FROZEN FOOD  
& OTHERS INDUSTRIES**

# ▶ 50 HZ RANGE [ AG ]

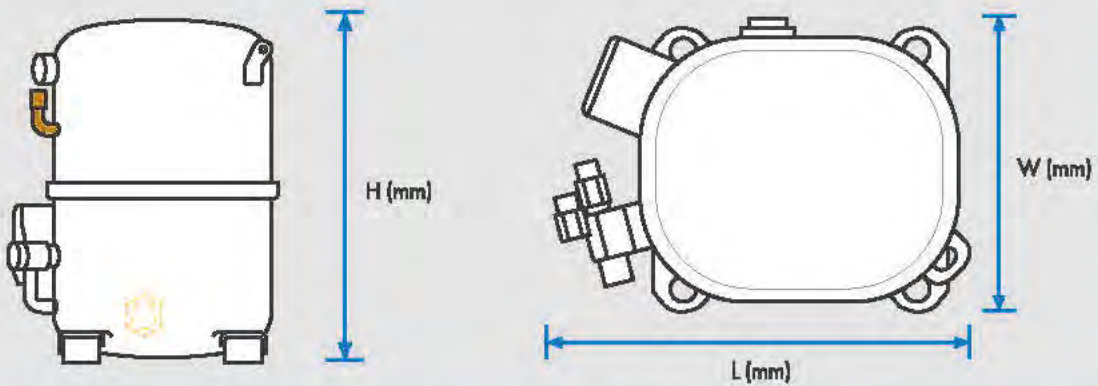


AG Compressors for 50 Hz Range



## Dimension Specification for AG

Specification drawing is for reference only, for detail information please refer to our staffs.



DIMENSION I			DIMENSION II			DIMENSION III		
Height (mm)	Width (mm)	Length (mm)	Height (mm)	Width (mm)	Length (mm)	Height (mm)	Width (mm)	Length (mm)
368.0	224.0	261.0	381.0	224.0	261.0	393.0	224.0	261.0

MODEL	HP	Disp. (cm <sup>3</sup> )	Motor Type	CAPACITY (Watt)					CURRENT (A)		COP (W/W)	DIAMETER OF CONNECTION		DIMENSION	WEIGHT (KG)	
				- 40 °C	- 35 °C	- 30 °C	- 25 °C	- 20 °C	I Nom (Amps)	I Max (Amps)		SUCTION (mm/Inches)	LIQUID (mm/Inches)			
LBP R-404A	TAG2513Z	3 1/4	100.7	TRI	872	1534	2358	3367	4585	4.2	8.5	0.94	22.2 [7/8"]	15.9 [5/8"]	I	44.0
	TAG2516Z	4	112.5	TRI	1058	1811	2710	3776	5028	4.8	9.5	0.99	22.2 [7/8"]	15.9 [5/8"]	I	45.0
	TAG2522Z	5 1/2	134.8	TRI	1777	2685	3793	5136	6747	5.7	13.4	1.12	28.6 [1 1/8"]	15.9 [5/8"]	III	47.0
	TAG2525Z	6 1/4	145.0	TRI	1984	3012	4230	5665	7342	6.3	13.3	1.13	28.6 [1 1/8"]	15.9 [5/8"]	III	46.0
					- 15 °C	- 10 °C	- 5 °C	0 °C	5 °C							
HBP R-404A	TAG4546Z	3 4/5	90.2	TRI	4721	6287	8125	10267	12746	7.0	12.1	2.39	22.2 [7/8"]	15.9 [5/8"]	I	44.0
	TAG4553Z	4 2/5	100.7	TRI	5403	7143	9180	11556	14315	7.9	14.0	2.34	22.2 [7/8"]	15.9 [5/8"]	II	45.6
	TAG4561Z	5	112.5	TRI	6210	8083	10261	12793	15728	9.2	15.3	2.29	28.6 [1 1/8"]	15.9 [5/8"]	II	46.0
	TAG4568Z	5 5/7	124.4	TRI	7425	9519	11931	14705	17887	10.3	17.8	2.44	28.6 [1 1/8"]	15.9 [5/8"]	III	47.2
	TAG4573Z	6	134.8	TRI	8071	10288	12861	15837	19265	11.4	19.0	2.29	28.6 [1 1/8"]	15.9 [5/8"]	III	48.0
	TAG4581Z	6 3/4	145.0	TRI	8931	11267	13937	16989	20471	12.7	20.8	2.23	28.6 [1 1/8"]	15.9 [5/8"]	III	48.1

MODEL	HP	Disp. (cm <sup>3</sup> )	Motor Type	CAPACITY (Watt)					CURRENT (A)		COP (W/W)	DIAMETER OF CONNECTION		DIMENSION	WEIGHT (KG)	
				- 15 °C	- 10 °C	- 5 °C	0 °C	5 °C	I Nom (Amps)	I Max (Amps)		SUCTION (mm/Inches)	LIQUID (mm/Inches)			
HBP R-22	TAG4546T	3 4/5	90.2	TRI	4644	6205	8081	10304	12905	6.6	10.0	2.91	22.2 (7/8")	15.9 (5/8")	I	44.0
	TAG4553T	4 2/5	100.7	TRI	5509	7318	9448	11928	14788	7.4	12.0	2.96	22.2 (7/8")	15.9 (5/8")	II	46.0
	TAG4561T	5	112.5	TRI	6390	8424	10853	13716	17049	9.0	15.0	2.91	28.6 (1 1/8")	15.9 (5/8")	II	46.0
	TAG4568T	5 5/7	124.4	TRI	7144	9398	12168	15456	19260	9.6	15.6	2.89	28.6 (1 1/8")	15.9 (5/8")	II	48.0
	TAG4573T	6	134.8	TRI	8008	10354	13175	16527	20463	11.0	18.0	2.73	28.6 (1 1/8")	15.9 (5/8")	III	48.0
HBP R-134a	TAG4581T	6 3/4	145.0	TRI	8231	10501	13145	16216	19763	12.2	20.0	2.58	28.6 (1 1/8")	15.9 (5/8")	II	48.1
	TAG4528Y	2 1/3	90.2	TRI	1961	2997	4307	5891	7748	4.4	10.0	2.74	22.2 (7/8")	15.9 (5/8")	I	44.0
	TAG4534Y	2 5/6	100.7	TRI	2791	3972	5452	7232	9311	4.7	10.4	2.76	22.2 (7/8")	15.9 (5/8")	I	44.0
	TAG4537Y	3	112.5	TRI	3271	4576	6222	8208	10534	5.4	10.0	2.79	22.2 (7/8")	15.9 (5/8")	I	44.0
	TAG4543Y	3 3/5	124.4	TRI	3440	4764	6511	8680	11271	5.5	10.7	2.72	22.2 (7/8")	15.9 (5/8")	I	44.0
AC R-22	TAG4547Y	3 5/6	134.8	TRI	4056	5505	7224	9252	11628	6.6	10.5	2.50	28.6 (1 1/8")	15.9 (5/8")	I	44.0
	TAG5546E	3 5/6	90.2	TRI	4031	5398	7173	9355	11946	6.6	10.0	2.79	22.2 (7/8")	12.7 (1/2")	I	42.5
	TAG5553E	4 3/7	100.7	TRI	5158	6566	8468	10866	13759	7.4	12.0	2.86	22.2 (7/8")	12.7 (1/2")	II	43.5
	TAG5561E	5	112.5	TRI	5751	7577	9874	12643	15884	9.0	15.0	2.78	22.2 (7/8")	12.7 (1/2")	II	44.5
	TAG5568E	5 2/3	124.4	TRI	6707	8610	11093	14156	17799	9.6	15.6	2.85	22.2 (7/8")	12.7 (1/2")	III	46.0
AC R-407C	TAG5573E	6	134.8	TRI	7397	9277	11837	15076	18995	11.0	18.0	2.63	22.2 (7/8")	12.7 (1/2")	II	46.0
	TAG5546C	3 5/6	90.2	TRI	2229	3462	5082	7088	9480	5.9	10.1	2.61	22.2 (7/8")	12.7 (1/2")	I	42.5
	TAG5553C	4 3/7	100.7	TRI	2748	4371	6394	8816	11638	6.7	12.0	2.60	22.2 (7/8")	12.7 (1/2")	II	43.5
	TAG5561C	5	112.5	TRI	4075	5661	7738	10304	13360	7.9	14.6	2.68	22.2 (7/8")	12.7 (1/2")	II	44.5
	TAG5568C	5 2/3	124.4	TRI	4700	6585	8926	11723	14977	8.9	10.2	2.68	22.2 (7/8")	12.7 (1/2")	II	46.0
TAG5573C	6	134.8	TRI	5376	7398	9919	12939	16457	9.8	18.5	2.65	22.2 (7/8")	12.7 (1/2")	III	46.0	



**SUITABLE  
FOR FROZEN FOOD  
& OTHERS INDUSTRIES**



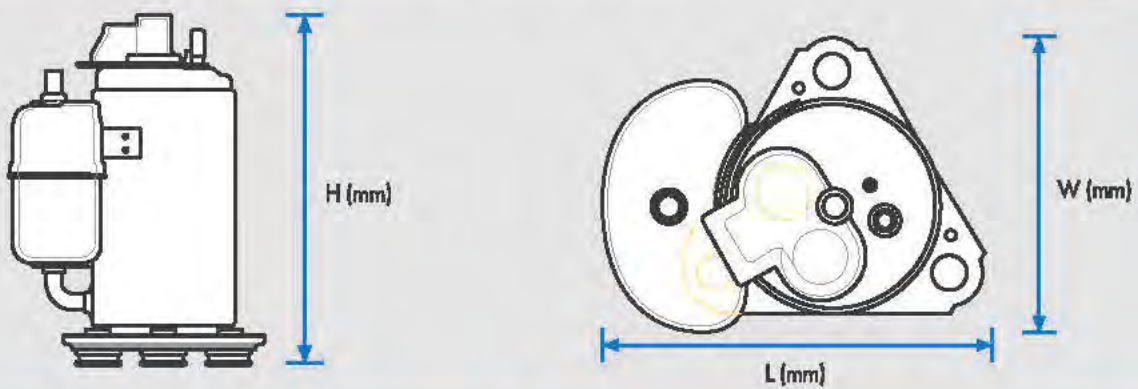
# ▶ 50 HZ RANGE [ RG ]

# RG

RG Compressors for 50 Hz Range

## Dimension Specification for RG

Specification drawing is for reference only, for detail information please refer to our staffs.



DIMENSION I			DIMENSION II			DIMENSION III		
Height (mm)	Width (mm)	Length (mm)	Height (mm)	Width (mm)	Length (mm)	Height (mm)	Width (mm)	Length (mm)
263.0	197.0	197.0	276.0	197.0	197.0	282.0	197.0	197.0

MODEL	HP	Disp. (cm <sup>3</sup> )	Motor Type	CAPACITY (Watt)					CURRENT (A)		COP (W/W)	DIAMETER OF CONNECTION		DIMENSION	WEIGHT (KG)	
				-40 °C	-35 °C	-30 °C	-25 °C	-20 °C	I Nom (Amps)	I Max (Amps)		SUCTION (mm/Inches)	LIQUID (mm/Inches)			
LBP R-404A	RGA2426Z	7/10	9.5	CSR	268	344	436	545	672	1.9	3.4	1.09	9.5 (3/8")	7.9 (5/16")	II	11.4
	RGA2432Z	3/4	11.5	CSR	332	426	537	667	818	2.4	4.2	1.13	9.5 (3/8")	7.9 (5/16")	II	12.0
	RGA2436Z	3/4	12.7	CSR	349	449	569	711	878	2.6	5.0	1.09	12.7 (1/2")	7.9 (5/16")	II	11.4
	RGA2446Z	1	16.1	CSR	452	582	738	923	1142	3.2	5.4	1.13	12.7 (1/2")	7.9 (5/16")	II	13.1
					-15 °C	-10 °C	-5 °C	0 °C	5 °C							
HBP R-404A	RGA4467Z	1/2	9.5	CSR	822	999	1202	1435	1703	2.6	4.5	2.60	9.5 (3/8")	7.9 (5/16")	II	12.5
	RGA4480Z	3/4	11.5	CSR	985	1195	1438	1717	2038	3.3	5.3	2.53	9.5 (3/8")	7.9 (5/16")	II	12.6
	RGA4492Z	7/8	12.8	CSR	1125	1365	1641	1960	2327	3.5	5.9	2.68	12.7 (1/2")	7.9 (5/16")	II	12.7
	RGA4512Z	1	16.1	CSR	1400	1700	2045	2442	2897	4.5	6.7	2.53	12.7 (1/2")	7.9 (5/16")	III	13.3
HBP R-134A	RGA4445Y	1/3	9.5	CSIR	450	562	695	852	1038	2.3	3.6	2.57	9.5 (3/8")	7.9 (5/16")	II	11.0
	RGA4450Y	3/8	11.5	CSIR	542	677	840	1033	1260	2.8	3.9	2.63	9.5 (3/8")	7.9 (5/16")	II	11.1
	RGA4460Y	1/2	12.8	CSIR	597	748	932	1153	1416	3.0	4.3	2.64	12.7 (1/2")	7.9 (5/16")	II	11.9
	RGA4476Y	5/8	16.1	CSIR	790	987	1220	1494	1814	3.7	5.4	2.74	12.7 (1/2")	7.9 (5/16")	III	12.5

MODEL	HP	Disp. (cm <sup>3</sup> )	Motor Type	CAPACITY (Watt)					CURRENT (A)		COP (W/W)	DIAMETER OF CONNECTION		DIMENSION	WEIGHT (KG)	
				- 15 °C	- 10 °C	- 5 °C	0 °C	5 °C	I Nom (Amps)	I Max (Amps)		SUCTION (mm/Inches)	LIQUID (mm/Inches)			
<b>AC R-22</b>	RGAS480E	2/3	11.52	CSR,PSC	1009	1208	1452	1742	2076	2.8	4.5	3.19	9.5 (3/8")	7.9 (5/16")	II	11.4
	RGAS492E	3/4	12.80	CSR,PSC	1099	1341	1628	1961	2339	3.1	5.2	3.23	12.7 (1/2")	7.9 (5/16")	I	11.2
	RGAS510E	5/6	14.30	CSR,PSC	1105	1347	1649	2011	2432	3.6	5.9	2.90	12.7 (1/2")	7.9 (5/16")	II	11.4
	RGAS512E	1	16.12	CSR,PSC	1401	1674	2013	2418	2889	4.0	7.0	3.05	12.7 (1/2")	7.9 (5/16")	I	11.5
<b>AC R-134A</b>	RGAS460Y	1/2	12.75	PSC	545	701	892	1123	1400	2.1	4.0	2.94	9.5 (3/8")	7.9 (5/16")	II	11.9
<b>AC R-407C</b>	RGAS450C	3/8	7.13	CSR,PSC	460	592	746	925	1132	1.7	3.2	2.78	9.5 (3/8")	7.9 (5/16")	I	10.1
	RGAS460C	1/2	8.55	CSR,PSC	585	743	932	1153	1412	2.0	3.7	2.88	9.5 (3/8")	7.9 (5/16")	I	10.3
	RGAS472C	3/5	10.24	CSR,PSC	710	898	1122	1385	1694	2.5	4.7	2.92	9.5 (3/8")	7.9 (5/16")	III	11.1
	RGAS480C	2/3	11.5	CSR,PSC	770	936	1162	1448	1793	2.8	4.6	2.83	9.5 (3/8")	7.9 (5/16")	III	11.4
	RGAS492C	3/4	12.8	CSR,PSC	845	1044	1305	1629	2015	3.0	5.8	2.94	12.7 (1/2")	7.9 (5/16")	III	11.2
	RGAS510C	5/6	14.3	CSR,PSC	935	1158	1455	1826	2271	3.56	6.1	2.76	12.7 (1/2")	7.9 (5/16")	III	11.3
	RGAS512C	1	16.1	CSR,PSC	1034	1287	1615	2018	2497	4.0	7.0	2.80	12.7 (1/2")	7.9 (5/16")	III	11.5



**SUITABLE  
FOR FROZEN FOOD  
& OTHERS INDUSTRIES**

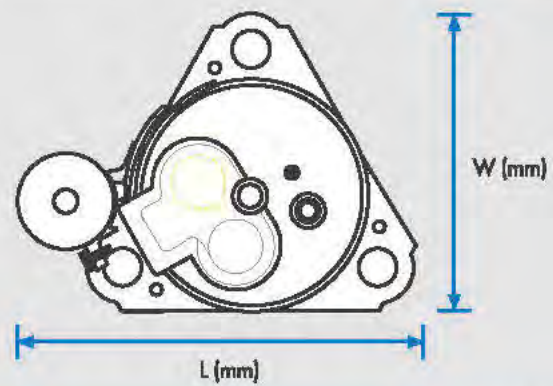
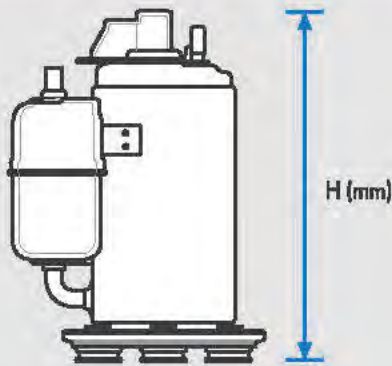
# ▶ 50 HZ RANGE [ RK ]

# RK

RK Compressors for 50 Hz Range

## Dimension Specification for RK

Specification drawing is for reference only, for detail information please refer to our staffs.



DIMENSION I			DIMENSION II			DIMENSION III		
Height (mm)	Width (mm)	Length (mm)	Height (mm)	Width (mm)	Length (mm)	Height (mm)	Width (mm)	Length (mm)
280.0	-	-	290.0	-	-	312.0	-	-

MODEL	HP	Disp. (cm <sup>3</sup> )	Motor Type	CAPACITY (Watt)					CURRENT (A)		COP (W/W)	DIAMETER OF CONNECTION		DIMENSION	WEIGHT (KG)	
				-15 °C	-10 °C	-5 °C	0 °C	5 °C	I Nom (Amps)	I Max (Amps)		SUCTION (mm/Inches)	LIQUID (mm/Inches)			
AC R-22	RK5480E	2/3	11.4	PTCSCR, CSR, PSC	963	1152	1388	1672	2004	2.8	4.8	3.10	12.7 (1/2")	7.9 (5/16")	I	11.4
	RK5490E	3/4	12.9	PTCSCR, CSR, PSC	1134	1342	1606	1925	2300	3.1	5.6	3.15	12.7 (1/2")	7.9 (5/16")	I	11.8
	RK5510E	5/6	14.6	PTCSCR, CSR, PSC	1163	1462	1804	2189	2618	3.5	5.6	3.13	12.7 (1/2")	7.9 (5/16")	II	12.3
	RK5512E	1	16.3	PTCSCR, CSR, PSC	1434	1691	2019	2418	2887	4.0	7.0	2.95	12.7 (1/2")	7.9 (5/16")	II	12.3
	RK5513E	1 1/9	18.1	PTCSCR, CSR, PSC	1534	1852	2239	2695	3221	4.3	6.9	3.14	12.7 (1/2")	7.9 (5/16")	III	13.6
	RK5515E	1 1/4	21.4	PTCSCR, CSR, PSC	1746	2124	2584	3125	3748	5.3	8.5	3.17	15.9 (5/8")	7.9 (5/16")	II	14.1
	RK5518E	1 1/2	24.4	PTCSCR, CSR, PSC	1998	2473	3029	3663	4378	6.4	10.2	3.09	15.9 (5/8")	7.9 (5/16")	III	14.2
AC R-134A	RK5450Y	3/8	11.4	CSR, PSC	643	760	920	1124	1370	1.8	2.8	2.94	12.7 (1/2")	7.9 (5/16")	I	11.7
	TRK5450Y	3/8	11.4	TRI	643	760	920	1124	1370	1.5	2.1	2.52	12.7 (1/2")	7.9 (5/16")	I	11.2
	RK5480Y	2/3	18.1	CSR, PSC	1028	1235	1506	1840	2239	2.9	5.7	2.99	12.7 (1/2")	7.9 (5/16")	II	12.0
	TRK5480Y	2/3	18.1	TRI	1028	1235	1506	1840	2239	1.5	2.1	2.69	12.7 (1/2")	7.9 (5/16")	II	11.2
	RK5512Y	1	24.4	CSR, PSC	1339	1605	1952	2381	2891	4.0	6.0	2.97	15.9 (5/8")	7.9 (5/16")	III	13.5
TRK5512Y	1	24.4	TRI	1339	1605	1952	2381	2891	2.1	2.7	2.65	15.9 (5/8")	7.9 (5/16")	III	11.2	

MODEL	HP	Disp. (cm <sup>3</sup> )	Motor Type	CAPACITY (Watt)					CURRENT (A)		COP (W/W)	DIAMETER OF CONNECTION		DIMENSION	WEIGHT (KG)	
				- 15 °C	- 10 °C	- 5 °C	0 °C	5 °C	I Nom (Amps)	I Max (Amps)		SUCTION (mm/Inches)	LIQUID (mm/Inches)			
AC R-407C	RK5480C	2/3	11.4	PTCSCR, CSR, PSC	807	986	1212	1485	1805	2.8	4.8	3.03	12.7 (1/2")	7.9 (5/16")	I	11.4
	RK5490C	3/4	12.9	PTCSCR, CSR, PSC	797	1012	1277	1592	1956	3.2	6.0	2.90	12.7 (1/2")	7.9 (5/16")	I	11.8
	RK5510C	5/6	14.6	PTCSCR, CSR, PSC	1050	1280	1572	1925	2339	3.7	6.7	3.01	12.7 (1/2")	7.9 (5/16")	II	12.3
	RK5512C	1	16.3	PTCSCR, CSR, PSC	1122	1385	1716	2112	2575	4.1	6.7	2.90	12.7 (1/2")	7.9 (5/16")	II	12.3
	RK5513C	1 1/9	18.1	PTCSCR, CSR, PSC	1279	1558	1912	2339	2840	4.5	7.5	2.97	12.7 (1/2")	7.9 (5/16")	III	12.9
	RK5515C	1 1/4	21.4	PTCSCR, CSR, PSC	1558	1898	2329	2849	3460	5.4	8.8	3.10	15.9 (5/8")	7.9 (5/16")	III	14.1
	RK5518C	1 1/2	24.4	PTCSCR, CSR, PSC	1794	2182	2673	3266	3963	6.6	12.2	2.99	15.9 (5/8")	7.9 (5/16")	III	13.8
	TRK5518C	1 1/2	24.4	TRI	1658	2119	2666	3308	4058	2.7	4.3	2.98	15.9 (5/8")	7.9 (5/16")	III	13.1
R-407C / R-22	RK5512W	1	16.3	PTCSCR, CSR, PSC	1222	1385	1716	2112	2575	4.1	6.7	2.90	12.7 (1/2")	7.9 (5/16")	III	12.3
	RK5513W	1 1/9	18.1	PTCSCR, CSR, PSC	1279	1558	1912	2339	2840	4.5	7.5	2.97	12.7 (1/2")	7.9 (5/16")	III	12.9
	RK5515W	1 1/4	21.4	PTCSCR, CSR, PSC	1558	1898	2329	2849	3460	5.4	8.8	3.10	15.9 (5/8")	7.9 (5/16")	III	14.1
	RK5518W	1 1/2	24.4	PTCSCR, CSR, PSC	1794	2182	2673	3266	3963	6.6	12.2	2.99	15.9 (5/8")	7.9 (5/16")	III	13.8
AC R-290	RK5518U	1 1/2	24.4	CSR, PSC	1525	1916	2370	2893	3493	5.6	9.1	2.79	15.9 (5/8")	7.9 (5/16")	III	14.1



**SAFE FOR  
FOOD INDUSTRIES**

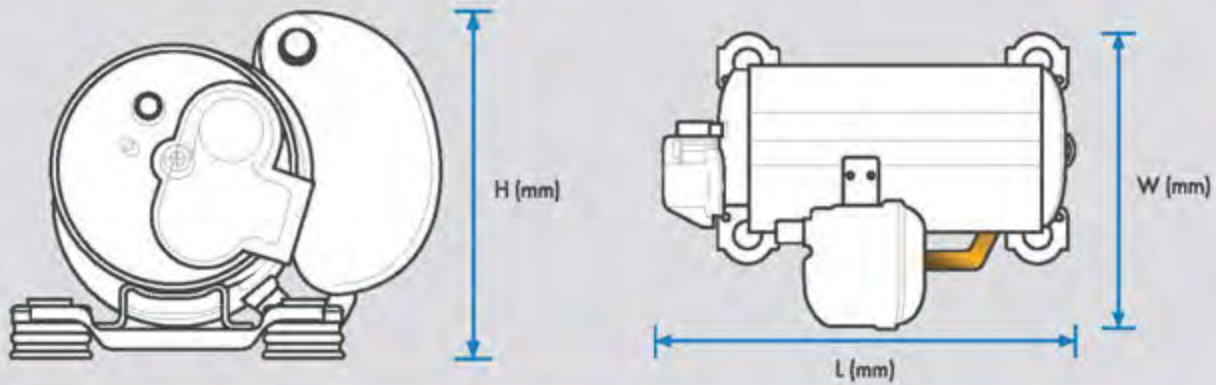
# ▶ 50 HZ RANGE [HG]

## HG

HG Compressors for 50 Hz Range

### Dimension Specification for HG

Specification drawing is for reference only, for detail information please refer to our staffs.



DIMENSION I			DIMENSION II			DIMENSION III		
Height (mm)	Width (mm)	Length (mm)	Height (mm)	Width (mm)	Length (mm)	Height (mm)	Width (mm)	Length (mm)
163.4	207.6	267.0	163.4	207.6	270.7	163.4	207.6	280.6

MODEL	HP	Disp. (cm <sup>3</sup> )	Motor Type	CAPACITY (Watt)					CURRENT (A)		COP (W/W)	DIAMETER OF CONNECTION		DIMENSION	WEIGHT (KG)	
				-40 °C	-35 °C	-30 °C	-25 °C	-20 °C	I Nom (Amps)	I Max (Amps)		SUCTION (mm/Inches)	LIQUID (mm/Inches)			
LBP R-404A	HGA2426Z	7/10	9.5	CSR	268	344	436	545	672	1.9	3.4	1.09	9.5 (3/8")	7.9 (5/16")	II	11.4
	HGA2432Z	3/4	11.5	CSR	332	426	537	667	818	2.4	4.2	1.13	9.5 (3/8")	7.9 (5/16")	II	12.0
	HGA2436Z	9/10	12.8	CSR	349	449	569	711	878	2.6	5.0	1.09	12.7 (1/2")	7.9 (5/16")	III	11.4
	HGA2446Z	1	16.1	CSR	452	582	738	923	1142	3.2	5.4	1.13	12.7 (1/2")	7.9 (5/16")	III	13.2
					-15 °C	-10 °C	-5 °C	0 °C	5 °C							
HBP R-404A	HGA4467Z	1/2	9.5	CSR	822	999	1202	1435	1703	2.6	4.5	2.60	9.5 (3/8")	7.9 (5/16")	I	12.5
	HGA4480Z	3/4	11.5	CSR	985	1195	1438	1717	2038	3.3	5.3	2.53	9.5 (3/8")	7.9 (5/16")	II	12.6
	HGA4492Z	7/8	12.8	CSR	1125	1365	1641	1960	2327	3.5	5.9	2.68	12.7 (1/2")	7.9 (5/16")	III	12.7
	HGA4512Z	1	16.1	CSR	1400	1700	2045	2442	2897	4.5	6.7	2.53	12.7 (1/2")	7.9 (5/16")	III	13.3
HBP R-290	HGA4467U	1/2	9.52	CSR	672	818	985	1175	1391	2.0	3.0	2.97	9.5 (3/8")	7.9 (5/16")	I	12.5
	HGA4492U	7/8	12.75	CSR	906	1101	1324	1580	1870	2.5	3.7	3.07	12.7 (1/2")	7.9 (5/16")	III	12.7
	HGA4512U	1	16.12	CSR	1171	1418	1700	2024	2392	3.3	5.4	3.02	12.7 (1/2")	7.9 (5/16")	III	13.3

MODEL	HP	Disp. (L)	Motor Type	CAPACITY (kg/d)					CURRENT (A)		COP (W/W)	DIAMETER OF CONNECTION		REFILL	WEIGHT (kg)	
				-18 °C	-18 °C	-8 °C	8 °C	8 °C	1 Phase (Single)	1 Phase (Single)		VACUUM (mm/Inch)	LIQUID (mm/Inch)			
<b>HP 6-18AA</b>	HGA4445Y	1/3	9.50	CSE	450	562	695	852	1098	2.3	3.6	2.57	9.5 (3/8")	7.9 (5/16")	I	11.1
	HGA4450Y	3/8	11.50	CSE	542	677	840	1039	1290	2.6	3.9	2.63	9.5 (3/8")	7.9 (5/16")	I	11.1
	HGA4460Y	1/2	12.80	CSE	597	748	922	1159	1416	3.0	4.3	2.64	12.7 (1/2")	7.9 (5/16")	I	11.9
	HGA4478Y	5/8	16.10	CSE	793	987	1220	1494	1814	3.7	5.4	2.74	12.7 (1/2")	7.9 (5/16")	I	12.5
<b>AC 8-8Z</b>	HGA5467E	1/2	9.52	CSR/JSC	705	881	1099	1334	1620	2.4	4.0	3.01	9.5 (3/8")	7.9 (5/16")	I	11.3
	HGA5480E	2/3	11.50	CSR/JSC	898	1104	1355	1647	1984	2.9	5.0	2.98	9.5 (3/8")	7.9 (5/16")	I	11.7
	HGA5485E	3/7	11.75	CSR/JSC	929	1149	1407	1711	2066	2.9	5.2	3.11	9.5 (3/8")	7.9 (5/16")	I	12.0
	HGA5492E	3/4	12.80	CSR/JSC	922	1171	1462	1798	2183	3.1	5.3	3.02	12.7 (1/2")	7.9 (5/16")	I	11.3
	HGA5510E	3/6	14.3	CSR/JSC	1267	1499	1804	2161	2571	3.6	5.9	3.02	12.7 (1/2")	7.9 (5/16")	I	11.6
	HGA5512E	1	16.10	CSR/JSC	1416	1630	1986	2414	2893	4.0	7.1	3.01	12.7 (1/2")	7.9 (5/16")	I	11.7
<b>AC 1-487C</b>	HGA5450C	3/8	7.13	CSR/JSC	460	592	746	925	1192	1.7	3.2	2.78	9.5 (3/8")	7.9 (5/16")	I	10.1
	HGA5458C	3/8	7.95	CSR/JSC	517	667	842	1148	1386	1.9	3.3	3.10	9.5 (3/8")	7.9 (5/16")	I	10.2
	HGA5460C	1/2	8.35	CSR/JSC	585	745	932	1199	1412	2.0	3.7	2.86	9.5 (3/8")	7.9 (5/16")	I	10.5
	HGA5472C	3/5	10.24	CSR/JSC	710	898	1123	1385	1694	2.5	4.7	2.92	9.5 (3/8")	7.9 (5/16")	I	11.1
	HGA5480C	2/3	11.50	CSR/JSC	797	1011	1263	1557	1900	2.7	4.6	2.79	9.5 (3/8")	7.9 (5/16")	I	11.5
	HGA5492C	3/4	12.80	CSR/JSC	843	1043	1305	1630	2017	3.0	5.8	2.94	12.7 (1/2")	7.9 (5/16")	I	11.2
	HGA5510C	5/6	14.30	CSR/JSC	934	1158	1455	1826	2207	3.6	6.1	2.76	12.7 (1/2")	7.9 (5/16")	I	11.4
	HGA5513C	1	16.10	CSR/JSC	1033	1297	1616	2019	2498	4.0	7.0	2.90	12.7 (1/2")	7.9 (5/16")	I	11.6



# REFRIGERATION COMPRESSORS

60HZ



## ▶ 60 HZ RANGE [ AE<sup>2</sup> ]

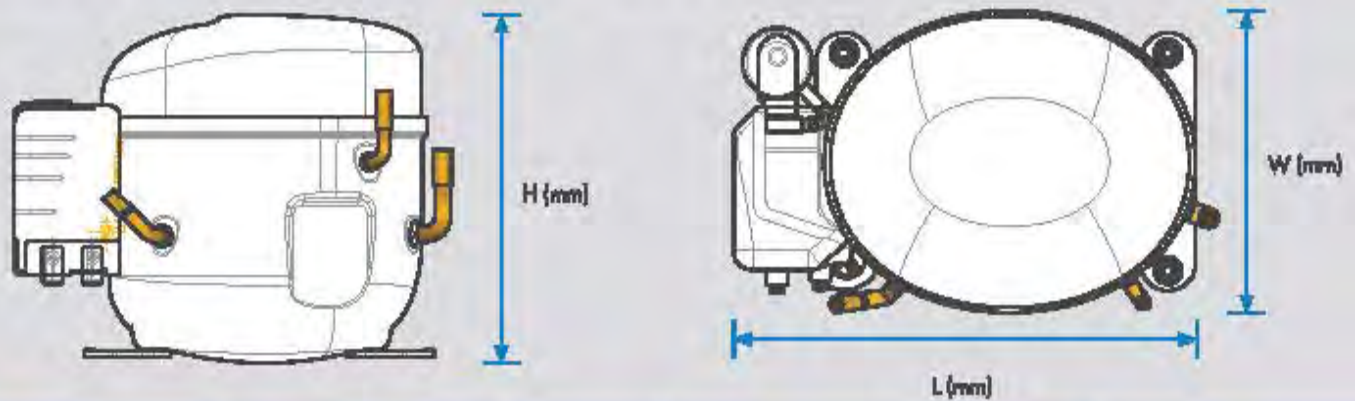


AE<sup>2</sup> Compressors for 60 Hz Range



### Dimension Specification for AE<sup>2</sup>

Specification drawing is for reference only, for detail information please refer to our staffs.



DIMENSION I			DIMENSION II		
Height (mm)	Width (mm)	Length (mm)	Height (mm)	Width (mm)	Length (mm)
197.0	158.0	250.0	208.0	158.0	250.0

MODEL	HP	Disp. (cm <sup>3</sup> )	Motor Type	CAPACITY (Went)					CURRENT (A)		COP (W/W)	DIAMETER OF CONNECTION		Mounting	WEIGHT (KG)	
				-40 °C	-35 °C	-30 °C	-25 °C	-20 °C	I Nom (Ampere)	ISA Max (Ampere)		SUCTION (mm/inches)	LIQUID (mm/inches)			
IEP E-40A	AE2410ZGS	1/4	5.02	CSIR	99.4	148	206	274	354	1.61	13.8	0.82	6.35(1/4")	4.76(3/16")	I	9.8
	AE2413ZGS	1/3	6.12	CSIR	104	151	208	276	358	1.88	14.0	0.76	6.35(1/4")	4.76(3/16")	II	10.2
	AE2415ZGS	3/8	7.33	CSIR	157	223	301	393	501	2.09	15.5	0.95	6.35(1/4")	4.76(3/16")	II	10.2
	AE2420ZGS	1/2	9.33	CSIR	212	301	404	525	664	2.64	19.0	1.04	9.50(3/8")	6.35(1/4")	II	10.6
	AE2425ZGS	5/8	12.01	CSIR	254	343	457	595	753	2.57	25.5	0.98	9.50(3/8")	6.35(1/4")	II	11.2
	AE2410ZAA	1/4	5.02	CSIR	100	144	197	261	338	3.60	28.0	0.77	6.35(1/4")	4.76(3/16")	I	9.8
	AE2415ZAA	3/8	7.33	CSIR	148	214	294	388	499	4.45	32.0	0.85	6.35(1/4")	4.76(3/16")	II	10.2
	AE2420ZAA	1/2	9.35	CSIR	210	300	404	526	667	5.20	36.0	0.97	9.50(3/8")	6.35(1/4")	II	10.6
	AE2425ZAA	5/8	12.01	CSIR	284	395	520	661	823	5.87	39.0	0.99	9.50(3/8")	6.35(1/4")	II	11.2
IEP E-15A	AE1390YAA	1/6	3.02	PICSR	-	-	-	-	-	2.74	26.5	-	-	-	I	9.7
	AE2410YAA	1/4	9.39	CSIR	-	-	-	-	-	3.11	28.5	-	-	-	I	10.2
	AE2413YAA	1/3	12.01	CSIR	-	-	-	-	-	3.45	29.0	-	-	-	II	10.8



# ▶ 60 HZ RANGE [ AE<sup>2</sup> ]

MODEL	HP	Disp. (cm <sup>3</sup> )	Motor Type	CAPACITY (Watt)					CURRENT (A)		COP (W/W)	DIAMETER OF CONNECTION		DIMENSION	WEIGHT (KG)	
				-40 °C	-35 °C	-30 °C	-25 °C	-20 °C	I Nom (Amps)	LRA Max (Amps)		SUCTION (mm/Inches)	LIQUID (mm/Inches)			
LBP R-290	AE2410U-GS	1/4	6.12	CSIR	-	-	-	-	-	1.42	12.0	-	7.90(5/16")	6.35(1/4")		10.2
	AE2413U-GS	1/3	7.33	CSIR	-	-	-	-	-	1.82	14.0	-	7.90(5/16")	6.35(1/4")		10.2
	AE2413U-AA	1/3	7.33	CSIR	-	-	-	-	-	3.50	25.5	-	7.90(5/16")	6.35(1/4")		10.2
	AE2420U-AA	1/2	10.96	CSIR	229	331	390	522	677	5.15	32.5	-	7.90(5/16")	6.35(1/4")		10.6
				-15 °C	-10 °C	-5 °C	0 °C	5 °C								
LBP R-404A	AE4425Z-GS	1/5	4.24	CSIR	280	364	457	560	675	2.1	14.2	2.01	6.35(1/4")	4.76(3/16")		10.9
	AE4430Z-GS	1/4	5.16	CSIR	336	437	549	673	812	2.4	18.9	2.02	6.35(1/4")	4.76(3/16")		11.0
	AE4440Z-GS	1/3	6.69	CSIR	442	577	731	906	1107	3.2	21.0	2.23	9.50(3/8")	6.35(1/4")		11.3
	AE4450Z-GS	3/8	8.85	CSIR	640	803	985	1188	1415	3.2	21.0	2.10	9.50(3/8")	6.35(1/4")		11.0
	AE4460Z-GS	1/2	10.33	CSIR	750	929	1131	1363	1628	3.7	22.0	2.11	9.50(3/8")	6.35(1/4")		12.2
	AE4425Z-AA	1/5	4.24	CSIR	287	366	455	556	670	4.2	27.0	1.94	6.35(1/4")	4.76(3/16")		9.9
	AE4430Z-AA	1/4	5.16	CSIR	356	453	563	688	830	5.1	32.0	1.95	6.35(1/4")	4.76(3/16")		9.8
	AE4440Z-AA	1/3	6.69	CSIR	457	587	732	895	1077	6.3	36.0	2.13	9.50(3/8")	6.35(1/4")		11.0
	AE4450Z-AA	3/8	8.85	CSIR	629	786	964	1169	1403	8.2	38.0	1.89	9.50(3/8")	6.35(1/4")		11.3
	AE4460Z-AA	1/2	10.33	CSIR	767	943	1143	1371	1633	9.6	49.0	1.93	9.50(3/8")	6.35(1/4")		11.4
	AE4470Z-AA	5/8	12.01	CSIR	866	1054	1270	1520	1809	9.5	48.0	1.93	9.50(3/8")	6.35(1/4")		12.2
	AE4425Y-GS	1/5	6.69	CSIR	247	329	424	535	664	1.9	11.0	2.09	6.35(1/4")	4.76(3/16")		9.2
	AE4430Y-GS	1/4	8.02	CSIR	320	421	540	680	843	2.4	12.6	2.23	6.35(1/4")	4.76(3/16")		11.0
	AE4440Y-GS	1/3	10.33	CSIR	451	583	733	905	1103	3.0	16.0	2.24	7.90(5/16")	6.35(1/4")		11.4
AE4450Y-GS	3/8	13.24	CSIR	580	743	932	1152	1409	3.2	24.5	2.36	9.50(3/8")	6.35(1/4")		12.0	
AE4456Y-GS	1/2	14.51	CSIR	618	796	1000	1237	1511	3.4	17.5	2.24	9.50(3/8")	6.35(1/4")		11.5	
AE4460Y-GS	1/2	15.09	CSIR	623	802	1010	1253	1537	3.7	17.5	2.05	9.50(3/8")	6.35(1/4")		13.0	
AE4425Y-AA	1/5	6.69	CSIR	258	342	439	552	684	3.6	20.0	2.09	6.35(1/4")	4.76(3/16")		9.1	
AE4430Y-AA	1/4	8.02	CSIR	314	414	531	669	829	4.9	27.5	2.09	6.35(1/4")	4.76(3/16")		9.5	
AE4440Y-AA	1/3	10.33	CSIR	433	552	695	867	1071	5.8	32.0	2.03	7.90(5/16")	4.76(3/16")		9.6	
AE4450Y-AA	3/8	13.24	CSIR	554	719	909	1128	1381	7.8	42.0	2.15	9.50(3/8")	6.35(1/4")		11.3	
AE4456Y-AA	1/2	14.51	CSIR	626	803	1006	1239	1508	8.5	44.5	2.12	9.50(3/8")	6.35(1/4")		11.4	
AE4460Y-AA	1/2	15.09	CSIR	638	816	1023	1264	1543	7.3	49.0	2.16	9.50(3/8")	6.35(1/4")		12.2	
AE4430U-AA	1/4	6.12	CSIR	-	-	-	-	-	4.2	24.5	-	6.35(1/4")	4.76(3/16")		9.7	
AE4435U-AA	1/4	6.91	CSIR	-	-	-	-	-	5.0	30.5	-	-	-		10.3	
AE4440U-AA	1/3	8.02	CSIR	-	-	-	-	-	5.5	30.5	-	-	-		10.2	
AE4460U-AA	1/2	12.01	CSIR	-	-	-	-	-	8.9	43.5	-	9.50(3/8")	6.35(1/4")		11.2	

## ▶ 60 HZ RANGE [ AJ<sup>2</sup> ]



AJ<sup>2</sup> Compressors for 60 Hz Range

### Dimension Specification for AJ<sup>2</sup>

Specification drawing is for reference only, for detail information please refer to our staffs.



H (mm)



W (mm)

L (mm)

DIMENSION I			DIMENSION II			DIMENSION III		
Height (mm)	Width (mm)	Length (mm)	Height (mm)	Width (mm)	Length (mm)	Height (mm)	Width (mm)	Length (mm)
258.0	178.5	246.0	271.0	178.5	246.0	282.0	178.5	246.0

MODEL	HP	Disp. (cm <sup>3</sup> )	Motor Type	CAPACITY (Watt)					CURRENT (A)		COP W/W	DIAMETER OF CONNECTION		DIMENSION	WEIGHT (KG)
				-40 °C	-35 °C	-30 °C	-25 °C	-20 °C	I Nom (Amps)	I Max (Amps)		SUCTION (mm/Inches)	LIQUID (mm/Inches)		
CAJ2428ZH-Z	7/10	15.20	CSR	234	356	504	683	897	4.2	7.3	0.79	12.7 (1/2")	6.35 (1/4")		19.7
CAJ2428ZXA	7/10	15.20	CSR	242	366	518	702	920	7.6	12.4	0.86	12.7 (1/2")	6.35 (1/4")		19.5
CAJ2432ZH-Z	3/4	18.30	CSR	289	441	629	856	1127	3.3	6.4	0.84	12.7 (1/2")	7.9 (5/16")		20.3
CAJ2432ZXA	3/4	18.30	CSR	289	441	629	856	1127	6.6	14.9	0.85	12.7 (1/2")	7.9 (5/16")		20.3
CAJ2446ZH-Z	1	26.20	CSR	499	724	992	1306	1674	5.1	11.8	0.97	12.7 (1/2")	7.9 (5/16")		21.7
CAJ2446ZXA	1	26.20	CSR	499	724	992	1306	1674	9.6	19.4	0.99	12.7 (1/2")	7.9 (5/16")		21.9
TAJ2446ZK-Z	1	26.20	TRI	576	815	1096	1423	1803	3.1	7.3	1.16	12.7 (1/2")	7.9 (5/16")		20.8
CAJ2464ZH-Z	1 1/2	34.50	CSR	656	936	1271	1670	2139	6.5	14.0	0.96	15.9 (5/8")	9.5 (3/8")		22.7
CAJ2464ZXA	1 1/2	34.50	CSR	656	936	1271	1670	2139	13.0	23.4	1.00	15.9 (5/8")	9.5 (3/8")		22.3
TAJ2464ZK-Z	1 1/2	34.50	TRI	675	952	1282	1670	2125	3.9	8.3	1.06	15.9 (5/8")	9.5 (3/8")		21.6

LBP R-404A

# ▶ 60 HZ RANGE [ AJ<sup>2</sup> ]

MODEL	HP	Disp. (cm <sup>3</sup> )	Motor Type	CAPACITY (Watt)					CURRENT (A)		COP (W/W)	DIAMETER OF CONNECTION		DIMENSION	WEIGHT (KG)	
				- 15 °C	- 10 °C	- 5 °C	0 °C	5 °C	I Nom (Amps)	I Max (Amps)		SUCTION (mm/Inches)	LIQUID (mm/Inches)			
HBP R-404A	CAJ9480Z-HZ	2/3	15.20	CSR	1038	1307	1611	1952	2332	5.8	9.0	2.03	12.7 (1/2")	7.9 (5/16")	II	21.0
	CAJ9480Z-XA	2/3	15.20	CSR	1038	1307	1611	1952	2332	10.9	16.9	2.03	12.7 (1/2")	7.9 (5/16")	I	20.7
	CAJ9510Z-HZ	1	18.30	CSR	1308	1635	2005	2413	2854	7.3	11.8	2.02	15.9 (5/8")	7.9 (5/16")	II	23.0
	CAJ9510Z-XA	1	18.30	CSR	1308	1635	2005	2413	2854	14.2	21.4	1.97	15.9 (5/8")	7.9 (5/16")	II	21.9
	CAJ9513Z-HZ	1 1/8	24.20	CSR	1461	1887	2358	2884	3475	8.5	13.7	2.04	15.9 (5/8")	7.9 (5/16")	II	22.0
	CAJ9513Z-XA	1 1/8	24.20	CSR	1433	1867	2348	2887	3494	16.2	22.4	2.02	15.9 (5/8")	7.9 (5/16")	I	22.0
	CAJ4517Z-HZ	1 1/2	25.95	CSR	1861	2327	2868	3476	4142	9.2	14.9	2.26	15.9 (5/8")	9.5 (3/8")	II	22.2
	TAJ4517Z-KZ	1 1/2	25.95	TRI	1861	2327	2868	3476	4142	5.8	8.9	2.28	15.9 (5/8")	9.5 (3/8")	II	20.8
	CAJ4519Z-HZ	1 3/5	34.50	CSR	2423	3069	3790	4578	5422	12.3	17.0	2.19	15.9 (5/8")	9.5 (3/8")	II	21.8
	TAJ4519Z-KZ	1 3/5	34.50	TRI	2110	2692	3319	4009	4780	8.3	11.1	2.36	15.9 (5/8")	9.5 (3/8")	II	21.5
	CAJ4452Y-HZ	2/5	15.20	CSIR	502	692	918	1176	1465	4.3	6.5	2.25	12.7 (1/2")	6.35 (1/4")	II	19.2
	CAJ4452Y-XA	2/5	15.20	CSIR	429	621	843	1098	1393	8.2	13.5	2.13	12.7 (1/2")	6.35 (1/4")	II	18.7
HBP R-134a	CAJ4461Y-HZ	1/2	18.30	CSIR	643	842	1085	1371	1696	5.1	8.2	2.10	12.7 (1/2")	6.35 (1/4")	II	18.7
	CAJ4461Y-XA	1/2	18.30	CSIR	604	822	1079	1381	1733	9.4	13.6	2.09	12.7 (1/2")	6.35 (1/4")	I	18.8
	CAJ4476Y-HZ	2/3	21.80	CSIR	728	991	1306	1669	2078	6.0	8.6	2.19	12.7 (1/2")	6.35 (1/4")	II	18.8
	CAJ4476Y-XA	2/3	21.80	CSIR	728	991	1306	1669	2078	11.0	15.2	2.21	12.7 (1/2")	6.35 (1/4")	II	18.7
	TAJ4476Y-KZ	2/3	22.80	TRI	588	871	1197	1574	2009	2.8	5.1	2.48	12.7 (1/2")	6.35 (1/4")	II	18.2
	CAJ4492Y-HZ	3/4	25.95	CSIR	793	1142	1541	1988	2479	7.3	10.2	2.50	12.7 (1/2")	7.9 (5/16")	II	20.1
	CAJ4492Y-XA	3/5	25.95	CSIR	689	1047	1440	1877	2366	12.9	17.8	2.16	12.7 (1/2")	7.9 (5/16")	II	20.3
	CAJ4511Y-HZ	1	32.70	CSR	1192	1608	2097	2655	3277	7.3	10.3	2.43	15.9 (5/8")	7.9 (5/16")	II	21.5
	TAJ4511Y-KZ	1	32.70	TRI	1150	1601	2093	2634	3234	4.6	7.1	2.32	15.9 (5/8")	7.9 (5/16")	II	20.0
	TAJ4517T-KZ	1 1/5	25.95	TRI	1676	2234	2851	3528	4215	5.3	8.9	2.46	15.9 (5/8")	9.5 (3/8")	II	20.5
	TAJ4519T-KZ	1 3/5	34.50	TRI	2475	3083	3807	4646	5610	7.1	10.5	2.31	15.9 (5/8")	9.5 (3/8")	III	21.2
	AC R-22	AJ5510E-CZ	1	18.60	PSC,CSR	969	1410	1917	2489	3126	5.4	8.2	2.43	9.5 (3/8")	6.35 (1/4")	I
AJ5512E-CZ		1	21.75	PSC,CSR	1447	1916	2457	3069	3751	6.7	9.7	2.31	9.5 (3/8")	6.35 (1/4")	I	18.7
AJ5513E-CZ		1	20.95	PSC,CSR	1770	2243	2799	3437	4159	7.4	11.6	2.31	12.7 (1/2")	6.35 (1/4")	I	19.3
AJ5515E-CZ		1 1/5	25.95	CSR	2005	2568	3207	3924	4716	8.2	12.3	2.29	12.7 (1/2")	7.9 (5/16")	II	19.4
AJ5518E-CZ		1 3/5	32.70	CSR	2764	3367	4095	4947	5925	10.4	15.5	2.24	12.7 (1/2")	7.9 (5/16")	II	20.8
AJ5519E-CZ		1 3/5	34.45	PSC,CSR	2939	3537	4280	5166	6170	10.6	16.0	2.27	12.7 (1/2")	7.9 (5/16")	II	27.0
AC R-407C	AJ5510C-CZ	1	18.60	PSC,CSR	911	1275	1718	2251	2884	5.0	7.7	2.26	9.5 (3/8")	6.35 (1/4")	II	17.7
	AJ5515C-CZ	1 1/5	25.95	PSC,CSR	1568	2099	2718	3439	4272	7.5	12.9	2.21	12.7 (1/2")	7.9 (5/16")	II	19.2
	TAJ5519C-KZ	1 3/5	34.45	TRI	2098	2923	3865	4926	6106	6.3	11.3	2.45	12.7 (1/2")	7.9 (5/16")	III	21.7

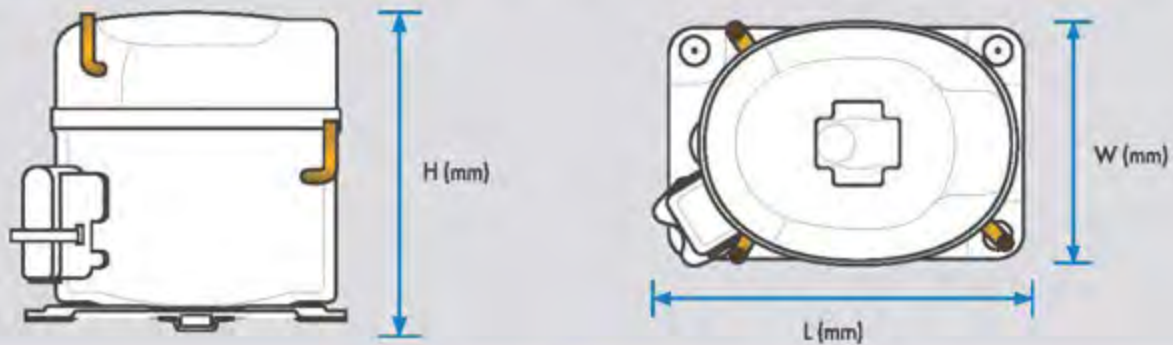
▶ 60 HZ RANGE [ TYA ]

# TYA

TYA Compressors for 60 Hz Range

## Dimension Specification for TYA

Specification drawing is for reference only, for detail information please refer to our staffs.



DIMENSION I		
Height (mm)	Width (mm)	Length (mm)
234.5	141.2	236.0

MODEL	HP	Disp. (cm <sup>3</sup> )	Motor Type	CAPACITY (Watt)					CURRENT (A)		COP (W/W)	DIAMETER OF CONNECTION		DIMENSION	WEIGHT (KG)	
				-34.4 °C	-28.9 °C	-23.3 °C	-17.3 °C	-12.2 °C	I Nom (Amps)	I RA Max (Amps)		SUCTION (mm/Inches)	LIQUID (mm/Inches)			
LBP R-22	TYA2431ZDS	1	18.80	CSR	315	583	922	1336	1731	10.0	55.0	1.11	12.7 (1/2")	9.5 (3/8")	1	16.5
	TYA2431ZES	1	18.80	CSR	315	583	922	1336	1731	3.65	29.0	1.22	12.7 (1/2")	9.5 (3/8")	1	17.5
	TYA2438ZDS	1 1/4	22.33	CSR	370	684	1083	1569	2033	9.85	69.0	1.19	12.7 (1/2")	9.5 (3/8")	1	17.5
	TYA2438ZES	1 1/4	22.33	CSR	381	705	1116	1615	2093	4.73	36.5	1.21	12.7 (1/2")	9.5 (3/8")	1	17.4
	TYA2446ZES	1 2/3	26.00	CSR	477	883	1398	2025	2623	6.07	42.0	1.22	12.7 (1/2")	9.5 (3/8")	1	18.5
					-17.8 °C	-12.2 °C	-6.7 °C	7.2 °C	10 °C							
HBP R-404a	TYA9456ZES	-	-	-	-	-	-	-	-	-	-	-	12.7 (1/2")	9.5 (3/8")	1	-
	TYA9457ZES	1	19.00	CSR	839	1247	1693	3042	3373	8.60	37.5	1.4	12.7 (1/2")	9.5 (3/8")	1	16.8
	TYA9468ZES	1 1/3	22.30	CSR	1001	1489	2020	3361	4027	8.15	41.0	1.45	12.7 (1/2")	9.5 (3/8")	1	17.5
	TYA9472ZES	-	-	-	-	-	-	-	-	-	-	-	12.7 (1/2")	9.5 (3/8")	1	-
	TYA9483ZES	1 1/2	26.00	CSR	1204	1791	2430	4368	4844	9.15	43.0	1.55	12.7 (1/2")	9.5 (3/8")	1	17.8
	TYA9486ZES	-	-	-	-	-	-	-	-	-	-	-	12.7 (1/2")	9.5 (3/8")	1	-

## ▶ 60 HZ RANGE [ TYA ]

MODEL	HP	Disp. (cm <sup>3</sup> )	Motor Type	CAPACITY (Watt)					CURRENT (A)		COP (W/W)	DIAMETER OF CONNECTION		DIMENSION	WEIGHT (KG)	
				- 17.8 °C	- 12.2 °C	- 6.7 °C	7.2 °C	10 °C	I Nom (Amps)	LRA Max (Amps)		SUCTION (mm/Inches)	LIQUID (mm/Inches)			
HBP R-22	TYA9948EES	3/4	16.00	CSIR	566	841	1142	2053	2276	5.95	27.2	1.24	12.7 (1/2")	9.5 (3/8")	1	17.8
	TYA9455EES	1	18.80	CSIR	726	1079	1464	2632	2918	8.25	37.5	1.26	12.7 (1/2")	9.5 (3/8")	1	18.7
	TYA9467EES	1 1/5	22.30	CSIR	871	1294	1757	3158	3502	7.75	41.0	1.45	12.7 (1/2")	9.5 (3/8")	1	18.5
	TYA9474EES	1 1/2	26.00	CSIR	1016	1510	2050	3684	4085	8.80	43.0	1.41	12.7 (1/2")	9.5 (3/8")	1	19.3
					- 15.0 °C	- 9.4 °C	- 3.9 °C	7.2 °C	10 °C							
HBP R-134a	TYA4452YES	-	-	-	-	-	-	-	-	-	-	-	12.7 (1/2")	9.5 (3/8")	1	-
	TYA4466YES	2/3	18.80	CSIR	497	879	1247	2020	2272	5.40	27.00	2.23	12.7 (1/2")	9.5 (3/8")	1	17.5
	TYA4475YES	3/4	22.30	CSIR	576	1019	1445	2343	2634	7.39	37.00	2.09	12.7 (1/2")	9.5 (3/8")	1	18.0
	TYA4489YES	1	26.00	CSIR	677	1197	1698	2753	3095	7.30	35.00	2.14	12.7 (1/2")	9.5 (3/8")	1	18.6
	TYA4466YDS	2/3	18.80	CSIR	497	879	1247	2020	2272	10.00	48.00	2	12.7 (1/2")	9.5 (3/8")	1	18.8
	TYA4475YDS	3/4	22.30	CSIR	576	1019	1445	2343	2634	14.00	64.00	2	12.7 (1/2")	9.5 (3/8")	1	18.0



SAFE FOR  
FOOD INDUSTRIES

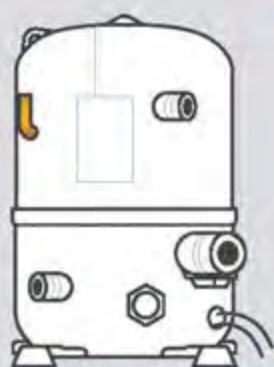
## ▶ 60 HZ RANGE [ FH ]

# FH

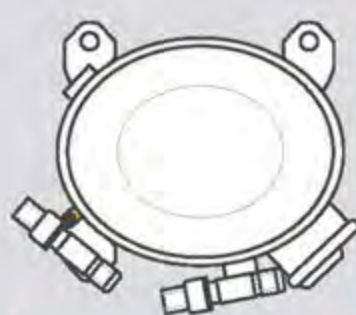
FH Compressors for 60 Hz Range

### Dimension Specification for FH

Specification drawing is for reference only, for detail information please refer to our staffs.



H (mm)



W (mm)

L (mm)

DIMENSION I			DIMENSION II			DIMENSION III		
Height (mm)	Width (mm)	Length (mm)	Height (mm)	Width (mm)	Length (mm)	Height (mm)	Width (mm)	Length (mm)
330.0	200.0	246.0	354.0	200.0	246.0	370.0	200.0	246.0

MODEL	HP	Disp. (cm <sup>3</sup> )	Motor Type	CAPACITY (Watt)					CURRENT (A)		COP (W/W)	DIAMETER OF CONNECTION		DIMENSION	WEIGHT (KG)	
				-40 °C	-35 °C	-30 °C	-25 °C	-20 °C	I Nom (Amps)	I Max (Amps)		SUCTION (mm/Inches)	LIQUID (mm/Inches)			
LBP B-404A	FH2480Z	2	53.20	CSR	826	1294	1835	2453	3155	9.2	21.0	0.85	15.9 (5/8")	12.7 (1/2")	III	37.5
	TFH2480Z	2	53.20	TRI	814	1293	1832	2439	3121	3.0	6.4	0.95	15.9 (5/8")	12.7 (1/2")	I	32.9
	FH2511Z	2 3/4	74.20	CSR	1155	1811	2581	3478	4518	12.0	27.0	0.95	15.9 (5/8")	12.7 (1/2")	III	36.8
	TFH2511Z	2 3/4	74.20	TRI	1188	1868	2627	3471	4406	3.8	7.2	1.04	15.9 (5/8")	12.7 (1/2")	II	32.9
HRP B-404A					-15 °C	-10 °C	-5 °C	0 °C	5 °C							
	TFH4522Z	1 4/5	39.90	TRI	1859	2635	3482	4417	5454	4.1	5.9	2.16	15.9 (5/8")	12.7 (1/2")	II	30.0
	FH4524Z	2	43.50	CSR	2357	3167	4047	5099	6259	14.5	23.0	2.19	15.9 (5/8")	12.7 (1/2")	I	34.7
	TFH4524Z	2	43.50	TRI	2107	2974	3907	4921	6032	4.7	7.9	2.16	15.9 (5/8")	12.7 (1/2")	II	30.4
	FH4531Z	2 3/5	56.60	CSR	2938	4172	5406	6688	8069	18.4	31.4	2.14	22.2 (7/8")	12.7 (1/2")	II	36.5
	TFH4531Z	2 3/5	56.60	TRI	2819	3711	4754	5968	7377	5.7	10.4	2.11	22.2 (7/8")	12.7 (1/2")	II	31.2
	FH4540Z	3 2/7	74.20	CSR	4134	5383	6762	8294	10002	24.9	40.6	1.96	22.2 (7/8")	12.7 (1/2")	II	37.0
TFH4540Z	3 2/7	74.20	TRI	4129	5317	6670	8217	9986	7.7	10.1	2.15	22.2 (7/8")	12.7 (1/2")	III	33.0	

## ▶ 60 HZ RANGE [ FH ]

MODEL	HP	Disp. (cm <sup>3</sup> )	Motor Type	CAPACITY (Watt)					CURRENT (A)		COP (W/W)	DIAMETER OF CONNECTION		DIMENSION	WEIGHT (KG)	
				-15 °C	-10 °C	-5 °C	0°C	5 °C	I Nom (Amps)	I Max (Amps)		SUCTION (mm/Inches)	LIQUID (mm/Inches)			
HBP R-22	FH4522F	1 4/5	39.95	CSR	2158	2916	3818	4862	6048	11.4	17.5	2.45	15.9 (5/8")	12.7 (1/2")	II	32.0
	FH4524F	2	43.50	CSR	2506	3280	4226	5342	6630	13.1	20.7	2.45	15.9 (5/8")	12.7 (1/2")	II	34.0
	TFH4524F	2	43.50	TRI	2506	3280	4226	5342	6630	4.2	5.4	2.37	15.9 (5/8")	12.7 (1/2")	II	30.0
	FH4531F	2 3/5	56.65	CSR	3564	4677	5928	7316	8842	16.7	25.5	2.43	22.2 (7/8")	12.7 (1/2")	III	36.0
	TFH4531F	2 3/5	56.65	TRI	3564	4677	5928	7316	8842	5.1	7.3	2.42	22.2 (7/8")	12.7 (1/2")	II	31.0
	TFH4540F	3 2/7	74.25	TRI	4087	5743	7541	9480	11561	6.6	8.7	2.46	22.2 (7/8")	12.7 (1/2")	III	33.0
HBP R-134a	FH4518Y	1 1/2	53.20	CSR	1401	2194	3106	4145	5304	10.6	16.6	2.44	15.9 (5/8")	12.7 (1/2")	I	32.0
	TFH4518Y	1 1/2	53.20	TRI	1356	1947	2670	3548	4605	3.5	4.6	2.24	15.9 (5/8")	12.7 (1/2")	II	30.0
	FH4525Y	2	74.25	CSR	2254	3118	4197	5490	6998	13.3	20.3	2.41	15.9 (5/8")	12.7 (1/2")	II	34.0
	TFH4525Y	2	74.25	TRI	2198	3013	3998	5182	6594	4.1	7.3	2.40	15.9 (5/8")	12.7 (1/2")	II	31.0
	FH5524E	2	39.90	PTCSCR, CSR, PSC	2770	3619	4645	5849	7232	13.6	20.4	2.31	15.9 (5/8")	9.5 (3/8")	I	31.5
	TFH5524E	2	43.50	TRI	2770	3619	4645	5849	7232	3.9	5.8	2.34	15.9 (5/8")	9.5 (3/8")	II	31.0
AC R-22	FH5527E	2	43.50	PTCSCR, CSR, PSC	3300	4136	5227	6573	8174	16.1	25.0	2.28	15.9 (5/8")	9.5 (3/8")	I	32.0
	FH5531E	2 3/5	56.65	PTCSCR, CSR, PSC	4017	5182	6508	7995	9642	29.0	26.5	2.34	19.0 (3/4")	9.5 (3/8")	II	33.0
	TFH5531E	2 3/5	56.65	TRI	4017	5182	6508	7995	9642	4.8	6.6	2.40	19.0 (3/4")	9.5 (3/8")	II	31.5
	FH5540E	3 2/7	74.25	PTCSCR, CSR, PSC	4572	6368	8303	10380	12596	27.8	36.0	2.39	19.0 (3/4")	9.5 (3/8")	III	33.0
	TFH5540E	3 2/7	74.25	TRI	4572	6368	8303	10380	12596	6.2	10.0	2.43	19.0 (3/4")	9.5 (3/8")	III	31.5
	TFH5524C	2	43.50	TRI	-	2442	3383	4480	5755	4.1	6.8	2.28	15.9 (5/8")	9.5 (3/8")	II	31.1
AC R-407C	TFH5540C	3 2/7	74.25	TRI	-	4358	5819	7504	9442	5.0	10.8	2.30	19.0 (3/4")	9.5 (3/8")	III	31.9



**SUITABLE  
FOR FROZEN FOOD  
& OTHERS INDUSTRIES**

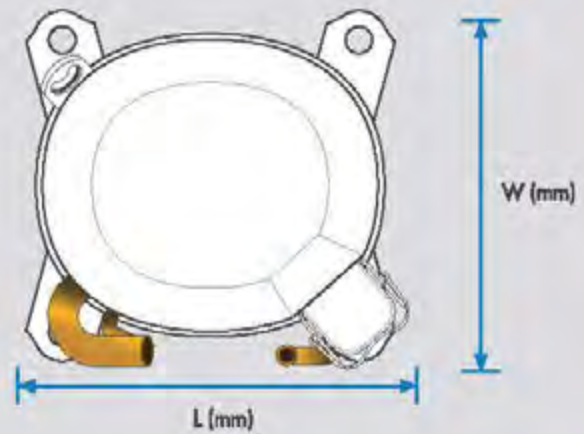
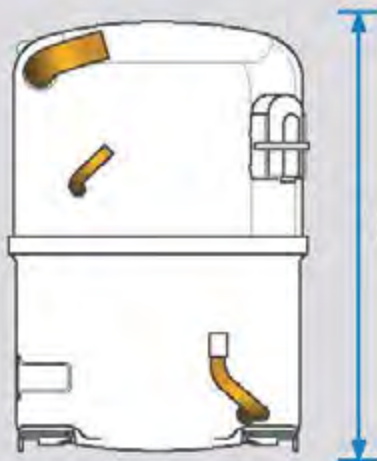
▶ 60 HZ RANGE [ AW ]

# AW

AW Compressors for 60 Hz Range

## Dimension Specification for AW

Specification drawing is for reference only, for detail information please refer to our staffs.



### DIMENSION I

Height (mm)	Width (mm)	Length (mm)
324.0	141.2	236.0

MODEL	HP	Disp. (cm <sup>3</sup> )	Motor Type	CAPACITY (Watt)	CURRENT (A)		COP (W/W)	DIAMETER OF CONNECTION		DIMENSION	WEIGHT (KG)	
				7.2 °C	I Nom (Amps)	I Max (Amps)		SUCTION (mm/Inches)	LIQUID (mm/Inches)			
AC R-22	AWZ5516EXN	1 1/3	30.60	PSC	4689	7.00	12.3	2.97	15.9 (5/8")	11.2 (7/16")	1	26.0
	AWZ5520EXN	1 2/3	39.66	PSC	5079	9.70	15.4	2.86	15.9 (5/8")	11.2 (7/16")	1	27.7
	AWZ5524CNA		45.80	PSC	-	-	-	-	15.9 (5/8")	11.2 (7/16")	1	-
	AWZ5524EXN	2	43.26	TRI	7210	11.00	19.10	2.91	15.9 (5/8")	11.2 (7/16")	1	27.0
	AWZ5524ETZ	2	43.26	PSC	6858	3.65	-	2.73	15.9 (5/8")	11.2 (7/16")	1	27.7
	AWZ5535CNA	3	63.00	PSC	10580	17.00	-	2.94	15.9 (5/8")	11.2 (7/16")	1	30.5
	AWZ5535EXN	3	59.00	PSC	10257	15.4	26.4	2.93	15.9 (5/8")	11.2 (7/16")	1	30.0
	AWZ5538EXN	3 1/6	63.00	PSC	11137	18.3	29.5	2.93	15.9 (5/8")	11.2 (7/16")	1	30.0
	AWZ5538ETZ	3 1/6	63.00	TRI	10844	5.70	-	2.91	15.9 (5/8")	11.2 (7/16")	1	31.0





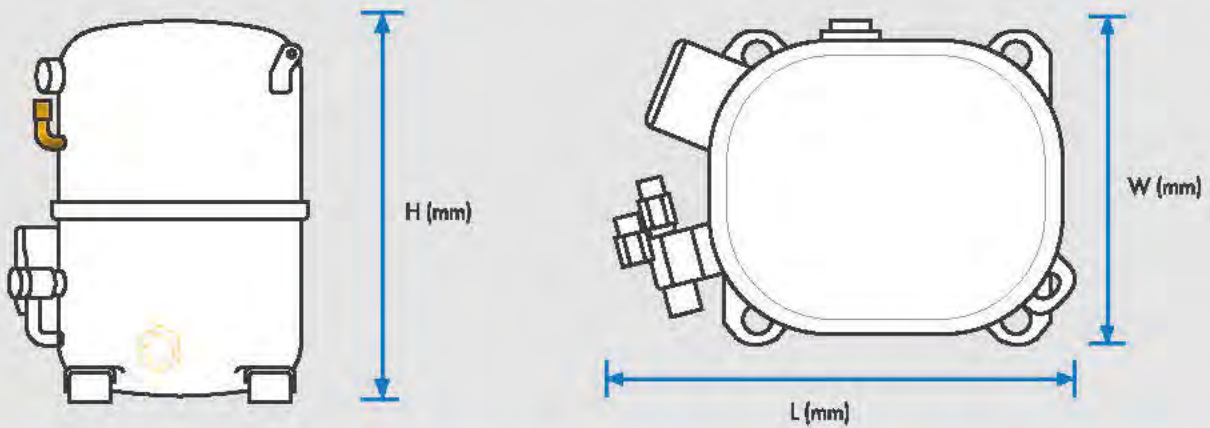
# ▶ 60 HZ RANGE [ AG ]

# AG

AG Compressors for 60 Hz Range

## Dimension Specification for AG

Specification drawing is for reference only, for detail information please refer to our staffs.



DIMENSION I			DIMENSION II			DIMENSION III		
Height (mm)	Width (mm)	Length (mm)	Height (mm)	Width (mm)	Length (mm)	Height (mm)	Width (mm)	Length (mm)
368.0	224.0	261.0	381.0	224.0	261.0	393.0	224.0	261.0

MODEL	HP	Disp. (cm <sup>3</sup> )	Motor Type	CAPACITY (Watt)					CURRENT (A)		COP (W/W)	DIAMETER OF CONNECTION		DIMENSION	WEIGHT (KG)	
				-40 °C	-35 °C	-30 °C	-25 °C	-20 °C	I Nom (Amps)	I Max (Amps)		SUCTION (mm/Inches)	LIQUID (mm/Inches)			
LBP R-404a	TAG2513Z	3 1/4	100.7	TRI	1214	2124	3178	4393	5788	8.3	19.3	1.42	22.2 (7/8")	15.9 (5/8")	I	44.0
	TAG2516Z	4	112.5	TRI	2004	2744	3746	5011	6536	10.0	27.6	1.44	22.2 (7/8")	15.9 (5/8")	II	45.0
	TAG2522Z	5 1/2	134.8	TRI	-	4423	5593	7217	9295	12.9	30.9	1.43	28.6 (1 1/8")	15.9 (5/8")	III	47.0
	TAG2525Z	6 1/4	145.0	TRI	2453	3622	4937	6427	8121	13.7	27.6	1.43	22.2 (7/8")	15.9 (5/8")	III	46.0
					-15 °C	-10 °C	-5 °C	0 °C	5 °C							
HBP R-404a	TAG4546Z	3 4/5	90.2	TRI	5864	7793	9980	12461	15274	16.4	22.6	2.41	22.2 (7/8")	15.9 (5/8")	I	44.0
	TAG4553Z	4 2/5	100.7	TRI	6824	8924	11302	14000	17055	18.1	27.9	2.38	22.2 (7/8")	15.9 (5/8")	II	45.6
	TAG4561Z	5	112.5	TRI	7452	9700	12313	15352	18874	20.5	31.3	2.25	28.6 (1 1/8")	15.9 (5/8")	II	46.0
	TAG4568Z	5 3/5	124.4	TRI	9208	11807	14728	17897	21239	23.2	36.5	2.36	28.6 (1 1/8")	15.9 (5/8")	III	47.2
	TAG4573Z	6	134.8	TRI	9686	12346	15433	19005	23118	26.6	39.2	2.22	28.6 (1 1/8")	15.9 (5/8")	III	48.0
	TAG4581Z	6 3/4	145.0	TRI	10717	13503	16621	20133	24103	31.0	42.0	2.20	28.6 (1 1/8")	15.9 (5/8")	III	48.1

MODEL	HP	Disc. (mm)	Motor Type	CAPACITY (liters)					CURRENT (A)		COP (W/W)	DIAMETER OF CONNECTION		HEIGHT (mm)	WEIGHT (kg)	
				-15 °C	-10 °C	-5 °C	0 °C	5 °C	I Mean (Average)	I Max (Startup)		SUCTION (mm/Inch)	LIQUID (mm/Inch)			
HSP E-22	TAG4546T	3 4/5	90.2	TR	5545	7410	9563	12032	14844	13.0	25.0	2.69	22.2 (7/8")	15.9 (5/8")	I	44.0
	TAG4553T	4 2/5	100.7	TR	6550	8718	11269	14234	17646	16.0	26.0	2.74	22.2 (7/8")	15.9 (5/8")	II	46.0
	TAG4561T	5	112.5	TR	7614	10003	12849	16194	20082	17.0	32.0	2.67	28.6 (1 1/8")	15.9 (5/8")	III	46.0
	TAG4568T	5 3/5	124.4	TR	8530	11176	14414	18244	22667	20.0	30.0	2.66	28.6 (1 1/8")	15.9 (5/8")	III	48.0
	TAG4573T	6	134.8	TR	9519	12216	15433	19224	23646	23.1	37.0	2.47	28.6 (1 1/8")	15.9 (5/8")	III	48.0
HSP E-134a	TAG4528Y	2 3/10	90.2	TR	2294	3534	5083	6943	9112	9.0	25.0	2.74	22.2 (7/8")	15.9 (5/8")	I	44.0
	TAG4534Y	2 4/5	100.7	TR	3324	4724	6463	8541	10958	10.0	25.0	2.76	22.2 (7/8")	15.9 (5/8")	I	44.0
	TAG4537Y	3	112.5	TR	3896	5443	7375	9604	12398	12.0	25.0	2.74	22.2 (7/8")	15.9 (5/8")	I	44.0
	TAG4543Y	3 1/2	124.4	TR	4096	5667	7719	10251	13265	13.0	25.0	2.59	22.2 (7/8")	15.9 (5/8")	I	44.0
AC E-22	TAG5546E	3 4/5	90.2	TR	4797	6415	8498	11045	14058	13.0	25.0	2.69	22.2 (7/8")	12.7 (1/2")	I	42.5
	TAG5553E	4 2/5	100.7	TR	6138	7804	10036	12834	16196	16.3	26.0	2.72	22.2 (7/8")	12.7 (1/2")	II	43.5
	TAG5561E	5	112.5	TR	6831	9001	11705	14943	18715	17.0	32.0	2.70	22.2 (7/8")	12.7 (1/2")	II	44.5
	TAG5568E	5 3/5	124.4	TR	7978	10231	13144	16717	20949	22.0	30.0	2.66	22.2 (7/8")	12.7 (1/2")	III	46.0
	TAG5573E	6	134.8	TR	8798	11024	14025	17803	22356	24.2	37.0	2.46	22.2 (7/8")	12.7 (1/2")	III	46.0
AC E-134C	TAG5553C	4 2/5	100.7	TR	4722	6726	9096	11882	15131	14.8	25.2	2.44	22.2 (7/8")	12.7 (1/2")	II	46.0



**SUITABLE  
FOR FROZEN FOOD  
& OTHERS INDUSTRIES**

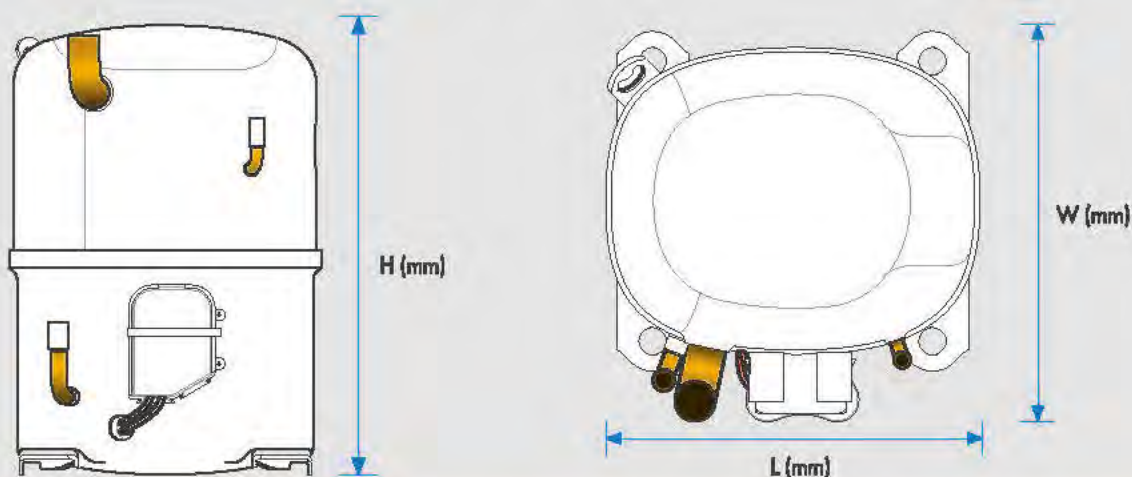
## ▶ 60 HZ RANGE [ AV ]

# AV

AV Compressors for 60 Hz Range

### Dimension Specification for AV

Specification drawing is for reference only, for detail information please refer to our staffs.



DIMENSION I			DIMENSION II			DIMENSION III		
Height (mm)	Width (mm)	Length (mm)	Height (mm)	Width (mm)	Length (mm)	Height (mm)	Width (mm)	Length (mm)
355.6	257.6	250.2	363.2	257.6	250.2	373.4	257.6	250.2

MODEL	HP	Disp. (cm <sup>3</sup> )	Motor Type	CAPACITY (Watt)					CURRENT (A)		COP (W/W)	DIAMETER OF CONNECTION		DIMENSION	WEIGHT (KG)	
				-40 °C	-35 °C	-30 °C	-25 °C	-20 °C	I Nom (Amps)	I Max (Amps)		SUCTION (mm/Inches)	LIQUID (mm/Inches)			
LBP R-404A	AVA2490ZXN	2	73.3	CSR	670	1230	1870	2650	3590	11.4	15.9	1.1	22.2 (7/8")	12.7 (1/2")	I	43.2
	AVA2490ZXT	2	73.3	3PH	640	1180	1790	2530	3440	7.4	10.3	1.1	22.2 (7/8")	12.7 (1/2")	I	35.9
	AVA2512ZXN	3	91.0	CSR	880	1620	2460	3480	4730	16.9	23.6	1.1	22.2 (7/8")	12.7 (1/2")	I	42.7
	AVA2512ZXT	3	91.0	3PH	670	1440	2340	3390	4580	9.3	13.1	1.1	22.2 (7/8")	12.7 (1/2")	I	38.2
				-15 °C	-10 °C	-5 °C	0 °C	5 °C								
HBP R-404A	AVA9519ZXN	3	67.0	CSR	3840	4940	6110	7530	9540	18.8	21.7	2.6	22.2 (7/8")	12.7 (1/2")	III	38.2
	AVA9519ZXT	3	67.0	3PH	3840	4940	6110	7530	9540	11.2	12.9	2.7	22.2 (7/8")	12.7 (1/2")	I	37.3
	AVA9522ZXN	3 1/2	73.3	CSR	4130	5520	6870	8540	10880	21.0	24.2	2.6	22.2 (7/8")	12.7 (1/2")	I	38.2
	AVA9522ZXT	3 1/2	79.0	3PH	4200	5410	6670	8290	10720	12.5	14.3	2.7	22.2 (7/8")	12.7 (1/2")	I	38.2
	AVA9528ZXN	4	79.0	CSR	5590	7170	8900	10880	12980	28.2	33.6	2.3	19.0 (3/4")	12.7 (1/2")	I	38.2
	AVA9528ZXT	4	91.0	3PH	5590	7170	8900	10880	12980	16.8	20.0	2.4	22.2 (7/8")	12.7 (1/2")	I	38.2

MODEL	HP	Disp. (cm <sup>3</sup> )	Motor Type	CAPACITY (Watt)					CURRENT (A)		COP (W/W)	DIAMETER OF CONNECTION		DIMENSION	WEIGHT (KG)
				- 15 °C	- 10 °C	- 5 °C	0 °C	5 °C	I Nom (Amps)	I Max (Amps)		SUCTION (mm/Inches)	LIQUID (mm/Inches)		
AVA5532EXN	2 1/2	57.6	PSC	2750	3900	5230	6750	8420	15.6	17.6	2.9	19.0 (3/4")	9.5 (3/8")	II	36.8
AVA5532EXT	2 1/2	57.6	3PH	2750	3900	5230	6750	8420	8.9	10.0	3.1	19.0 (3/4")	9.5 (3/8")	I	35.9
AVA5535EXN	2 3/4	62.4	PSC	2980	4250	5700	7370	9240	15.8	17.4	2.9	19.0 (3/4")	9.5 (3/8")	II	40.0
AVA5535EXT	2 3/4	62.4	3PH	3070	4290	5730	7380	9240	9.7	10.9	3.0	19.0 (3/4")	9.5 (3/8")	I	40.5
AVA5538EXT	3	67.0	3PH	3610	4870	6410	8190	10140	9.6	10.8	3.3	22.2 (7/8")	12.7 (1/2")	I	36.8
AVA5542EXG	3 1/2	73.3	PSC	3530	4970	6750	8830	11140	19.7	22.4	2.90	22.2 (7/8")	12.7 (1/2")	I	37.7
AVA5542EXT	3 1/2	73.3	3PH	3980	5450	7100	8970	11070	12.3	13.6	2.90	22.2 (7/8")	12.7 (1/2")	I	37.7
AVA5546EXN	3 3/4	79.0	PSC	3860	5430	7380	9660	12180	21.5	24.4	2.90	22.2 (7/8")	12.7 (1/2")	I	38.6
AVA5546EXT	3 3/4	79.0	3PH	3860	5430	7380	9660	12180	13.3	15.1	2.90	22.2 (7/8")	12.7 (1/2")	I	38.6
AVB5549EXN	4	79.0	PSC	4540	6290	8320	10600	13140	20.5	23.3	3.10	22.2 (7/8")	12.7 (1/2")	I	36.8
AVB5549EXT	4	79.0	3PH	5090	6690	8520	10600	12940	13.5	15.0	3.10	22.2 (7/8")	12.7 (1/2")	I	36.8
AVB5558EXN	5	91.0	PSC	5970	8140	10430	12900	15570	24.8	28.2	3.10	22.2 (7/8")	12.7 (1/2")	I	38.6
AVB5558EXT	5	91.0	3PH	6200	8080	10250	12700	15410	15.7	17.7	3.10	22.2 (7/8")	12.7 (1/2")	I	38.6

AC R-22



**SUITABLE  
FOR FOOD  
& OTHERS INDUSTRIES**

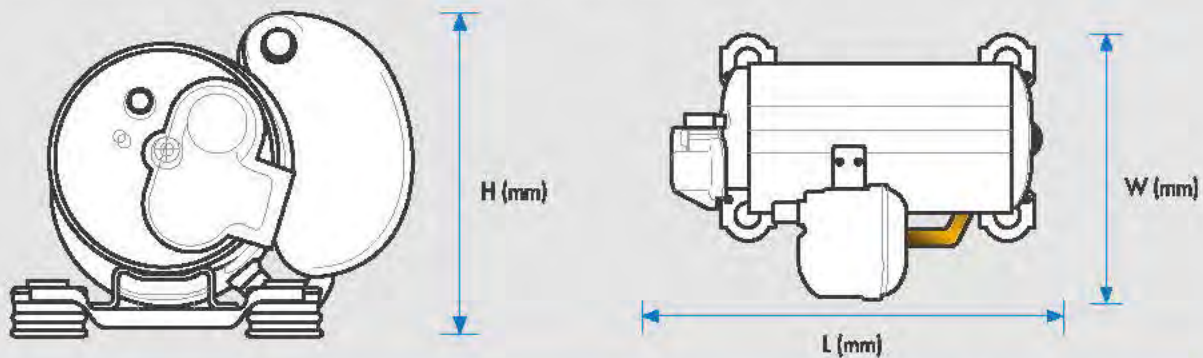
# ▶ 60 HZ RANGE [ HG ]

# HG

HG Compressors for 60 Hz Range

## Dimension Specification for HG

Specification drawing is for reference only, for detail information please refer to our staffs.



DIMENSION I			DIMENSION II			DIMENSION III			DIMENSION IV		
Height (mm)	Width (mm)	Length (mm)	Height (mm)	Width (mm)	Length (mm)	Height (mm)	Width (mm)	Length (mm)	Height (mm)	Width (mm)	Length (mm)
163.4	207.6	267.0	163.4	207.6	270.7	163.4	207.6	280.6	163.4	207.6	287.1

MODEL	HP	Disp. (cm <sup>3</sup> )	Motor Type	CAPACITY (Watt)					CURRENT (A)		COP (W/W)	DIAMETER OF CONNECTION		DIMENSION	WEIGHT (KG)	
				- 40 °C	- 35 °C	- 30 °C	- 25 °C	- 20 °C	I Nom (Ampere)	I Max (Ampere)		SUCTION (mm/Inches)	LIQUID (mm/Inches)			
LBP R-404A	HGA2426ZC	7/10	9.5	CSR	329	427	541	674	827	2.3	3.7	1.12	9.5 (3/8")	7.9 (5/16")	II	11.4
	HGA2426ZA	7/10	9.5	CSR	315	410	526	662	823	4.9	7.6	1.08	9.5 (3/8")	7.9 (5/16")	II	11.4
	HGA2432ZC	3/4	11.5	CSR	403	516	652	814	1005	2.8	5.0	1.13	9.5 (3/8")	7.9 (5/16")	III	12.0
	HGA2432ZA	3/4	11.5	CSR	399	510	645	806	996	5.9	9.3	1.09	9.5 (3/8")	7.9 (5/16")	III	12.0
	HGA2436ZC	9/10	12.8	CSR	451	581	737	923	1142	3.0	5.6	1.19	12.7 (1/2")	7.9 (5/16")	III	11.4
	HGA2436ZA	9/10	12.8	CSR	447	576	732	917	1135	6.4	11.0	1.11	12.7 (1/2")	7.9 (5/16")	III	11.4
					- 15 °C	- 10 °C	- 5 °C	0 °C	5 °C							
HBP R-404A	HGA4467ZC	1/2	9.5	CSR	838	1026	1240	1484	1764	3.1	4.4	2.72	9.5 (3/8")	7.9 (5/16")	III	12.5
	HGA4467ZA	1/2	9.5	CSR	869	1057	1268	1509	1784	6.5	9.5	2.64	9.5 (3/8")	7.9 (5/16")	I	12.5
	HGA4480ZC	3/4	11.5	CSR	1001	1217	1459	1732	2041	3.8	5.1	2.50	9.5 (3/8")	7.9 (5/16")	I	12.6
	HGA4480ZA	3/4	11.5	CSR	1013	1232	1481	1766	2093	8.0	11.6	2.57	9.5 (3/8")	7.9 (5/16")	III	12.6
	HGA4492ZC	7/8	12.8	CSR	1176	1421	1698	2015	2378	4.3	6.0	2.65	12.7 (1/2")	7.9 (5/16")	III	12.7
	HGA4492ZA	7/8	12.8	CSR	1190	1440	1752	2050	2421	9.0	14.0	2.65	12.7 (1/2")	7.9 (5/16")	III	12.7
	HGA4512ZC	1	16.1	CSR	1511	1829	2179	2567	2996	5.9	8.0	2.48	12.7 (1/2")	7.9 (5/16")	IV	13.2
	HGA4512ZA	1	16.1	CSR	1488	1805	2152	2535	2960	11.4	16.7	2.49	12.7 (1/2")	7.9 (5/16")	IV	13.3

MODEL	HP	Disp. (cm <sup>3</sup> )	Motor Type	CAPACITY (Watt)					CURRENT (A)		COP (W/W)	DIAMETER OF CONNECTION		DIMENSION	WEIGHT (KG)	
				- 15 °C	- 10 °C	- 5 °C	0 °C	5 °C	I Nom (Amps)	I Max (Amps)		SUCTION (mm/Inches)	LIQUID (mm/Inches)			
HBP R-134a	HGA4445YC	3/8	9.5	CSIR	487	611	759	935	1145	2.8	3.9	2.62	9.5 (3/8")	7.9 (5/16")	II	11.0
	HGA4445YA	3/8	9.5	CSIR	483	608	756	930	1133	5.9	7.6	2.58	9.5 (3/8")	7.9 (5/16")	II	12.1
	HGA4450YC	3/7	11.5	CSIR	593	748	928	1139	1384	3.3	4.4	2.63	9.5 (3/8")	7.9 (5/16")	III	11.1
	HGA4450YA	3/7	11.5	CSIR	606	762	945	1161	1414	7.1	9.3	2.70	9.5 (3/8")	7.9 (5/16")	III	11.1
	HGA4460YC	1/2	12.8	CSIR	684	861	1070	1315	1602	3.6	4.5	2.78	12.7 (1/2")	7.9 (5/16")	III	11.9
	HGA4460YA	1/2	12.8	CSIR	684	862	1072	1321	1613	7.6	9.0	2.84	12.7 (1/2")	7.9 (5/16")	III	12.0
	HGA4476YC	2/3	16.1	CSIR	883	1113	1374	1675	2019	4.5	6.4	2.61	12.7 (1/2")	7.9 (5/16")	IV	12.5
	HGA4476YA	2/3	16.1	CSIR	885	1107	1368	1675	2034	9.7	14.7	2.64	12.7 (1/2")	7.9 (5/16")	IV	12.3
AC R-22	HGA5480EA	2/3	11.5	CSR,PSC	-	1215	1497	1815	2173	7.0	12.7	3.03	9.5 (3/8")	7.9 (5/16")	IV	11.6
	HGA5492EA	3/4	12.8	CSR,PSC	-	1313	1626	1989	2408	7.6	13.7	3.16	12.7 (1/2")	7.9 (5/16")	IV	11.3
	HGA5510EA	5/6	14.3	CSR,PSC	-	1453	1816	2228	2697	9.2	13.9	3.01	12.7 (1/2")	7.9 (5/16")	IV	11.6
	HGA5512EA	1	16.1	CSR,PSC	-	1643	2045	2500	3014	10.4	16.0	2.95	12.7 (1/2")	7.9 (5/16")	IV	11.7



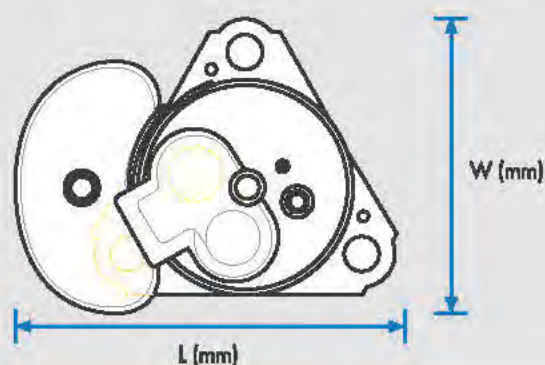
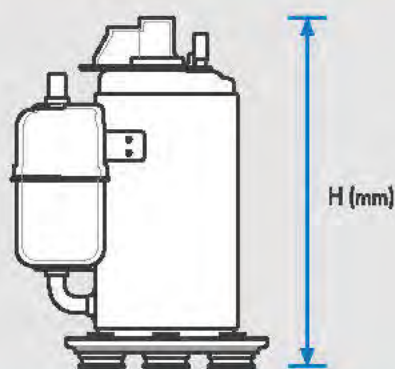
**SUITABLE  
FOR  
FOOD INDUSTRY**

# ▶ 60 HZ RANGE [ RG ]

# RG

RG Compressors for 60 Hz Range

## Dimension Specification for RG



DIMENSION I			DIMENSION II		
Height (mm)	Width (mm)	Length (mm)	Height (mm)	Width (mm)	Length (mm)
276.0	197.0	197.0	280.0	197.0	197.0

MODEL	HP	Disp. (cm <sup>3</sup> )	Motor Type	CAPACITY (Watt)					CURRENT (A)		COP (W/W)	DIAMETER OF CONNECTION		DIMENSION	WEIGHT (KG)	
				- 15 °C	- 10 °C	- 5 °C	0 °C	5 °C	I Nom (Amps)	I Max (Amps)		SUCTION (mm/Inches)	LIQUID (mm/Inches)			
HBP R-134a	RGA4450YC	3/7	11.5	CSIR	593	748	928	1139	1384	3.3	4.4	2.63	9.5 (3/8")	7.9 (5/16")	I	11.1
	RGA4450YA	3/7	11.5	CSIR	606	762	945	1161	1414	7.1	9.3	2.70	9.5 (3/8")	7.9 (5/16")	I	11.1
AC R-22	RGA5480EA	2/3	11.5	PSC,CSR	-	1215	1497	1815	2173	7.0	12.7	3.03	9.5 (3/8")	7.9 (5/16")	II	11.4
	RGA5492EA	3/4	12.8	PSC,CSR	-	1313	1626	1989	2408	7.6	13.7	3.16	12.7 (1/2")	7.9 (5/16")	II	11.2
	RGA5510EA	5/6	14.3	PSC,CSR	-	1453	1816	2228	2697	9.2	13.9	3.01	12.7 (1/2")	7.9 (5/16")	II	11.4
AC R-407C	RGA5512EA	1	16.1	PSC,CSR	-	1643	2045	2500	3014	10.4	16.0	2.95	12.7 (1/2")	7.9 (5/16")	II	11.6
	RGA5480CA	2/3	11.5	PSC,CSR	-	1075	1344	1658	2023	6.9	11.3	2.92	9.5 (3/8")	7.9 (5/16")	II	11.4
	RGA5492CA	3/4	12.8	PSC,CSR	-	1218	1525	1888	2315	7.6	13.3	3.00	12.7 (1/2")	7.9 (5/16")	II	11.3
	RGA5510CA	5/6	13.3	PSC,CSR	-	1354	1689	2080	2535	9.2	15.0	2.78	12.7 (1/2")	7.9 (5/16")	II	11.6
RGA5512CA	1	16.1	PSC,CSR	-	1532	1916	2384	2930	10.2	16.2	2.86	12.7 (1/2")	7.9 (5/16")	II	11.6	



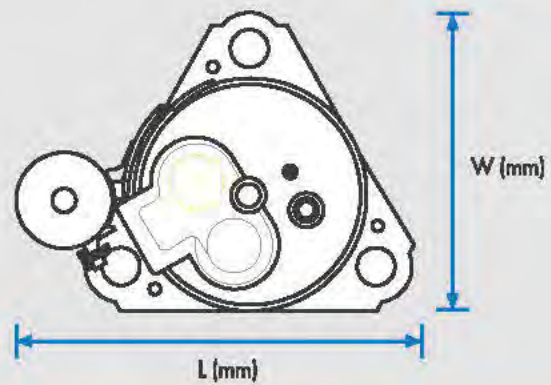
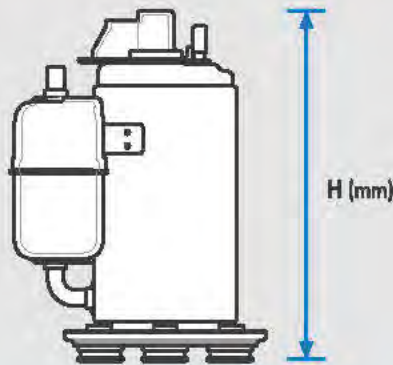
▶ 60 HZ RANGE [ RK ]

# RK

RK Compressors for 60 Hz Range

## Dimension Specification for RK

Specification drawing is for reference only, for detail information please refer to our staffs.



DIMENSION I			DIMENSION II		
Height (mm)	Width (mm)	Length (mm)	Height (mm)	Width (mm)	Length (mm)
290.0	197.0	197.0	312.0	197.0	197.0

MODEL	HP	Disp. (cm <sup>3</sup> )	Motor Type	CAPACITY (Watt)					CURRENT (A)		COP (W/W)	DIAMETER OF CONNECTION		DIMENSION	WEIGHT (KG)	
				-15 °C	-10 °C	-5 °C	0 °C	5 °C	I Nom (Amps)	I Max (Amps)		SUCTION (mm/Inches)	LIQUID (mm/Inches)			
AC R-22	RK5513E	1 1/8	18.1	PTCSCR, CSR, PSC	1846	2221	2671	3194	3792	5.5	9.6	3.07	12.7 (1/2")	7.9 (5/16")	II	13.2
	TRK5513E	1 1/8	18.1	TRI	1852	2224	2671	3194	3792	3.7	5.8	3.10	12.7 (1/2")	7.9 (5/16")	II	12.7
	RK5515E	1 1/4	21.4	PTCSCR, CSR, PSC	2104	2549	3082	3704	4413	6.3	10.9	3.18	15.9 (5/8")	7.9 (5/16")	II	13.8
	TRK5515E	1 1/4	21.4	TRI	2109	2552	3083	3703	4412	4.3	7.6	3.12	15.9 (5/8")	7.9 (5/16")	II	13.5
	RK5518E	1 1/2	24.4	PTCSCR, PSC	2404	2967	3612	4342	5154	7.4	12.7	3.11	15.9 (5/8")	7.9 (5/16")	II	14.0
	TRK5518E	1 1/2	24.4	TRI	2407	2968	3612	4341	5155	4.7	7.8	3.05	15.9 (5/8")	7.9 (5/16")	II	13.6
AC R-134g	RK5480Y	2/3	18.1	CSR, PSC	1241	1483	1797	2182	2638	3.6	7.1	3.14	12.7 (1/2")	7.9 (5/16")	I	11.9
	RK5512Y	1	24.4	PTCSCR, CSR, PSC	1506	1873	2310	2816	3392	5.0	8.1	3.03	15.9 (5/8")	7.9 (5/16")	II	13.5
AC R-407C	TRK5518C	1 1/2	24.4	TRI	2091	2643	3293	4054	4939	4.7	7.8	2.81	15.9 (5/8")	7.9 (5/16")	II	13.6



# MANUFACTURING WORKFLOW

# HOW WE DO IT

## TAKING ORDERS

As soon as we receive order from our clients.



## PROCESSING

We proceed with the order at our Malaysia's branch at Port Klang.



## PRODUCTION

We manufacture and assemble regarding to our client's need.



## LEAK TESTING

After assembling the required components, Our product will go through leak testing to ensure safety.



## DELIVERY

We then deliver to our clients locally or overseas.



## TEST & PACK

Our product is then tested by our professional technicians before packing it up.



## AIR DRYING

Products will be dry in our drying room before installing electrical components.



## OUR COVERAGE

China, East Asia, South East Asia and Oceania.



**PREPARING PARTS**



**ASSEMBLE**



**BRAZING**



**LEAK TEST**



**WIRING**



**ELECTRICAL TEST**



**PACKING**



**LABELING**



**PACK FOR EXPORT**



**CONDENSING  
UNIT**

**50HZ**

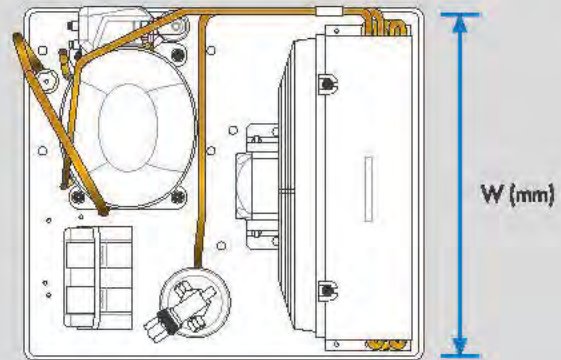
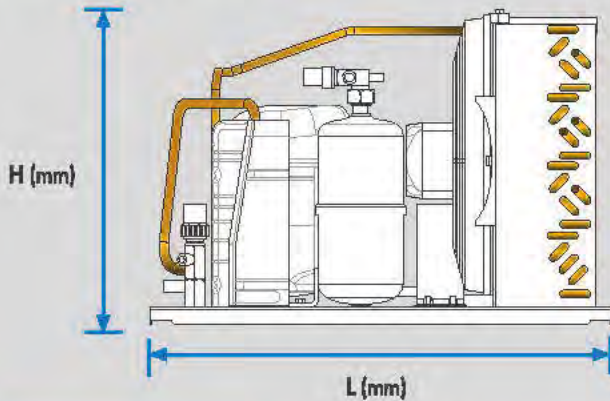
# ▶ 50 HZ RANGE [ AE<sup>2</sup> ]



AE<sup>2</sup> Condensing Unit for 50 Hz Range

## Dimension Specification for AE<sup>2</sup>

Specification drawing is for reference only, for detail information please refer to our staffs.



DIMENSION I			DIMENSION II			DIMENSION III		
Height (mm)	Width (mm)	Length (mm)	Height (mm)	Width (mm)	Length (mm)	Height (mm)	Width (mm)	Length (mm)
237.0	300.0	350.0	298.0	330.0	485.0	338.0	425.0	480.0

MODEL	HP	Disp. (cm <sup>3</sup> )	Motor Type	CAPACITY (Watt)					CURRENT (A)		COP (W/W)	DIAMETER OF CONNECTION		DIMENSION	WEIGHT (KG)	
				-40 °C	-35 °C	-30 °C	-25 °C	-20 °C	I Nom (Amps)	I Max (Amps)		SUCTION (mm/Inches)	LIQUID (mm/Inches)			
LBP R-404A	AE2410ZBR-FZ	1/4	5.02	CSIR	92	132	178	229	285	1.6	2.7	0.75	9.50 (3/8")	6.35 (1/4")	I	18.8
	AE2415ZBR-FZ	3/8	7.33	CSIR	150	200	255	316	382	2.1	3.2	0.82	9.50 (3/8")	6.35 (1/4")	I	19.4
	AE2420ZBR-FZ	1/2	9.35	CSIR	192	259	335	420	513	2.5	4.6	0.89	9.50 (3/8")	6.35 (1/4")	I	20.7
	AE2425ZBR-FZ	5/8	12.01	CSIR	256	344	443	553	671	2.9	4.8	0.84	9.50 (3/8")	6.35 (1/4")	II	25.5
LBP R-290	AE2410UB-FZ	1/4	5.48	CSIR	84	123	168	221	280	1.7	3.5	0.72	9.50 (3/8")	6.35 (1/4")	I	17.0
	AE2415UB-FZ	3/8	8.85	CSIR	132	191	257	329	407	2.1	3.1	0.85	9.50 (3/8")	6.35 (1/4")	I	17.0
	AE2420UB-FZ	1/2	10.96	CSIR	216	283	360	446	541	2.5	3.9	0.97	9.50 (3/8")	6.35 (1/4")	I	17.1
					-15 °C	-10 °C	-5 °C	0 °C	5 °C							
HBP R-404A	AE4425ZHR-FZ	1/5	4.24	CSIR	278	336	398	464	534	2.0	3.0	1.71	9.50 (3/8")	6.35 (1/4")	I	19.1
	AE4430ZHR-FZ	1/4	5.16	CSIR	359	437	521	610	703	2.3	3.1	1.96	9.50 (3/8")	6.35 (1/4")	I	19.3
	AE4440ZHR-FZ	1/3	6.69	CSIR	491	596	709	831	959	3.3	4.3	1.87	9.50 (3/8")	6.35 (1/4")	II	23.9
	AE4450ZHR-FZ	3/8	8.85	CSIR	624	746	874	1005	1139	4.0	5.7	1.66	9.50 (3/8")	6.35 (1/4")	II	24.9
	AE4460ZHR-FZ	1/2	10.33	CSIR	698	808	922	1038	1156	4.9	6.5	1.38	9.50 (3/8")	6.35 (1/4")	II	24.8
	AE4470ZHR-FZ	5/8	12.10	CSR	941	1118	1308	1510	1724	4.3	5.9	2.02	9.50 (3/8")	6.35 (1/4")	III	27.6

MODEL	HP	Disp. (cm <sup>3</sup> )	Motor Type	CAPACITY (Watt)					CURRENT (A)		COP (W/W)	DIAMETER OF CONNECTION		DIMENSION	WEIGHT (KG)	
				- 15 °C	- 10 °C	- 5 °C	0 °C	5 °C	I Nom (Amps)	I Max (Amps)		SUCTION (mm/Inches)	LIQUID (mm/Inches)			
HBP R-134A	AE4425YHRFZ	1/5	6.69	CSIR	231	300	375	453	534	1.8	2.6	1.79	9.50 (3/8")	6.35 (1/4")	I	17.7
	AE4430YHRFZ	1/4	8.02	CSIR	324	410	506	612	727	2.4	2.8	2.14	9.50 (3/8")	6.35 (1/4")	I	15.2
	AE4440YHRFZ	1/3	10.33	CSIR	422	519	626	742	866	2.8	3.4	1.88	9.50 (3/8")	6.35 (1/4")	I	17.3
	AE4450YHRFZ	3/8	13.24	CSIR	562	692	835	990	1155	3.7	5.2	1.85	9.50 (3/8")	6.35 (1/4")	II	25.0
	AE4456YHRFZ	1/2	14.51	CSIR	622	767	926	1099	1284	4.2	8.6	1.85	9.50 (3/8")	6.35 (1/4")	II	25.8
	AE4460YHRFZ	1/2	15.09	CSIR	642	794	960	1140	1332	3.6	5.3	1.98	9.50 (3/8")	6.35 (1/4")	II	25.4
HBP R-290	AE4425UIHFZ	1/5	5.02	CSIR	295	359	429	504	584	1.8	2.4	2.06	9.50 (3/8")	6.35 (1/4")	I	17.0
	AE4430UIHFZ	1/4	6.12	CSIR	363	447	540	642	749	2.1	2.8	2.43	9.50 (3/8")	6.35 (1/4")	I	17.2
	AE4440UIHFZ	1/3	8.02	CSIR	483	580	684	794	911	3.0	3.9	1.92	9.50 (3/8")	6.35 (1/4")	II	18.9
	AE4450UIHFZ	3/8	10.33	CSIR	628	744	868	1000	1141	3.6	5.0	1.81	9.50 (3/8")	6.35 (1/4")	II	19.2
	AE4460UIHFZ	1/2	12.01	CSIR	653	789	933	1084	1245	4.2	5.7	1.70	9.50 (3/8")	6.35 (1/4")	II	19.2



**SUITABLE  
FOR FROZEN FOOD  
& OTHERS INDUSTRIES**

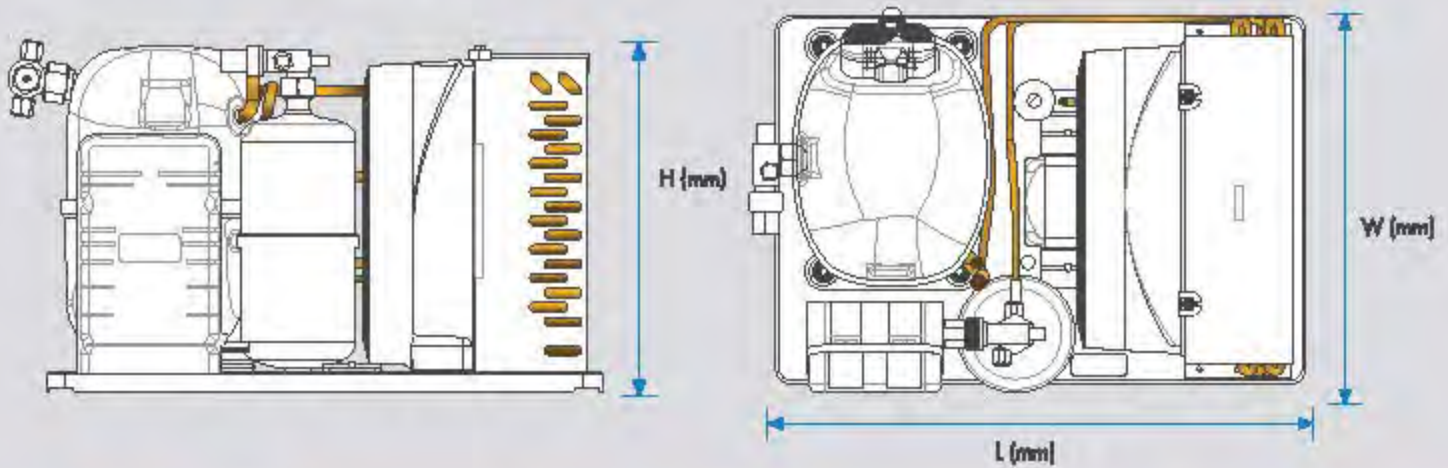
# ▶ 50 HZ RANGE [ AJ<sup>2</sup> ]



AJ<sup>2</sup> Condensing Unit for 50 Hz Range

## Dimension Specification for AJ<sup>2</sup>

Specification drawing is for reference only, for detail information please refer to our staffs.



DIMENSION I			DIMENSION II			DIMENSION III		
Height (mm)	Width (mm)	Length (mm)	Height (mm)	Width (mm)	Length (mm)	Height (mm)	Width (mm)	Length (mm)
300.0	343.0	510.0	340.0	430.0	490.0	445.0	512.0	607.0

MODEL	HP	Disp. (cc/r)	Motor Type	CAPACITY (Watt)					CURRENT (A)		COP (W/W)	DIAMETER OF CONNECTION		PIPE SIZE	WEIGHT (kg)
				-40 °C	-35 °C	-30 °C	-25 °C	-20 °C	I Nom (Amps)	I Max (Amps)		SUCTION (mm/Inches)	LIQUID (mm/Inches)		
CAJ2428ZBR-FZ	7/10	15.2	CSR	235	330	440	564	699	3.9	5.7	0.72	12.70 (1/2")	6.35 (1/4")	I	32.0
TAJ2428ZBR-FZ	7/10	15.2	TR	244	339	448	570	703	1.5	2.5	0.78	12.70 (1/2")	6.35 (1/4")	I	31.0
CAJ2432ZBR-FZ	3/4	18.3	CSR	274	388	516	656	801	3.0	6.5	0.77	12.70 (1/2")	6.35 (1/4")	I	32.0
CAJ2440ZBR-FZ	1	21.0	CSR	347	475	621	782	953	3.6	6.9	0.80	12.70 (1/2")	9.50 (3/8")	I	32.0
CAJ2446ZBR-FZ	1	26.2	CSR	509	694	901	1127	1368	4.6	8.8	1.00	12.70 (1/2")	9.50 (3/8")	II	35.0
TAJ2446ZBR-FZ	1	26.2	TR	487	662	860	1079	1317	1.9	3.3	1.00	12.70 (1/2")	9.50 (3/8")	II	38.0
CAJ2464ZBR-FZ	1 1/2	34.5	CSR	659	876	1120	1386	1667	6.3	10.6	0.94	15.90 (5/8")	9.50 (3/8")	II	37.0
TAJ2464ZBR-FZ	1 1/2	34.5	TR	650	867	1111	1378	1663	2.6	3.7	1.06	15.90 (5/8")	9.50 (3/8")	II	41.0



MODEL	HP	Disp. (cm <sup>3</sup> )	Motor Type	CAPACITY (Watt)					CURRENT (A)		COP (W/W)	DIAMETER OF CONNECTION		DIMENSION	WEIGHT (KG)	
				-15 °C	-10 °C	-5 °C	0 °C	5 °C	I Norm (Amps)	I Maxx (Amps)		SUCTION (mm/inches)	LIQUID (mm/inches)			
HBP R-404A	CAJ9480ZMHRFZ	2/3	15.20	CSR	1038	1250	1477	1717	1966	4.9	7.3	2.02	12.70 (1/2")	9.50 (3/8")	II	33.0
	TAJ9480ZMHR TZ	2/3	15.20	TRI	1048	1261	1489	1729	1977	2.2	3.4	2.01	12.70 (1/2")	9.50 (3/8")	II	34.0
	CAJ9510ZMHRFZ	1	18.30	CSR	1267	1516	1782	2061	2352	6.0	9.0	1.94	15.90 (5/8")	9.50 (3/8")	II	37.0
	TAJ9510ZMHR TZ	1	18.30	TRI	1285	1531	1791	2062	2338	2.5	3.3	1.88	15.90 (5/8")	9.50 (3/8")	II	36.0
	CAJ9513ZMHRFZ	1 1/8	24.20	CSR	1510	1815	2125	2432	2725	7.3	11.9	1.88	15.90 (5/8")	9.50 (3/8")	II	40.0
	TAJ9513ZMHR TZ	1 1/8	24.20	TRI	1455	1747	2048	2349	2645	3.2	4.3	1.81	15.90 (5/8")	9.50 (3/8")	II	38.0
	CAJ4517ZHRFZ	1 1/2	25.95	CSR	1814	2166	2542	2938	3352	7.9	13.3	2.07	15.90 (5/8")	9.50 (3/8")	III	48.0
	TAJ4517ZHR TZ	1 1/2	25.95	TRI	1795	2166	2557	2964	3384	3.4	4.4	1.98	15.90 (5/8")	9.50 (3/8")	III	43.0
	CAJ4519ZHRFZ	1 3/5	34.50	CSR	2303	2770	3255	3750	4247	10.6	15.9	1.92	15.90 (5/8")	9.50 (3/8")	III	48.0
	TAJ4519ZHR TZ	1 3/5	34.50	TRI	2314	2752	3205	3667	4131	4.4	5.2	1.90	15.90 (5/8")	9.50 (3/8")	III	45.0
HBP R-22	CAJ9480TMHRFZ	2/3	15.20	CSR	911	1113	1337	1584	1852	4.5	4.8	2.07	12.70 (1/2")	9.50 (3/8")	II	33.0
	TAJ9480TMHR TZ	2/3	15.20	TRI	1048	1261	1489	1729	1977	2.3	3.4	2.12	12.70 (1/2")	9.50 (3/8")	II	34.0
	CAJ9510TMHRFZ	1	18.30	CSR	1125	1367	1637	1932	2252	5.4	5.6	2.06	15.90 (5/8")	9.50 (3/8")	II	35.0
	TAJ9510TMHR TZ	1	18.30	TRI	1285	1531	1791	2062	2338	2.5	3.3	2.07	15.90 (5/8")	9.50 (3/8")	II	36.0
	CAJ9513TMHRFZ	1 1/8	24.20	CSR	1463	1783	2129	2495	2873	6.6	6.8	2.16	15.90 (5/8")	9.50 (3/8")	II	38.0
	TAJ9513TMHR TZ	1 1/8	24.20	TRI	1455	1747	2048	2349	2645	2.7	4.1	2.14	15.90 (5/8")	9.50 (3/8")	II	38.0
	CAJ4517THR-FZ	1 1/2	25.95	CSR	1732	2165	2615	3074	3534	6.8	10.7	2.49	15.90 (5/8")	9.50 (3/8")	III	43.0
	TAJ4517THR-TZ	1 1/2	25.95	TRI	1732	2165	2615	3074	3534	3.2	4.2	2.42	15.90 (5/8")	9.50 (3/8")	III	41.0
	TAJ4519THR-TZ	1 3/5	34.50	TRI	2474	2943	3449	3980	4522	4.2	4.9	2.40	15.90 (5/8")	9.50 (3/8")	III	44.0
	CAJ4452YHRFZ	2/5	34.50	CSR	493	628	775	931	1094	4.1	6.1	1.72	12.70 (1/2")	6.35 (1/4")	I	31.0
HBP R-134a	CAJ4461YHRFZ	1/2	15.20	CSIR	595	739	896	1062	1235	4.6	6.5	1.57	12.70 (1/2")	6.38 (1/4")	I	33.0
	TAJ4461YHR TZ	1/2	18.30	TRI	617	765	927	1101	1283	1.7	2.6	1.82	12.70 (1/2")	6.35 (1/4")	I	30.0
	CAJ4476YHRFZ	2/3	18.30	CSIR	753	965	1200	1457	1733	5.3	7.5	2.04	12.70 (1/2")	9.50 (3/8")	II	31.0
	CAJ4492YHRFZ	3/4	25.95	CSIR	953	1211	1495	1804	2134	6.3	9.5	2.12	12.70 (1/2")	9.50 (3/8")	II	34.0
	TAJ4492YHR TZ	3/4	25.95	TRI	917	1202	1509	1836	2179	2.1	3.2	2.61	12.70 (1/2")	9.50 (3/8")	II	33.0
	CAJ4511YHRFZ	1	32.70	CSR	1218	1519	1843	2184	2536	5.7	9.2	2.09	15.90 (5/8")	9.50 (3/8")	II	35.0
TAJ4511YHR TZ	1	32.70	TRI	1198	1497	1817	2154	2504	2.8	3.7	2.05	15.90 (5/8")	9.50 (3/8")	II	33.0	

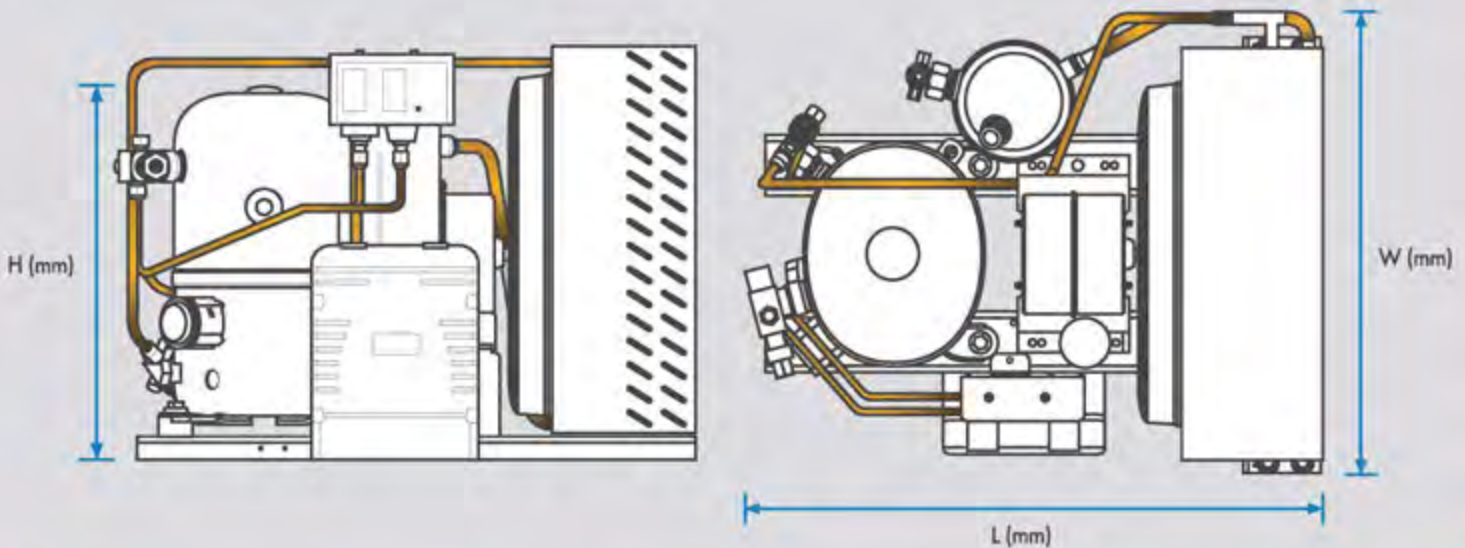
## ▶ 50 HZ RANGE [ FH ]

# FH

FH Condensing Unit for 50 Hz Range

### Dimension Specification for FH

Specification drawing is for reference only, for detail information please refer to our staffs.



DIMENSION I			DIMENSION II			DIMENSION III		
Height (mm)	Width (mm)	Length (mm)	Height (mm)	Width (mm)	Length (mm)	Height (mm)	Width (mm)	Length (mm)
450.0	512.0	630.0	469.0	1002.0	618.0	469.0	1002.0	642.0

MODEL	HP	Disp. (cm <sup>3</sup> )	Motor Type	CAPACITY (Watt)					CURRENT (A)		COP (W/W)	DIAMETER OF CONNECTION		DIMENSION	WEIGHT (KG)	
				-40 °C	-35 °C	-30 °C	-25 °C	-20 °C	I Nom (Amps)	I Max (Amps)		SUCTION (mm/Inches)	LIQUID (mm/Inches)			
LBP R-404A	FH2480ZBR-FZ	2	53.20	CSR	852	1233	1628	2086	2519	8.40	20.10	0.84	15.9 (5/8")	9.5 (3/8")	1	57.0
	FH2480ZBR-TZ	2	53.20	TR	824	1226	1641	2069	2509	3.20	5.20	1.10	15.9 (5/8")	9.5 (3/8")	1	53.0
	FH2511ZBR-FZ	2 3/4	74.20	CSR	1086	1560	2086	2656	3260	12.20	24.70	0.90	15.9 (5/8")	9.5 (3/8")	1	58.0
	FH2511ZBR-TZ	2 3/4	74.20	TR	1083	1519	2019	2577	3184	4.10	5.40	1.03	15.9 (5/8")	9.5 (3/8")	1	54.0

MODEL	HP	Disp. (cm <sup>3</sup> )	Motor Type	CAPACITY (Watt)					CURRENT (A)		COP (W/W)	DIAMETER OF CONNECTION		DIMENSION	WEIGHT (KG)	
				- 15 °C	- 10 °C	- 5 °C	0 °C	5 °C	I Nom (Amps)	I Max (Amps)		SUCTION (mm/Inches)	LIQUID (mm/Inches)			
HBR R-404A	FH4522ZHRFZ	1 4/5	39.9	CSR	2370	2917	3478	4052	4641	10.80	16.90	1.96	15.9 (5/8")	9.5 (3/8")	I	54.0
	TFH4522ZHR-TZ	1 4/5	39.9	TRI	2147	2644	3166	3706	4260	4.30	5.80	1.93	15.9 (5/8")	9.5 (3/8")	I	52.0
	FH4524ZHRFZ	2	43.5	CSR	2442	2986	3546	4114	4684	11.50	18.90	1.85	15.9 (5/8")	9.5 (3/8")	I	57.0
	TFH4524ZHR-TZ	2	43.5	TRI	2457	3009	3579	4155	4724	4.70	6.70	1.90	15.9 (5/8")	9.5 (3/8")	I	53.0
	FH4531ZHRFZ	2 3/5	56.6	CSR	3449	4334	5221	6117	7032	15.60	27.80	2.19	22.2 (7/8")	12.7 (1/2")	II	80.0
	TFH4531ZHR-TZ	2 3/5	56.6	TRI	3461	4226	5044	5912	6828	6.10	9.00	2.18	22.2 (7/8")	12.7 (1/2")	II	75.0
HBR R-22	FH4540ZHRFZ	3 2/7	74.2	CSR	4336	5316	6339	7384	8427	20.90	28.50	2.03	22.2 (7/8")	12.7 (1/2")	III	92.0
	TFH4540ZHR-TZ	3 2/7	74.2	TRI	4523	5477	6481	7524	8596	8.30	10.00	2.09	22.2 (7/8")	12.7 (1/2")	II	89.0
	FH4522FHR	1 4/5	39.95	CSR	2213	2737	3317	3950	4637	9.50	13.00	2.25	15.9 (5/8")	9.5 (3/8")	I	54.0
	TFH4522FHR	1 4/5	39.95	TRI	2213	2737	3317	3950	4637	4.30	5.80	2.32	15.9 (5/8")	9.5 (3/8")	I	52.0
	FH4524FHR	2	43.50	CSR	2267	2864	3476	4156	4886	11.50	18.90	2.21	15.9 (5/8")	9.5 (3/8")	I	56.0
	TFH4524FHR	2	43.50	TRI	2267	2864	3476	4156	4886	4.70	52.60	2.16	15.9 (5/8")	9.5 (3/8")	I	52.0
HBR R-134a	FH4531FHR	2 3/5	56.65	CSR	3510	4286	5127	6031	6999	15.60	27.80	2.37	22.2 (7/8")	12.7 (1/2")	II	80.0
	TFH4531FHR	2 3/5	56.65	TRI	3510	4286	5126	6031	6999	6.10	9.00	2.38	22.2 (7/8")	12.7 (1/2")	II	75.0
	TFH4540FHR	2 2/7	74.25	TRI	4055	5046	6111	7248	8458	8.30	10.00	2.16	22.2 (7/8")	12.7 (1/2")	III	89.0
	FH4518YHRFZ	1 1/2	53.2	CSR	1768	2267	2818	3422	4076	8.50	12.00	2.17	15.9 (5/8")	9.5 (3/8")	I	51.0
	TFH4518YHR-TZ	1 1/2	53.2	TRI	1729	2214	2760	3367	4034	4.10	4.90	2.26	15.9 (5/8")	9.5 (3/8")	I	51.0
	FH4525YHRFZ	2	74.25	CSR	2206	2831	3507	4232	5005	11.40	16.10	2.14	15.9 (5/8")	9.5 (3/8")	I	56.0
TFH4525YHR-TZ	2	74.25	TRI	2206	2831	3507	4232	5005	4.05	6.03	2.28	15.9 (5/8")	9.5 (3/8")	I	53.0	



**SUITABLE  
FOR FROZEN FOOD  
& OTHERS INDUSTRIES**

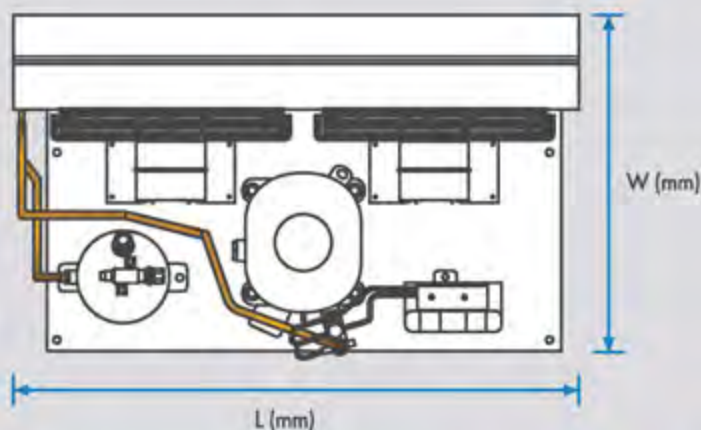
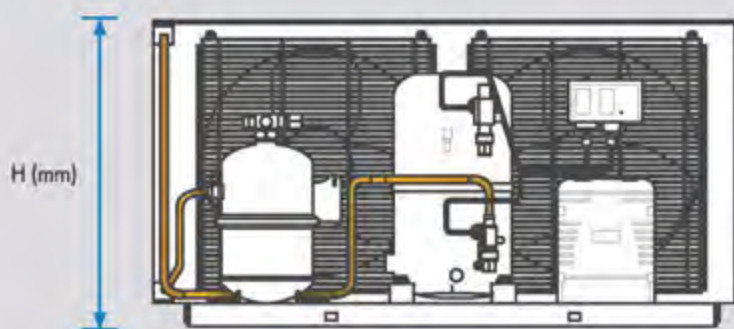
# ▶ 50 HZ RANGE [ AG ]

# AG

AG Condensing Unit for 50 Hz Range

## Dimension Specification fo AG

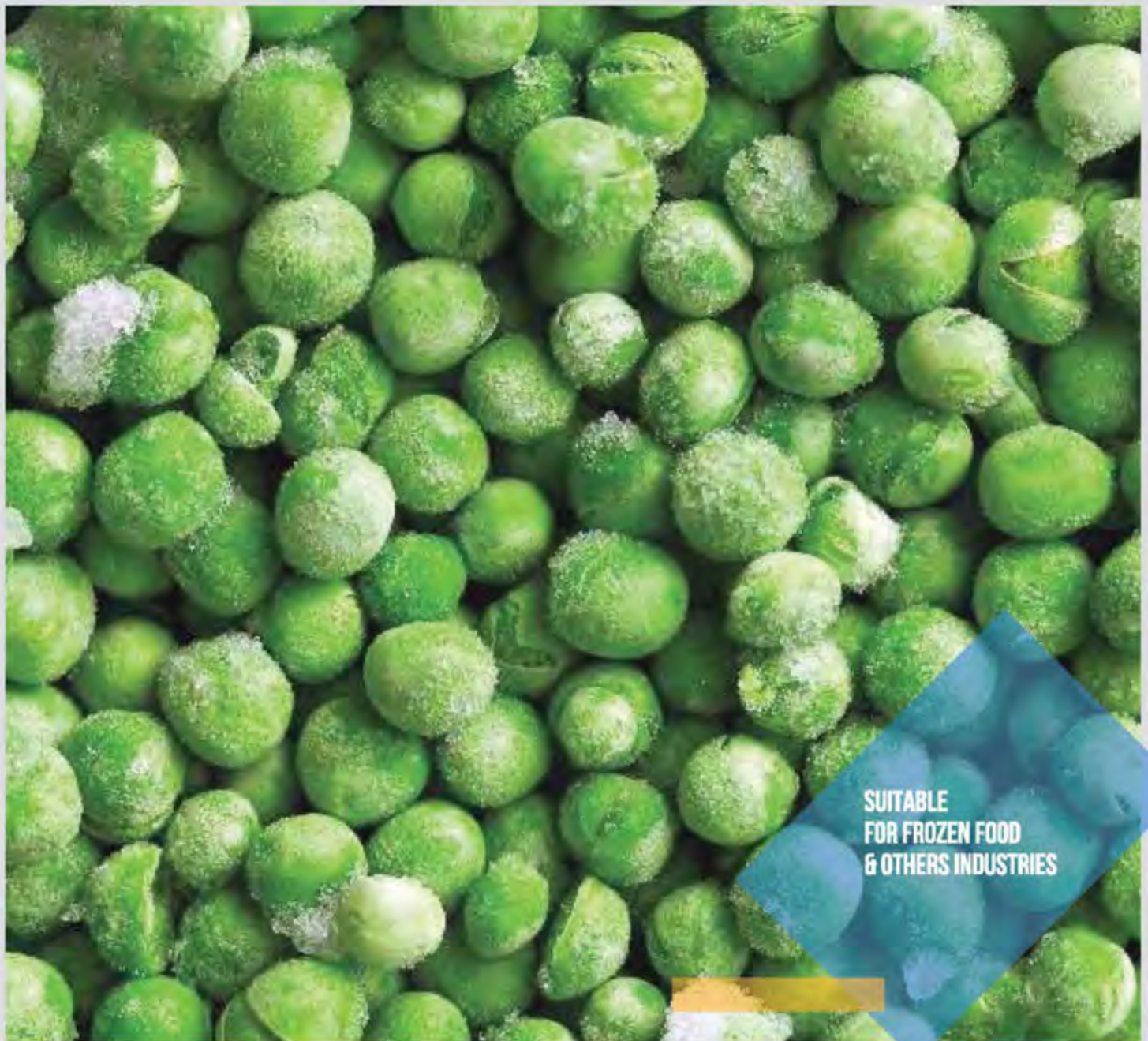
Specification drawing is for reference only, for detail information please refer to our staffs.



DIMENSION I			DIMENSION II			DIMENSION III		
Height (mm)	Width (mm)	Length (mm)	Height (mm)	Width (mm)	Length (mm)	Height (mm)	Width (mm)	Length (mm)
469.0	618.0	1002.0	469.0	442.0	1002.0	565.0	650.0	1080.0

MODEL	HP	Disp. (cm <sup>3</sup> )	Motor Type	CAPACITY (Watt)					CURRENT (A)		COP (W/W)	DIAMETER OF CONNECTION		DIMENSION	WEIGHT (KG)	
				-40 °C	-35 °C	-30 °C	-25 °C	-20 °C	I Nom (Amps)	I Max (Amps)		SUCTION (mm/Inches)	LIQUID (mm/Inches)			
18P R-404A	TAG2513ZBR	3 1/4	100.7	TRI	1054	1702	2474	3364	4356	5.0	9.3	0.91	22.2 (7/8")	9.5 (3/8")	I	105.0
	TAG2516ZBR	4	112.5	TRI	1602	2332	3130	3997	4932	5.4	10.7	1.06	22.2 (7/8")	9.5 (3/8")	I	106.0
	TAG2522ZBR	5 1/2	134.8	TRI	2022	2843	3785	4838	5987	6.5	14.2	1.10	28.6 (1 1/8")	9.5 (3/8")	II	110.0
	TAG2525ZBR	6 1/4	145.0	TRI	2258	3199	4253	5401	6612	7.1	14.1	1.12	28.6 (1 1/8")	9.5 (3/8")	II	108.0
					-15 °C	-10 °C	-5 °C	0 °C	5 °C							
18P R-404A	TAG4546ZFR	3 4/5	90.2	TRI	4944	6208	7582	9047	10579	8.1	13.2	2.35	22.2 (7/8")	15.9 (5/8")	III	116.0
	TAG4550ZHR	4 2/5	100.7	TRI	5416	6725	8128	9605	11134	8.9	14.5	2.16	22.2 (7/8")	15.9 (5/8")	III	115.0
	TAG4561ZHR	5	112.5	TRI	6218	7663	9205	10820	12482	10.1	15.1	2.18	28.6 (1 1/8")	15.9 (5/8")	III	122.0
	TAG4568ZHR	5 5/7	124.4	TRI	7466	9125	10911	12804	14783	11.3	16.3	2.35	28.6 (1 1/8")	15.9 (5/8")	III	129.0
	TAG4573ZHR	6	134.8	TRI	7952	9609	11377	13236	15163	12.5	20.0	2.15	28.6 (1 1/8")	15.9 (5/8")	III	127.0
	TAG4581ZHR	6 3/4	145.0	TRI	8675	10426	12207	13953	15580	13.8	22.0	2.04	28.6 (1 1/8")	15.9 (5/8")	III	129.0

MODEL	HP	Disp. (cm <sup>3</sup> )	Motor Type	CAPACITY (Watt)					CURRENT (A)		COP (W/W)	DIAMETER OF CONNECTION		DIMENSION	WEIGHT (KG)	
				- 15 °C	- 10 °C	- 5 °C	0 °C	5 °C	I Nom (Amps)	I Max (Amps)		SUCTION (mm/Inches)	LIQUID (mm/Inches)			
HBP R-22	TAG4546THR	5/6	90.2	TRI	4337	5558	6970	8575	10373	7.7	11.1	2.52	22.2 (7/8")	9.5 (3/8")	III	115.0
	TAG4553THR	5/6	100.7	TRI	5249	6572	8069	9741	11587	8.5	13.1	2.42	22.2 (7/8")	9.5 (3/8")	III	115.0
	TAG4561THR	5	112.5	TRI	5993	7622	9390	11298	13345	10.1	16.1	2.47	28.6 (1 1/8")	12.7 (1/2")	III	122.0
	TAG4568THR	5 5/7	124.4	TRI	7251	8882	10638	12519	14525	10.7	16.7	2.38	28.6 (1 1/8")	12.7 (1/2")	III	129.0
	TAG4573THR	6	134.8	TRI	8170	9776	11484	13295	15208	12.1	19.1	2.21	28.6 (1 1/8")	12.7 (1/2")	III	127.0
R-143A	TAG4528YHR	2 1/3	90.2	TRI	2421	3272	4208	5231	6339	4.9	9.9	2.29	22.2 (7/8")	9.5 (3/8")	I	89.0
	TAG4534YHR	2 5/6	100.7	TRI	2961	3929	4999	6173	7451	5.5	11.2	2.68	22.2 (7/8")	9.5 (3/8")	I	107.0
	TAG4537YHR	3	112.5	TRI	3427	4497	5663	6925	8282	6.2	10.8	2.73	22.2 (7/8")	9.5 (3/8")	I	108.0
	TAG4543YHR	3 3/5	124.4	TRI	3678	4843	6138	7563	9117	6.7	10.8	2.59	22.2 (7/8")	9.5 (3/8")	I	116.0



**SUITABLE  
FOR FROZEN FOOD  
& OTHERS INDUSTRIES**

A close-up photograph of a white bowl filled with three scoops of vanilla ice cream. The ice cream is topped with fresh fruit, including sliced strawberries, blueberries, and raspberries. A small sprig of mint is tucked into the top scoop. The bowl is set on a dark, textured surface, and another similar bowl is visible in the background. A white spoon is partially visible on the right side of the bowl. A blue rectangular box with white text is overlaid on the right side of the image, and a thin orange border highlights the bowl and its contents.

**CONDENSING  
UNIT**

**60HZ**

## ▶ 60 HZ RANGE [ AE<sup>2</sup> ]

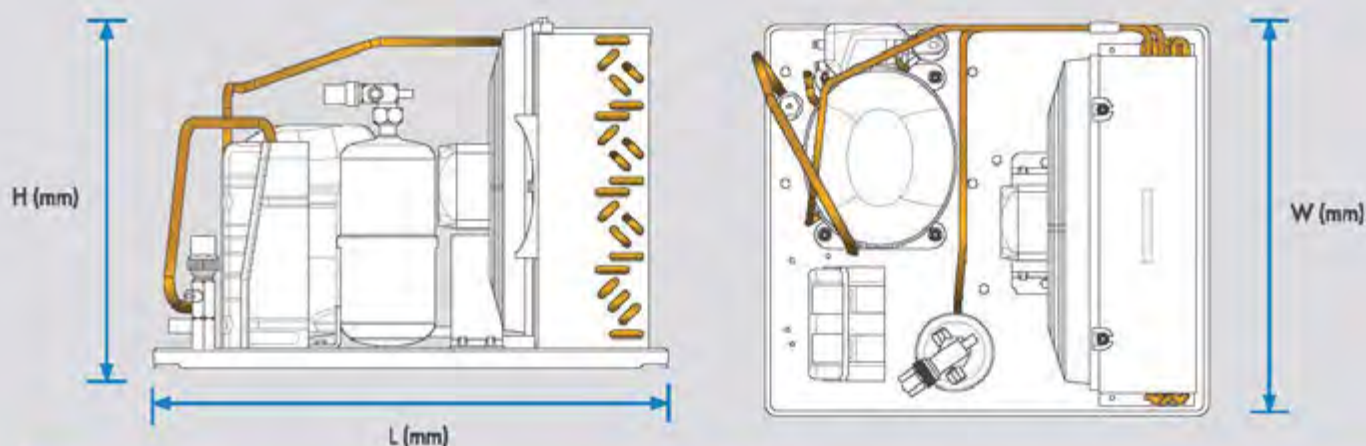


AE<sup>2</sup> Condensing Unit for 60 Hz Range



### Dimension Specification for AE<sup>2</sup>

Specification drawing is for reference only, for detail information please refer to our staffs.



DIMENSION I			DIMENSION II			DIMENSION III		
Height (mm)	Width (mm)	Length (mm)	Height (mm)	Width (mm)	Length (mm)	Height (mm)	Width (mm)	Length (mm)
237.0	300.0	350.0	298.0	330.0	485.0	338.0	425.0	480.0

MODEL	HP	Disp. (cm <sup>3</sup> )	Motor Type	CAPACITY (Watt)					CURRENT (A)		COP (W/W)	DIAMETER OF CONNECTION		DIMENSION	WEIGHT (KG)	
				-40 °C	-35 °C	-30 °C	-25 °C	-20 °C	I Nom (Amps)	I Max (Amps)		SUCTION (mm/inches)	LIQUID (mm/inches)			
LBP R-404A	AE2415ZBR-GS	3/8	7.33	CSIR	172	227	289	357	430	2.2	22.4	0.87	9.50 (3/8")	4.76 (3/16")	I	19.5
	AE2410ZBR-AA	1/4	5.02	CSIR	116	158	205	259	319	3.8	26.0	0.74	9.50 (3/8")	6.35 (1/4")	I	18.2
	AE2415ZBR-AA	3/8	7.33	CSIR	160	217	281	351	425	4.7	31.0	0.78	9.50 (3/8")	6.35 (1/4")	I	19.4
	AE2420ZBR-AA	1/2	9.35	CSIR	222	302	392	490	594	5.6	36.0	0.91	9.50 (3/8")	6.35 (1/4")	I	20.6
	AE2425ZBR-AA	5/8	12.01	CSR	314	413	522	638	763	6.8	44.0	0.86	9.50 (3/8")	6.35 (1/4")	II	25.9

## ▶ 60 HZ RANGE [ AE<sup>2</sup> ]

MODEL	HP	Disp. (cm <sup>3</sup> )	Motor Type	CAPACITY (Watt)					CURRENT (A)		COP (W/W)	DIAMETER OF CONNECTION		DIMENSION	WEIGHT (KG)	
				- 40 °C	- 35 °C	- 30 °C	- 25 °C	- 20 °C	I Norm (Amps)	I Max (Amps)		SUCTION (mm/Inches)	LIQUID (mm/Inches)			
HBP R-404A	AE4425Z-GS	1/5	4.24	CSIR	336	408	482	556	628	2.3	14.4	1.66	9.50 (3/8")	6.35 (1/4")	-	20.1
	AE4430Z-GS	1/4	5.16	CSIR	433	529	630	733	837	2.6	19.1	1.95	9.50 (3/8")	6.35 (1/4")	-	20.3
	AE4440Z-GS	1/3	6.69	CSIR	557	577	820	970	1131	3.8	22.0	1.94	9.50 (3/8")	6.35 (1/4")	-	24.7
	AE4450Z-GS	3/8	8.85	CSR	756	893	1036	1183	1331	3.8	22.0	1.70	9.50 (3/8")	6.35 (1/4")	-	24.9
	AE4460Z-GS	1/2	10.33	CSR	821	957	1098	1242	1390	4.3	23.0	1.53	9.50 (3/8")	6.35 (1/4")	-	25.3
	AE4425Z-AA	1/5	4.24	CSIR	343	412	483	555	627	4.5	24.0	1.64	9.50 (3/8")	6.35 (1/4")	-	19.1
	AE4450Z-AA	3/8	8.85	CSIR	752	893	1043	1199	1358	9.5	45.0	1.61	9.50 (3/8")	6.35 (1/4")	-	24.9
	AE4460Z-AA	1/2	10.33	CSIR	832	965	1101	1241	1382	10.9	51.0	1.39	9.50 (3/8")	6.35 (1/4")	-	24.5
	AE4470Z-AA	5/8	12.01	CSR	1064	1248	1450	1670	1907	10.0	49.0	1.87	9.50 (3/8")	6.35 (1/4")	-	28.0
	AE4425Y-GS	1/5	6.69	CSR	290	366	449	537	628	2.1	12.3	1.75	9.50 (3/8")	6.35 (1/4")	-	17.6
HBP R-134A	AE4430Y-GS	1/4	8.02	CSIR	387	487	598	719	849	2.5	17.2	2.07	9.50 (3/8")	6.35 (1/4")	-	20.5
	AE4440Y-GS	1/3	10.33	CSIR	518	640	769	903	1039	3.2	18.6	1.91	9.50 (3/8")	6.35 (1/4")	-	18.8
	AE4450Y-GS	3/8	13.24	CSR	658	803	962	1134	1316	3.5	22.0	1.87	9.50 (3/8")	6.35 (1/4")	-	25.0
	AE4425Y-AA	1/5	6.69	CSR	306	384	469	559	655	4.2	25.0	1.78	9.50 (3/8")	6.35 (1/4")	-	17.6
	AE4430Y-AA	1/4	8.02	CSIR	382	482	593	712	838	5.3	30.0	1.96	9.50 (3/8")	6.35 (1/4")	-	19.1
	AE4440Y-AA	1/3	10.33	CSIR	491	604	729	867	1015	6.4	32.0	1.74	9.50 (3/8")	6.35 (1/4")	-	18.8
	AE4456Y-AA	1/2	14.51	CSIR	732	902	1088	1289	1505	9.1	45.0	1.85	9.50 (3/8")	6.35 (1/4")	-	25.8



**SUITABLE  
FOR FROZEN FOOD  
& OTHERS INDUSTRIES**



# ▶ 60 HZ RANGE [AJ<sup>2</sup>]

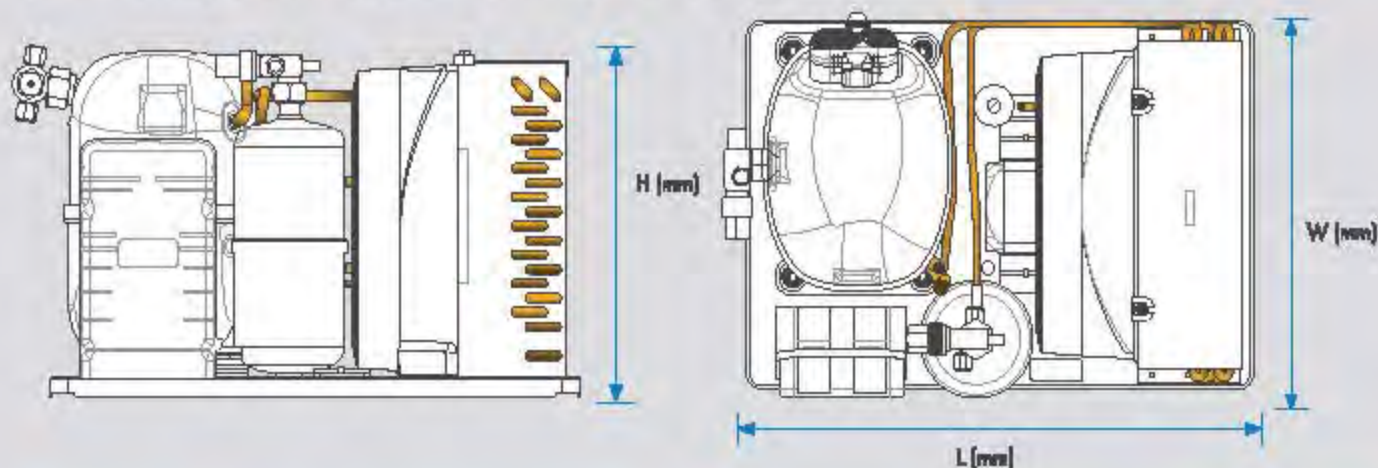


AJ<sup>2</sup> Condensing Unit for 60 Hz Range



## Dimension Specification for AJ<sup>2</sup>

Specification drawing is for reference only, for detail information please refer to our staffs.



DIMENSION I			DIMENSION II			DIMENSION III		
Height (mm)	Width (mm)	Length (mm)	Height (mm)	Width (mm)	Length (mm)	Height (mm)	Width (mm)	Length (mm)
300.0	343.0	510.0	340.0	430.0	490.0	445.0	512.0	607.0

MODEL	HP	Disp. (cm <sup>3</sup> )	Motor Type	CAPACITY (Watt)					CURRENT (A)		COP (W/W)	DIAMETER OF CONNECTION		REVISION	WEIGHT (KG)	
				-40 °C	-35 °C	-30 °C	-25 °C	-20 °C	I Nom (Amper)	I Max (Amper)		SUCTION (mm/Inch)	LIQUID (mm/Inch)			
HP R-404A	CAJ2432ZBRHZ	3/4	18.30	CSR	-	339	458	584	713	3.9	7.0	0.76	12.70 (1/2")	6.35 (1/4")	I	33.6
	CAJ2446ZBRHZ	1	26.20	CSR	-	600	804	1028	1272	5.7	12.4	0.95	12.70 (1/2")	9.50 (3/8")	II	36.0
	CAJ2464ZBRHZ	1 1/2	34.50	CSR	-	758	995	1252	1525	7.1	14.6	0.91	12.70 (1/2")	9.50 (3/8")	III	38.0
HP R-404A					-15 °C	-10 °C	-5 °C	0 °C	5 °C							
	CAJ480ZMHRHZ	2/3	15.20	CSR	1015	1210	1409	1604	1788	7.9	12.4	1.81	12.70 (1/2")	9.50 (3/8")	II	34.0
	CAJ9510ZMHRHZ	1	18.30	CSR	1258	1486	1717	1936	2124	7.9	12.4	1.77	15.90 (5/8")	9.50 (3/8")	I	36.0
	CAJ9513ZMHRHZ	1 1/8	24.20	CSR	1390	1692	1987	2268	2529	9.0	14.3	1.80	15.90 (5/8")	9.50 (3/8")	II	39.0
	CAJ9513ZMHRXA	1 1/8	24.20	CSR	1365	1675	1977	2268	2542	17.3	23.5	1.90	15.90 (5/8")	9.50 (3/8")	II	39.0
	TAJ4517ZHRKZ	1 1/2	25.95	TN	1828	2155	2505	2862	3204	6.6	7.6	2.15	15.90 (5/8")	9.50 (3/8")	III	47.0
HP R-134a	CAJ4519ZHRHZ	1 1/5	34.50	CSR	2392	2866	3338	3783	4173	12.3	17.0	1.98	15.90 (5/8")	9.50 (3/8")	III	49.0
	CAJ4461YHRXA	1/2	18.30	CSIR	575	730	895	1064	-	10.5	14.7	1.75	12.70 (1/2")	6.35 (1/4")	I	32.0
	CAJ4492YHRZ	3/4	25.95	CSIR	829	1124	1434	1748	2057	7.8	10.8	2.42	12.70 (1/2")	9.50 (3/8")	II	35.0



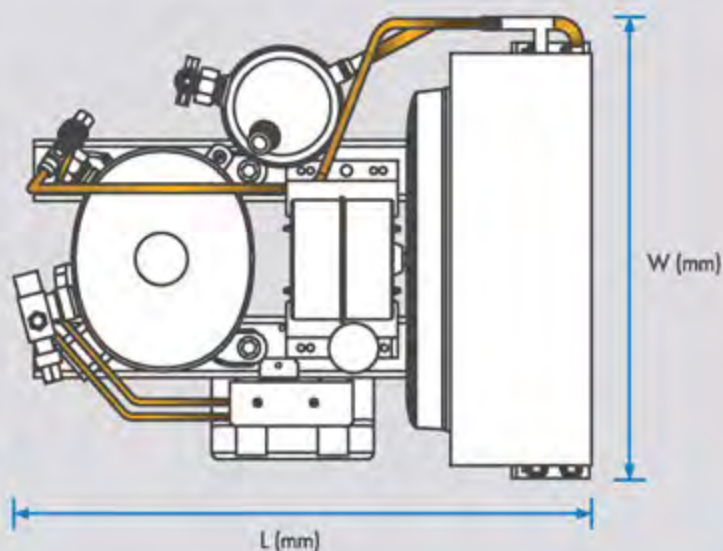
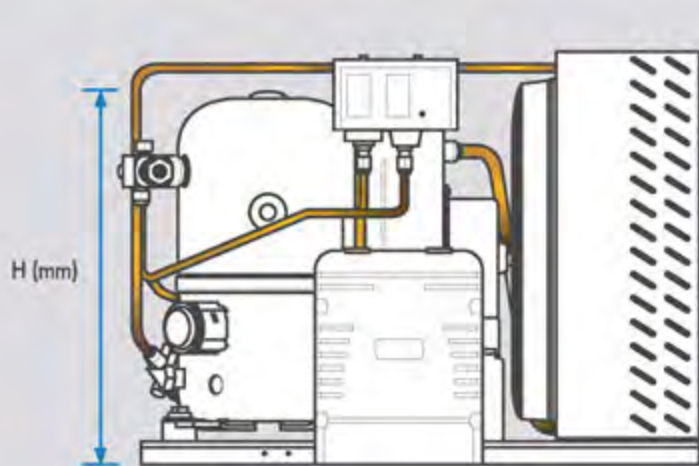
# ▶ 60 HZ RANGE [ FH ]

## FH

FH Condensing Unit for 60 Hz Range

### Dimension Specification for FH

Specification drawing is for reference only, for detail information please refer to our staffs.



DIMENSION I			DIMENSION II			DIMENSION III		
Height (mm)	Width (mm)	Length (mm)	Height (mm)	Width (mm)	Length (mm)	Height (mm)	Width (mm)	Length (mm)
450.0	512.0	630.0	469.0	1002.0	648.0	469.0	1002.0	642.0

MODEL	HP	Disp. (cm <sup>3</sup> )	Motor Type	CAPACITY (Watt)					CURRENT (A)		COP (W/W)	DIAMETER OF CONNECTION		DIMENSION	WEIGHT (KG)	
				-40 °C	-35 °C	-30 °C	-25 °C	-20 °C	I Nom (Amps)	I Max (Amps)		SUCTION (mm/Inches)	LIQUID (mm/Inches)			
LBP R-404A	FH2480ZBR-HZ	2	53.20	CSR	1003	1450	1913	2449	2952	10.8	25.2	0.82	15.9 (5/8")	9.5 (3/8")	I	57.0
	TFH2480ZBR-KZ	2	53.20	TRI	1003	1450	1913	2449	2952	6.74	12.8	0.94	15.9 (5/8")	9.5 (3/8")	I	53.0
	FH2511ZBR-HZ	2 3/4	74.20	CSR	1168	1788	2473	3152	3869	13.6	29.2	0.87	15.9 (5/8")	9.5 (3/8")	I	58.0
	TFH2511ZBR-KZ	2 3/4	74.20	TRI	1168	1788	2473	3152	3869	7.46	14.6	0.92	15.9 (5/8")	9.5 (3/8")	I	54.0
				-15 °C	-10 °C	-5 °C	0 °C	5 °C								
HBP R-404A	FH4524ZHR-HZ	2	43.50	CSR	3132	3818	4520	5239	5974	15.20	23.80	1.90	15.9 (5/8")	9.5 (3/8")	I	57.0
	TFH4524ZHR-KZ	2	43.50	TRI	3133	3818	4520	5239	5974	9.80	13.80	1.87	15.9 (5/8")	9.5 (3/8")	I	53.0
	FH4531ZHR-HZ	2 3/5	56.6	CSR	4435	5437	6455	7488	8536	19.90	33.00	2.07	22.2 (7/8")	12.7 (1/2")	II	80.0
	TFH4531ZHR-KZ	2 3/5	56.6	TRI	4435	5437	6455	7488	8536	12.60	16.80	2.00	22.2 (7/8")	12.7 (1/2")	II	75.0
	TFH4540ZHR-KZ	3 2/7	74.20	TRI	5358	6470	7614	8792	10003	16.20	24.30	1.83	22.2 (7/8")	12.7 (1/2")	II	89.0

MODEL	HP	Disp. (cm <sup>3</sup> )	Motor Type	CAPACITY (Watt)					CURRENT (A)		COP (W/W)	DIAMETER OF CONNECTION		DIMENSION	WEIGHT (KG)	
				- 15 °C	- 10 °C	- 5 °C	0 °C	5 °C	I Nom (Amps)	I Max (Amps)		SUCTION (mm/Inches)	LIQUID (mm/Inches)			
HBR R-22	FH4524FHR	2	43.50	CSR	2706	3410	4150	4931	5832	15.10	21.90	1.95	15.9 (5/8")	9.5 (3/8")	I	56.0
	TR4524FHR	2	43.50	TRI	2706	3410	4150	4931	5832	9.87	12.80	1.96	15.9 (5/8")	9.5 (3/8")	I	52.0
	FH4531FHR	2 3/5	56.65	CSR	4212	5092	6077	7208	8373	20.00	26.70	2.07	22.2 (7/8")	9.5 (3/8")	III	80.0
	TR4531FHR	2 3/5	56.65	TRI	4212	5092	6077	7208	8373	10.30	16.30	2.20	22.2 (7/8")	9.5 (3/8")	II	75.0
	TR4540FHR	3 1/3	74.25	TRI	4859	6009	7229	8711	10106	13.20	20.40	2.01	22.2 (7/8")	9.5 (3/8")	III	89.0
HBR R-134a	FH4518YHR+Z	1 1/2	53.20	CSR	2212	2764	3444	4203	4965	12.10	17.80	2.09	15.9 (5/8")	9.5 (3/8")	I	51.0
	TR4518YHR+Z	1 1/2	53.20	TRI	2217	2785	3436	4171	4990	7.00	10.80	2.21	15.9 (5/8")	9.5 (3/8")	I	51.0
	FH4525YHR+Z	2	74.25	CSR	2675	3443	4269	5152	6093	14.10	21.10	1.92	15.9 (5/8")	9.5 (3/8")	I	56.0
	TR4525YHR+Z	2	74.25	TRI	2675	3443	4269	5152	6093	8.60	13.10	1.97	15.9 (5/8")	9.5 (3/8")	I	54.0



**SUITABLE  
FOR FROZEN FOOD  
& OTHERS INDUSTRIES**

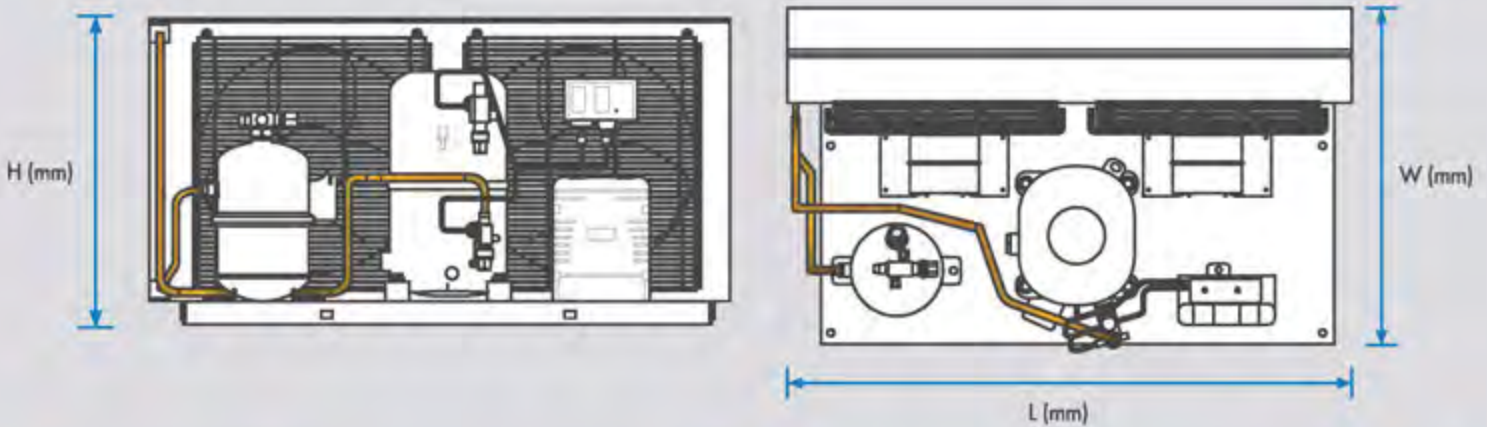
# ▶ 60 HZ RANGE [ AG ]

# AG

AG Condensing Unit for 60 Hz Range

## Dimension Specification fo AG

Specification drawing is for reference only, for detail information please refer to our staffs.



DIMENSION I			DIMENSION II			DIMENSION III		
Height (mm)	Width (mm)	Length (mm)	Height (mm)	Width (mm)	Length (mm)	Height (mm)	Width (mm)	Length (mm)
469.0	618.0	1002.0	565.0	650.0	1080.0	464.0	1080.0	650.0

MODEL	HP	Disp. (cm <sup>3</sup> )	Motor Type	CAPACITY (Watt)					CURRENT (A)		COP (W/W)	DIAMETER OF CONNECTION		DIMENSION	WEIGHT (KG)	
				-40 °C	-35 °C	-30 °C	-25 °C	-20 °C	I Nom (Amps)	I Max (Amps)		SUCTION (mm/Inches)	LIQUID (mm/Inches)			
LBP R-404A	TAG2516ZBR	4	112.5	TRI	1881	2744	3681	4691	5776	11.5	26.1	0.94	22.2 (7/8")	9.5 (3/8")	I	106.0
	TAG2522ZBR	5 1/2	134.8	TRI	2480	3523	4647	5854	7143	14.4	32.4	0.92	26.6 (1 1/8)	9.5 (3/8")	I	110.0
					-15 °C	-10 °C	-5 °C	0 °C	5 °C							
HBP R-404A	TAG4546ZHR	3 4/5	90.2	TRI	6161	7707	9349	11087	12922	19.2	25.4	2.23	22.2 (7/8")	15.9 (5/8")	II	116.0
	TAG4553ZHR	4 2/5	100.7	TRI	6570	8201	9910	11697	13562	20.9	31.0	2.08	22.2 (7/8")	15.9 (5/8")	II	115.0
	TAG4561ZHR	5	112.5	TRI	7503	9427	11447	13565	15781	23.4	34.0	2.11	28.6 (1 1/8)	15.9 (5/8")	II	122.0
	TAG4568ZHR	5 2/3	124.4	RI	8547	10950	13325	15671	17989	27.0	39.0	2.12	28.6 (1 1/8)	15.9 (5/8")	II	129.0
	TAG4573ZHR	6	134.8	TRI	9346	11440	13637	15937	18339	29.0	42.0	1.94	28.6 (1 1/8)	15.9 (5/8")	III	127.0

MODEL	HP	Disp. (cm <sup>3</sup> )	Motor Type	CAPACITY (Liters)					CURBWEIGHT (kg)		GDP (kW/ton)	DIAMETER OF CONNECTION		Max. Motor Speed (RPM)	Voltage (V)	
				-18 °C	-18 °C	-6 °C	0 °C	5 °C	I Max (Range)	I Max (Range)		SUCTION (mm/Inch)	DISCHARGE (mm/Inch)			
HP 1/22	TAG4546TR	5/6	90.2	TB	5115	6547	8194	10056	12135	15.8	24.0	2.28	22.2 (7/8)	9.5 (3/8)	11	115.0
	TAG4553TR	5/6	100.7	TB	6194	7741	9487	11425	13535	16.8	29.0	2.34	22.2 (7/8)	9.5 (3/8)	11	115.0
	TAG4561TR	5	112.5	TB	7045	8977	11039	13250	15612	18.8	35.0	2.32	28.6 (1 1/8)	12.7 (1/2)	11	122.0
	TAG4569TR	5 2/3	124.4	TB	7803	10036	12425	14971	17675	22.6	34.0	2.41	28.6 (1 1/8)	12.7 (1/2)	11	129.0
HP 2-1/2A	TAG4534YR	2 5/8	100.7	TB	3478	4624	5881	7246	8721	11.5	27.0	2.25	22.2 (7/8)	9.5 (3/8)	1	108.0
	TAG4537YR	3	112.5	TB	4026	5294	6661	8129	9895	13.5	27.0	2.19	22.2 (7/8)	9.5 (3/8)	1	108.0
	TAG4543YR	3 3/5	124.4	TB	4421	5702	7221	8877	10672	14.5	27.0	2.18	22.2 (7/8)	9.5 (3/8)	1	116.0



**SUITABLE  
FOR FROZEN FOOD  
& OTHERS INDUSTRIES**



# SPECIAL CONDENSING UNIT

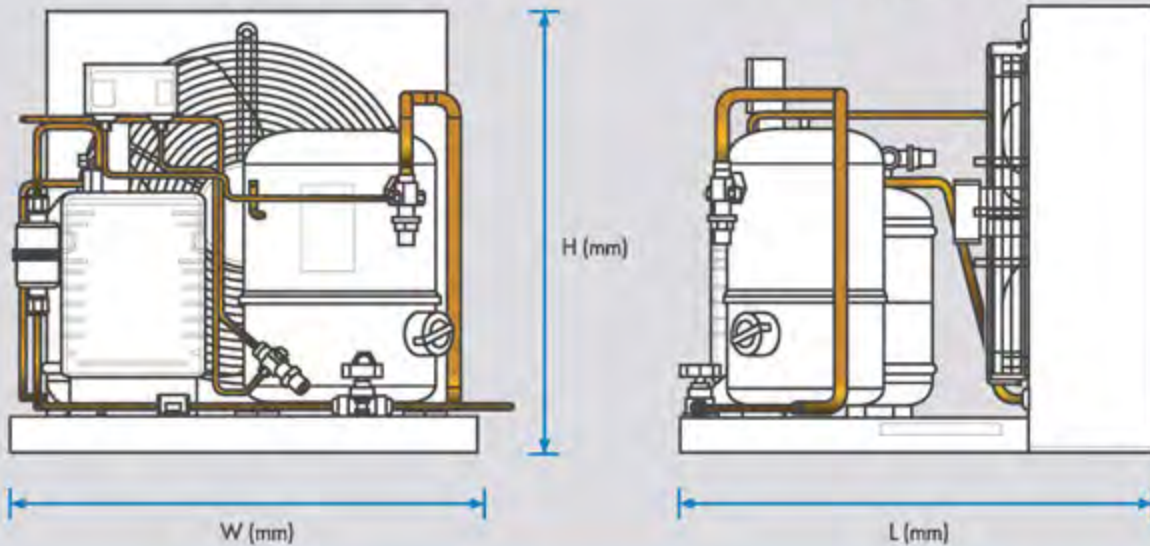
▶ [ EASYPACK ]

# EASYPACK



## Dimension Specification for Easypack

Specification drawing is for reference only, for detail information please refer to our staffs.



DIMENSION I			DIMENSION II			DIMENSION III		
Height (mm)	Width (mm)	Length (mm)	Height (mm)	Width (mm)	Length (mm)	Height (mm)	Width (mm)	Length (mm)
558.0	600.0	600.0	565.0	974.0	590.0	673.0	1060.0	690.0

MODEL	HP	CAPACITY (Watt)					CURRENT (A)		DIAMETER OF CONNECTION		CONDENSER FAN		DIMENSION	WEIGHT (KG)	UNIT COOLER MATCHING	
		-40 °C	-35 °C	-30 °C	-25 °C	-20 °C	I Nom (Amps)	I Max (Amps)	SUCTION (mm/Inches)	LIQUID (mm/Inches)	Nos	Dia. (mm)				
LBP R-404A	EP5L2480Z	2	773	1198	1629	2066	2509	8.3	20.1	15.9 (5/8")	9.5 (3/8")	1	400	I	73.0	TEM-2.2/12
	EPL2480Z	2	805	1249	1701	2161	2629	2.8	4.3	15.9 (5/8")	9.5 (3/8")	1	400	I	73.0	TEM-2.2/12
	EP5L2511Z	2 3/4	1069	1572	2137	2763	3449	12.9	25.5	15.9 (5/8")	9.5 (3/8")	1	400	I	80.0	TEM-3.7/22
	EPL2511Z	2 3/4	1069	1572	2137	2763	3449	4.0	5.9	15.9 (5/8")	9.5 (3/8")	1	400	I	80.0	TEM-3.7/22
	EPL2513Z	3 1/4	1010	1645	2398	3266	4237	5.0	9.3	22.2 (7/8")	9.5 (3/8")	2	400	II	91.4	TEM-3.7/22
	EPL2516Z	4	1492	2185	2960	3813	4743	5.4	10.7	22.2 (7/8")	9.5 (3/8")	2	400	I	110.0	TEM-5.6/30
	EPL2522Z	5 1/2	1895	2739	3723	4849	6112	6.9	14.7	28.6 (1 1/8")	9.5 (3/8")	2	400	II	118.0	TEM-5.6/30
	EPL2525Z	6 1/4	2053	2971	3993	5102	6270	7.4	14.7	28.6 (1 1/8")	9.5 (3/8")	2	400	I	108.0	TEM-5.6/30

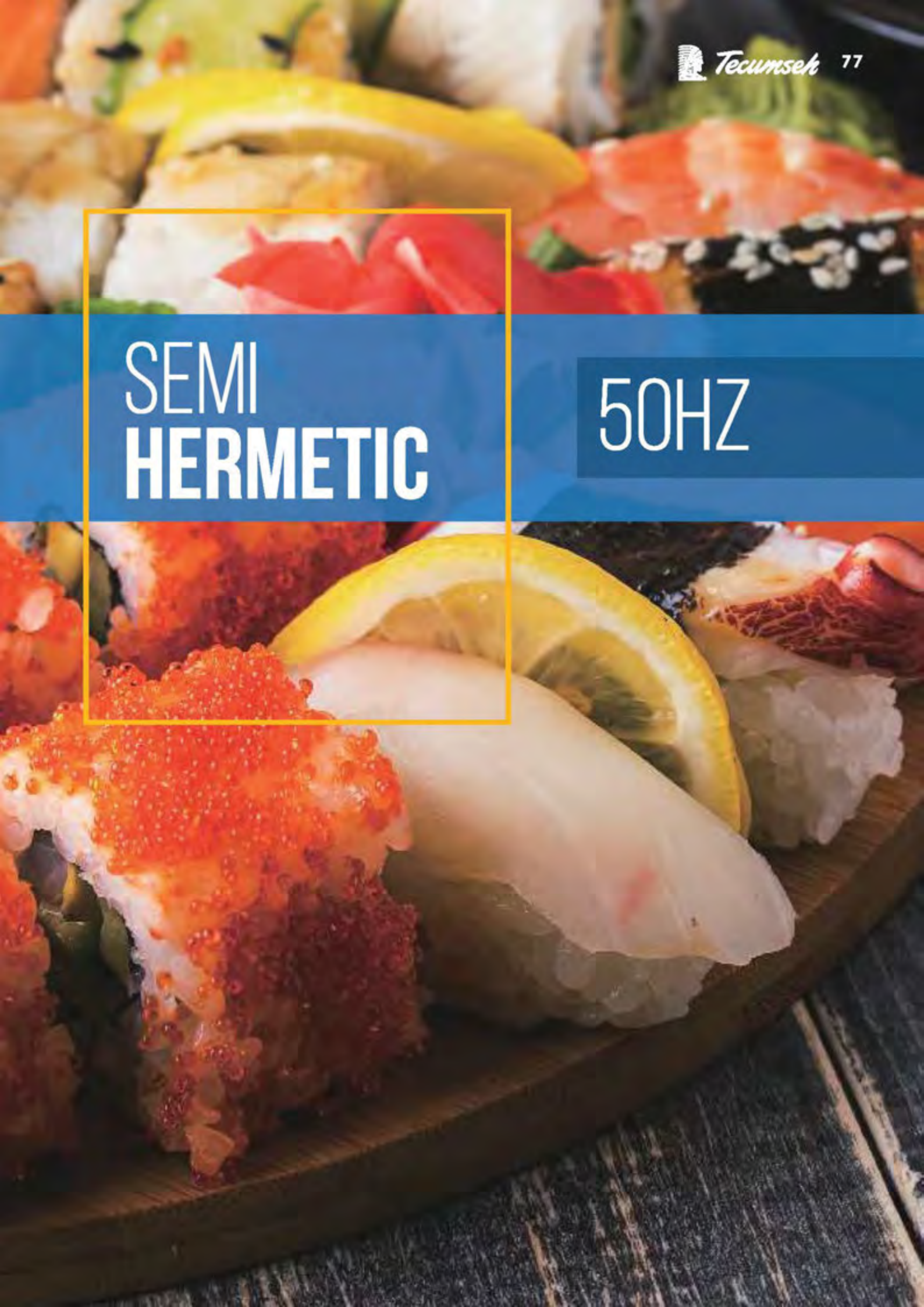




MODEL	HP	CAPACITY (Watt)					CURRENT (A)		DIAMETER OF CONNECTION		CONDENSER FAN		DIMENSION	WEIGHT (KG)	UNIT COOLER MATCHING	
		-15 °C	-10 °C	-5 °C	0 °C	6 °C	I Nom (Amps)	I Max (Amps)	SUCTION (mm/Inches)	LIQUID (mm/Inches)	Nos	Dia. (mm)				
HBP R-404A	EPH4517Z	1 1/2	1798	2171	2572	2997	3444	8.0	13.4	15.9 (5/8")	9.5 (3/8")	1	400	I	60.0	TEMH3.0/15
	EPH4517Z	1 1/2	1757	2158	2582	3028	3494	3.4	4.4	15.9 (5/8")	9.5 (3/8")	1	400	I	60.0	TEMH3.0/15
	EPH4519Z	1 3/5	2382	2903	3457	4039	4644	10.7	16.0	15.9 (5/8")	9.5 (3/8")	1	400	I	60.0	TEMH4.1/20
	EPH4519Z	1 3/5	2149	2921	3459	4030	4630	4.6	5.4	15.9 (5/8")	9.5 (3/8")	1	400	I	60.0	TEMH4.1/20
	EPH4524Z	2	2442	3053	3706	4397	5125	11.0	19.0	15.9 (5/8")	9.5 (3/8")	1	400	I	73.0	TEMH4.1/20
	EPH4524Z	2	2442	3053	3706	4397	5125	4.2	6.9	15.9 (5/8")	9.5 (3/8")	1	400	I	73.0	TEMH4.1/20
	EPH4531Z	2 3/5	3636	4486	5361	6262	7184	14.8	28.0	22.2 (7/8")	12.7 (1/2")	1	400	I	78.0	TEMH4.9/20
	EPH4531Z	2 3/5	3636	4486	5361	6262	7184	5.4	9.0	22.2 (7/8")	12.7 (1/2")	1	400	I	78.0	TEMH4.9/20
	EPH4540Z	3 2/7	4490	5433	6444	7518	8654	20.0	28.8	22.2 (7/8")	12.7 (1/2")	1	400	I	80.0	TEMH8.0/40
	EPH4540Z	3 2/7	4490	5433	6444	7518	8654	7.0	10.4	22.2 (7/8")	12.7 (1/2")	1	400	I	80.0	TEMH8.0/40
	EPH4546Z	3 4/5	4659	5972	7438	9056	10823	8.6	13.7	22.2 (7/8")	12.7 (1/2")	2	400	II	110.0	TEMH8.0/40
	EPH4553Z	4 2/5	5260	6703	8291	10019	11878	8.9	14.5	28.6 (1 1/8")	12.7 (1/2")	2	400	II	118.0	TEMH8.0/40
	EPH4561Z	5	6013	7508	9136	10895	12776	10.1	17.0	28.6 (1 1/8")	12.7 (1/2")	2	400	II	118.0	TEMH11.2/55
	EPH4568Z	5 5/7	7271	9026	10972	13118	15476	11.3	16.3	28.6 (1 1/8")	12.7 (1/2")	2	400	II	135.0	TEMH11.2/55
	EPH4573Z	6	7875	9692	11700	13905	16314	13.0	21.0	28.6 (1 1/8")	12.7 (1/2")	2	400	II	135.0	TEMH11.2/55
	EPH4581Z	6 3/4	8540	10384	12329	14347	16414	15.2	23.0	28.6 (1 1/8")	12.7 (1/2")	2	400	III	135.0	TEMH11.2/55
HBP R-22	EPH4517T	1 1/2	1672	2102	2555	3024	3498	6.5	10.9	15.9 (5/8")	9.5 (3/8")	1	400	I	60.0	TEMH3.0/15
	EPH4517T	1 1/2	1672	2102	2555	3024	3498	3.2	4.2	15.9 (5/8")	9.5 (3/8")	1	400	I	60.0	TEMH3.0/15
	EPH4519T	1 3/5	2426	2918	3462	4046	4661	4.2	4.9	15.9 (5/8")	9.5 (3/8")	1	400	I	60.0	TEMH4.1/20
	EPH4524F	2	2328	2953	3654	4431	5282	4.0	14.7	15.9 (5/8")	9.5 (3/8")	1	400	I	73.0	TEMH4.1/20
	EPH4524F	2	2328	2953	3654	4431	5282	4.0	5.5	15.9 (5/8")	9.5 (3/8")	1	400	I	73.0	TEMH4.1/20
	EPH4531F	2 3/5	3442	4198	5049	5976	6978	15.0	22.7	22.2 (7/8")	12.7 (1/2")	1	400	I	78.0	TEMH4.9/20
	EPH4531F	2 3/5	3442	4198	5049	5976	6978	5.1	7.5	22.2 (7/8")	12.7 (1/2")	1	400	I	78.0	TEMH4.9/20
	EPH4540F	3 2/7	4032	5029	6129	7333	8639	7.0	9.5	22.2 (7/8")	12.7 (1/2")	1	400	I	80.0	TEMH8.0/40
	EPH4546T	3 4/5	4443	5497	6832	8448	10344	7.5	11.1	22.2 (7/8")	12.7 (1/2")	2	400	II	110.0	TEMH8.0/40
	EPH4553T	4 2/5	5162	6274	7711	9470	11552	8.3	13.1	28.6 (1 1/8")	12.7 (1/2")	2	400	II	118.0	TEMH8.0/40
	EPH4561T	5	5630	7286	9060	10949	12952	10.6	16.1	28.6 (1 1/8")	12.7 (1/2")	2	400	II	118.0	TEMH11.2/55
	EPH4568T	5 5/7	6310	8235	10327	12584	15005	10.4	16.7	28.6 (1 1/8")	12.7 (1/2")	2	400	II	135.0	TEMH11.2/55
	EPH4573T	6	6711	8614	10725	13043	15567	11.3	19.1	28.6 (1 1/8")	12.7 (1/2")	2	400	II	135.0	TEMH11.2/55

SEMI  
HERMETIC

50HZ



▶ 50 HZ RANGE [ SH ]

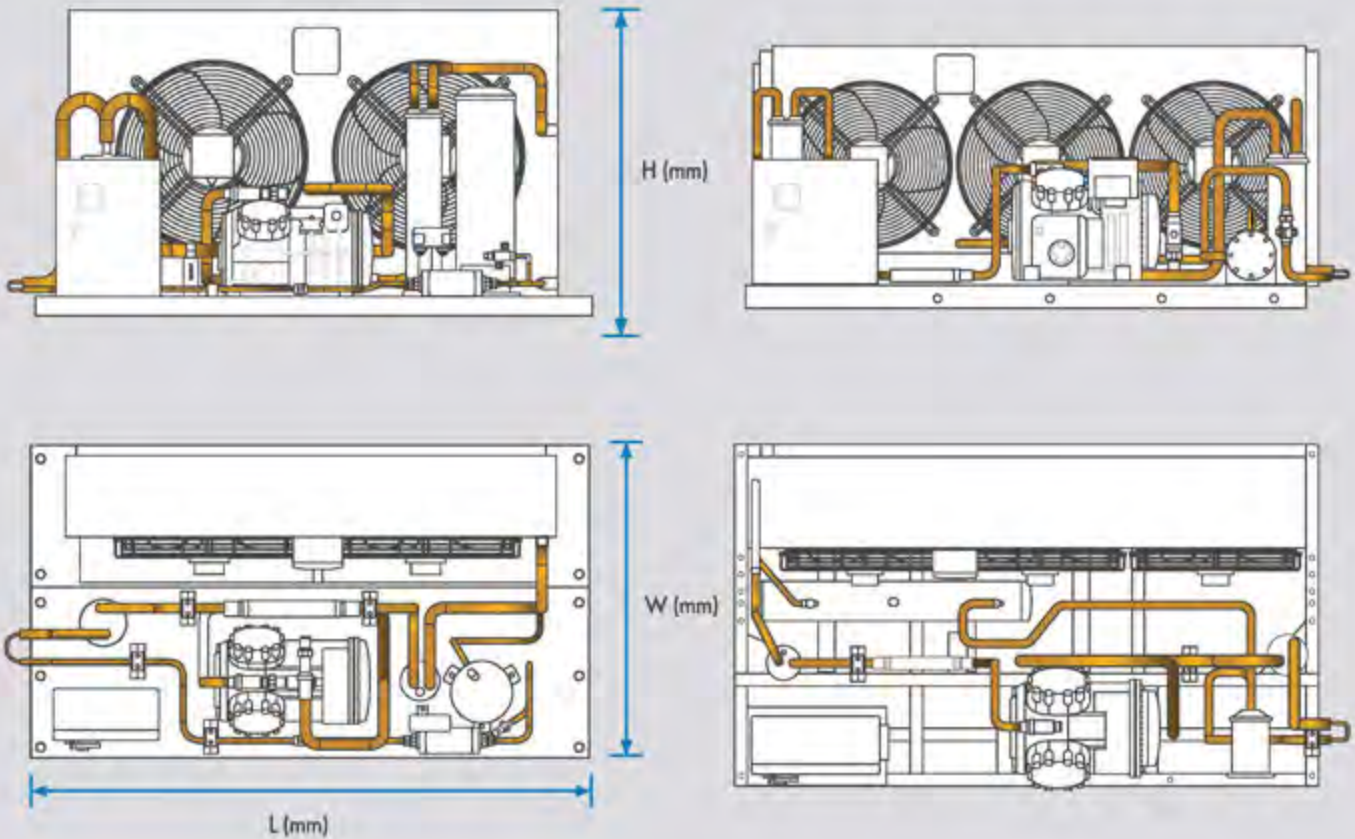
# SH

Semi-Hermetic Unit for 50 Hz Range



## Dimension Specification for Semi-Hermetic

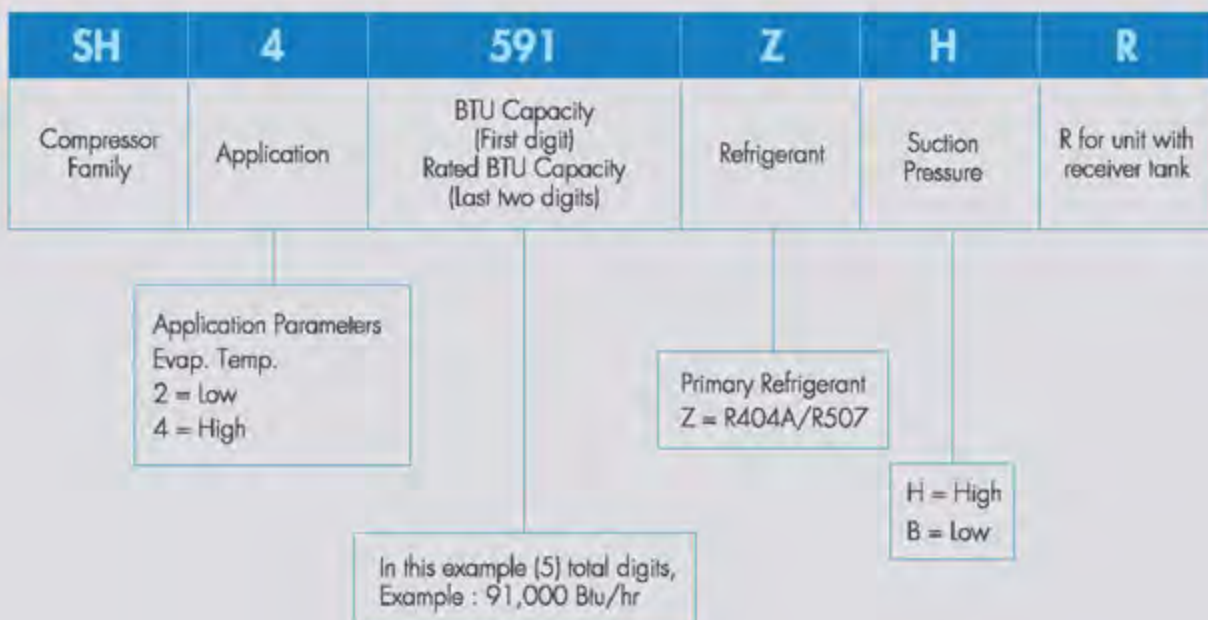
Specification drawing is for reference only, for detail information please refer to our staffs.



DIMENSION I			DIMENSION II		
Height (mm)	Width (mm)	Length (mm)	Height (mm)	Width (mm)	Length (mm)
690	690	1,600	936	890	1,600
DIMENSION I			DIMENSION II		
Height (mm)	Width (mm)	Length (mm)	Height (mm)	Width (mm)	Length (mm)
905	1,100	1,880	1,875	1,440	1,540

MODEL	CAPACITY (Watt)					CURRENT (A)		COP W/W	DIAMETER OF CONNECTION		CONDENSER FAN		WEIGHT (KG)	DIMENSION	
	- 40 °C	- 35 °C	- 30 °C	- 25 °C	- 20 °C	I Nom (Amps)	I Max (Amps)		SUCTION (mm/Inches)	LIQUID (mm/Inches)	Nos	Dia. (mm)			
LBP R-404A	SHT2534ZBR	3520	4753	6146	7692	9373	11.1	16.3	1.24	34.9 (1 3/8)	15.9 (5/8)	2	400	177.0	I
	SHT2542ZBR	4398	5741	7248	8915	10734	12.1	16.7	1.27	34.9 (1 3/8)	15.9 (5/8)	2	500	182.0	II
	SHT2552ZBR	5523	7206	9126	11286	13676	15.1	21.7	1.43	34.9 (1 3/8)	15.9 (5/8)	2	500	186.0	II
	SHT2568ZBR	7061	9252	11563	14031	16667	18.4	26.8	1.38	34.9 (1 3/8)	15.9 (5/8)	2	500	227.0	II
	SHT2575ZBR	8074	10749	13682	16920	20492	23.2	33.4	1.36	41.3 (1 5/8)	15.9 (5/8)	2	500	242.0	II
	SHT2610ZBR	10557	14159	18186	22624	27416	29.6	42.4	1.44	41.3 (1 5/8)	22.2 (7/8)	3	500	367.0	III
	SHT2614ZBR	12551	17145	22388	28186	34430	37.3	47.5	1.35	54.0 (2 1/8)	22.2 (7/8)	4	500	391.0	IV
	SHT2615ZBR	14675	19257	25466	31668	38213	38.0	53.2	1.39	54.0 (2 1/8)	22.2 (7/8)	4	500	416.0	IV
	- 15 °C	- 10 °C	- 5 °C	0 °C	5 °C										
HBP R-404A	SHT4576ZHR	9001	10780	12639	14550	16483	12.9	13.9	2.57	28.6 (1 1/8)	15.9 (5/8)	2	500	177.0	II
	SHI4591ZHR	10973	13177	15564	18104	20759	14.9	15.0	2.68	28.6 (1 1/8)	15.9 (5/8)	2	500	177.0	II
	SHT4610ZHR	12970	15504	18156	20921	23835	18.9	20.3	2.40	34.9 (1 3/8)	15.9 (5/8)	2	500	182.0	II
	SHT4612ZHR	14964	17755	20558	23382	26328	21.1	22.7	2.25	34.9 (1 3/8)	15.9 (5/8)	2	500	186.0	II
	SHT4615ZHR	17326	20766	24450	28248	31995	23.2	25.1	2.37	34.9 (1 3/8)	22.2 (7/8)	2	500	232.0	II
	SHI4620ZHR	23781	27812	31947	36217	40749	32.6	35.1	2.29	41.3 (1 5/8)	22.2 (7/8)	3	500	232.0	III
	SHT4622ZHR	25450	30067	34965	40298	45858	38.5	42.4	2.60	41.3 (1 5/8)	22.2 (7/8)	3	500	320.0	III
	SHT4627ZHR	28651	34049	39828	45801	52020	41.6	47.5	2.36	54.0 (2 1/8)	22.2 (7/8)	4	500	372.0	IV
SHT4632ZHR	36686	43874	51692	59933	68668	46.4	53.2	2.71	54.0 (2 1/8)	22.2 (7/8)	4	500	372.0	IV	

## ▶ CONDENSING UNIT NOMENCLATURE





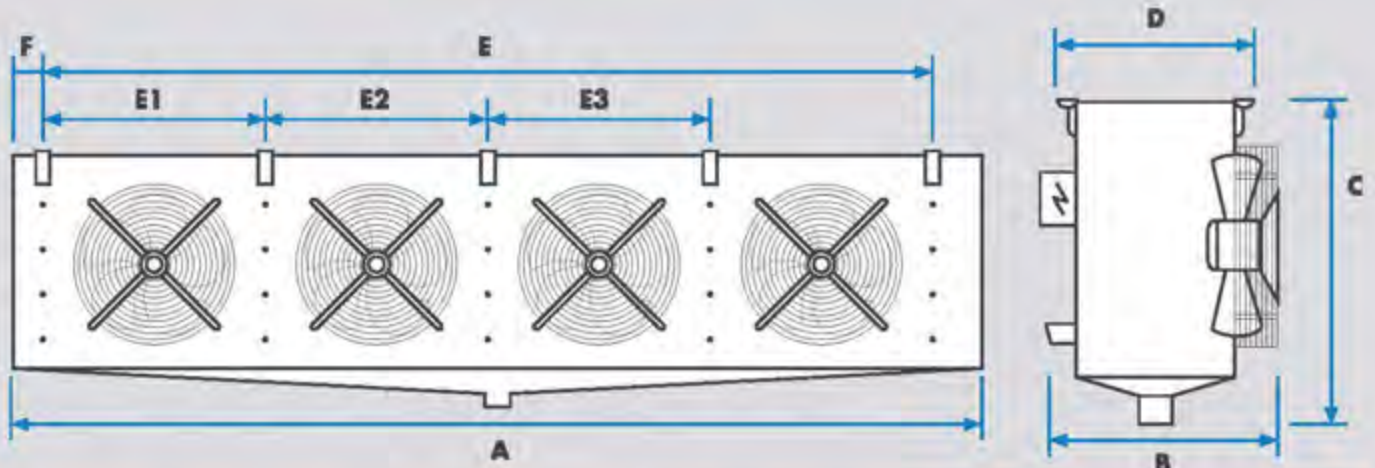
# UNIT COOLER

# UNIT COOLER [ UC ]



## Dimension Specification for Unit Cooler

Specification drawing is for reference only, for detail information please refer to our staffs.



MODEL	A	B	C	D	E	E1	E2	E2	F1	DEFROST METER					
										Inlet	Outlet	Drainage			
TEMH3.0/15	1000	440	490	325	780	-	-	-	80	1/2	3/4	3/4			
TEML2.2/12					910										
TEMH4.1/20	1130	390	525	345	800				-	-	158		7/8		
TEMH4.9/20	1115														
TEML3.0/15	1330				470				630	365	1060		1" 1/8		
TEMH8.0/40	1600	470	630	365	1330				-	-	-		5/8	1" 1/4	
TEML5.6/30					1650										
TEMH11.2/55					1920										1" 1/4
TEML7.5/40	2720	635	730	435	2450				800	800	800		95	3/4	1"
TEMH16.2/80															
TEML11.2/60						1" 1/2									
TEMH21.3/105						1" 1/2									
TEML14.9/80	3520	725	830	525	3250	800	800	800	7/8	1" 7/8	1" 1/2				
TEMH25.0/125												1" 1/2			
TEML18.7/100												1" 1/2			
TEMH32.6/160												1" 1/2			
TEML22.4/120												1" 1/2			
TEMH37.6/185	7/8	830	525	525	3250	800	800	800	7/8	1" 7/8	1" 1/2				
TEML26.2/140												1" 1/2			
TEMH42.7/210												1" 1/2			
TEML30.0/160	7/8	830	525	525	3250	800	800	800	7/8	1" 7/8	1" 1/2				
TEML30.0/160												1" 1/2			

## 82 PRODUCTS & SPECIFICATIONS . UNIT COOLER .

### Features & Performance

Correction Factor of nominal capacity kW (R404A) for different room temperatures and TD (F1)

ΔT [K]																	
10	1.09	1.09	1.10	1.13	1.16	1.19	1.22	1.25	1.29	1.34	1.38	1.42	1.47	1.47	1.47	1.47	1.47
9	0.98	0.98	0.99	1.02	1.04	1.07	1.10	1.13	1.16	1.20	1.24	1.28	1.32	1.32	1.32	1.32	1.32
8	0.87	0.87	0.88	0.90	0.93	0.95	0.98	1.00	1.04	1.07	1.10	1.14	1.17	1.17	1.17	1.17	1.17
7	0.76	0.76	0.77	0.79	0.81	0.83	0.85	0.88	0.91	0.94	0.97	1.00	1.03	1.03	1.03	1.03	1.03
6	0.65	0.65	0.66	0.68	0.70	0.71	0.73	0.75	0.78	0.80	0.83	0.85	0.88	0.88	0.88	0.88	0.88
5	0.54	0.54	0.55	0.57	0.58	0.60	0.61	0.63	0.65	0.67	0.69	0.71	0.73	0.73	0.73	0.73	0.73
4	0.44	0.44	0.44	0.45	0.46	0.48	0.49	0.50	0.52	0.54	0.55	0.57	0.59	0.59	0.59	0.59	0.59
°C	-35	-30	-25	-20	-15	-10	-5	0	1	2	3	4	5	6	8	10	12

Correction Factor for Refrigerants (F2)

T. Room (°C)	-35	-30	-25	-20	-15	-10	-5	0	1	2	3	4	5	6	8	10	12
R22	0.95	0.95	0.95	0.95	0.95	0.95	0.95	0.95	0.95	0.95	0.95	0.95	0.95	0.95	0.95	0.95	0.95
R134a					0.86	0.88	0.89	0.91	0.91	0.91	0.92	0.92	0.92	0.92	0.93	0.93	0.93
R404A	1.00	1.00	1.00	1.00	1.00	1.00	1.00	1.00	1.00	1.00	1.00	1.00	1.00	1.00	1.00	1.00	1.00

EASY PACK MODELS	UNIT COOLER MODELS	SEMI-HERMETIC	UNIT COOLER MODELS
<b>High Back Pressure Models</b>			
EPS/EP H4517Z	TEMH3.0/15	SHT4576ZHR	TEMH16.2/80
EPS/EP H4519Z	TEMH4.1/20	SHT4591ZHR	TEMH16.2/80
EPS/EP H4524Z	TEMH4.1/20	SHT4610ZHR	TEMH21.3/105
EPS/EP H4531Z	TEMH4.9/20	SHT4612ZHR	TEMH21.3/105
EPS/EP H4540Z	TEMH8.0/40	SHT4615ZHR	TEMH25.0/125
EP H4546Z	TEMH8.0/40	SHT4620ZHR	TEMH32.6/160
EP H4553Z	TEMH8.0/40	SHT4622ZHR	TEMH37.6/185
EP H4561Z	TEMH11.2/55	SHT4627ZHR	TEMH42.7/210
EP H4568Z	TEMH11.2/55	SHT4632ZHR	TEMH57.4/280
EP H4573Z	TEMH11.2/55		
EP H4581Z	TEMH11.2/55	-	-
<b>Low Back Pressure Models</b>			
EPS/EP L2480Z	TEML2.2/12	SHT 2534 ZBR	TEML7.5/40
EPS/EP L2511Z	TEML3.0/15	SHT 2542 ZBR	TEML 11.2/60
EP L2513Z	TEML5.6/30	SHT 2552 ZBR	TEML 11.2/60
EP L2516Z	TEML5.6/30	SHT 2568 ZBR	TEML14.9/80
EP L2522Z	TEML5.6/30	SHT 2575 ZBR	TEML18.7/100
EP L2525Z	TEML5.6/30	SHT 2610 ZBR	TEML22.4/120
-	-	SHT 2614 ZBR	TEML26.2/140
-	-	SHT 2615 ZBR	TEML30.0/160

CT = Nominal Capacity x F1 x F2

CT Heat Load  
 F1 Correction factor of nominal capacity  
 F2 Correction factor for refrigerants

## ▶ UNIT COOLER [ UC ]

MODEL	NOMINAL CAPACITY		FAN MOTOR					DEFROST HEATER			WEIGHT (KG)	
	W	Btu/hr	Nos	Dia Ø (mm)	Air Volume (m <sup>3</sup> /hr)	Motor Power (w)	Volt (v)	Coil (kW)	Drain Pan (kW)	Volt (v)		
LBP R-404A	TEM-2.2/12	2813	9599	2	Ø 300	2 x 1650	2 x 75	220	1.50	0.82	220	27
	TEM-3.0/15	3836	13090	2	Ø 300	2 x 1650	2 x 75	220	2.94	1.06	220	45
	TEM-5.6/30	7161	24434	2	Ø 400	2 x 3400	2 x 180	220	2.10	1.11	220	65
	TEM-7.5/40	9591	32724	2	Ø 400	2 x 3400	2 x 180	220	2.58	1.35	220	73
	TEM-11.2/60	14322	48868	2	Ø 500	2 x 6300	2 x 550	380	6.20	1.72	220	115
	TEM-14.9/80	19054	65011	2	Ø 500	2 x 6300	2 x 550	380	6.20	1.72	220	125
	TEM-18.7/100	23913	81591	3	Ø 500	3 x 6300	3 x 550	380	9.08	2.44	220	170
	TEM-22.4/120	28645	97735	3	Ø 500	3 x 6300	3 x 550	380	9.08	2.44	220	180
	TEM-26.2/140	33504	114315	4	Ø 500	4 x 6300	4 x 550	380	11.96	3.02	220	210
	TEM-30.0/160	38363	130895	4	Ø 500	4 x 6300	4 x 550	380	11.96	3.02	220	240
HBP R-404A	TEMH-3.0/15	3409	11632	2	Ø 300	2 x 1650	2 x 75	220	1.50	0.82	220	30
	TEMH-4.1/20	4659	15899	2	Ø 300	2 x 1650	2 x 75	220	1.80	0.94	220	37
	TEMH-4.9/20	5568	18999	2	Ø 300	2 x 1650	2 x 75	220	1.96	1.06	220	49
	TEMH-8.0/40	9091	31018	2	Ø 400	2 x 3400	2 x 180	220	2.10	1.11	220	68
	TEMH-11.2/55	12727	43452	2	Ø 400	2 x 3400	2 x 180	220	2.58	1.35	220	77
	TEMH-16.2/80	18409	62812	2	Ø 500	2 x 6300	2 x 550	380	4.65	1.72	220	120
	TEMH-21.3/105	24205	82586	2	Ø 500	2 x 6300	2 x 550	380	4.65	1.72	220	132
	TEMH-25.0/125	28409	96932	3	Ø 500	3 x 6300	3 x 550	380	6.81	2.44	220	182
	TEMH-32.6/160	37045	126399	3	Ø 500	3 x 6300	3 x 550	380	6.81	2.44	220	193
	TEMH-37.6/185	42727	145785	4	Ø 500	4 x 6300	4 x 550	380	8.97	3.02	220	230
TEMH-42.7/210	48523	165560	4	Ø 500	4 x 6300	4 x 550	380	8.97	3.02	220	260	
TEMH-57.4/280	65227	222555	4	Ø 500	4 x 6300	4 x 550	380	12.04	3.02	220	290	

Nominal capacity rated at room temperature of 0 deg C, Delta T of 8K